



RV[®]

Precision Reduction Gear RV[™]
Precision Gearhead

RD2

RD2 Series

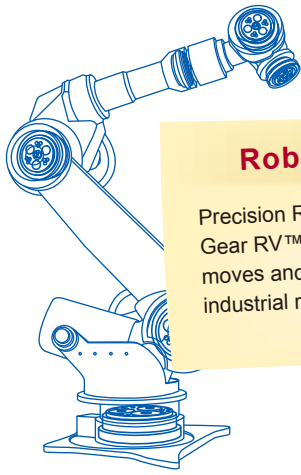


Nabtesco[®]



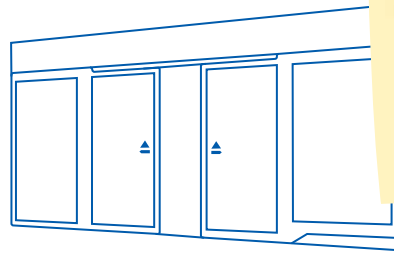
Contributing to Society with Our 'Moving it. Stopping it.' Technologies

Nabtesco manufactures products which are used in everyday life. Our high-accuracy components are essential for moving objects; they may be rarely visible, but are the foundation of everyday objects that you see moving and wonder how. Nabtesco's technologies are found throughout objects that move and stop people's lives.



Robots

Precision Reduction Gear RV™ precisely moves and stops industrial robots.

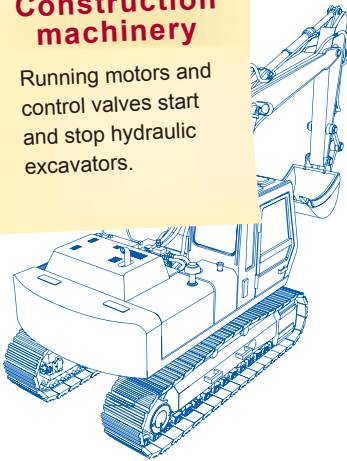


Doors

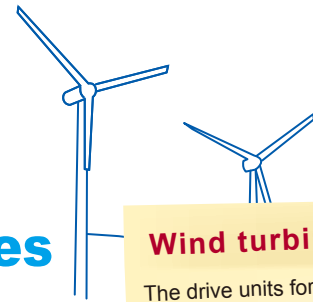
Nabtesco technology opens and closes automatic doors in buildings and platform doors at train stations.

Construction machinery

Running motors and control valves start and stop hydraulic excavators.



Nabtesco technologies are at work in many areas of our daily lives.

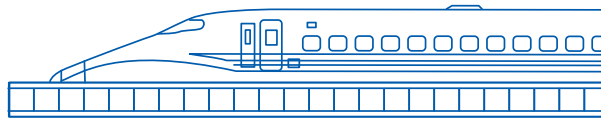


Wind turbines

The drive units for wind turbine generators control the orientation of the wind turbine and the angle of the blades.

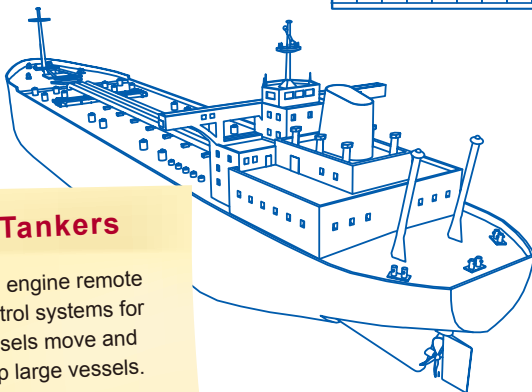
Shinkansen bullet trains

Brakes and doors ensure safety and comfort for the world-famous Shinkansen bullet trains.



Tankers

The engine remote control systems for vessels move and stop large vessels.



Airplanes

The flight control systems are crucial for the flight safety of aircraft.



CONTENTS

Who is Nabtesco?

The key word of Nabtesco is 'motion control.' We use our strengths in the fields of component and systems technologies to develop highly creative products. Through the Nabtesco Group as a whole, we can also utilize our advantage of expertise to maximum effect in order to further enhance these strengths.

In the air, on land and at sea, we have a large share in various fields of both international and domestic markets. Nabtesco will continue to evolve by utilizing its strengths in many fields and by exploring the possibilities of the future.



Nabtesco®

April 2002 Initiation of hydraulic equipment business alliance
October 2003 Business merger

The business alliance between Teijin Seiki and NABCO on hydraulic equipment projects was the beginning of a mutual confirmation by the companies of the other's product configuration, core technologies, corporate strategies and corporate culture. This led to a common recognition that a business merger would be an extremely effective means of increasing corporate value and achieving long-term development. Based on this mutual judgment, in 2003 an equity transfer was conducted to establish Nabtesco as a pure holding company, with both firms as wholly owned subsidiaries. After a year of preparation, both companies were absorbed and amalgamated by means of a short form merger, and Nabtesco was transitioned to an operating holding company.

02-03	What is the RD2 series?
04-05	RD2 series product line
06-07	Solutions from Nabtesco
08	Main applications
09	Principle of operation
10	Product code selection
11	Overview of features (listed by input type)

Straight Input Type

13	Product codes / configuration diagram
14-15	Rating table
16-39	External dimensions

Right Angle Input Type

41	Code description / configuration diagram
42-43	Rating table
44-67	External dimensions

Pulley Input Type

69	Code description / configuration diagram
70	Rating table
71-81	External dimensions

Motor Flange / Bushing

83-85	Selection table of motor flange code and bushing code
86-103	External dimensions

Option: Base Flange

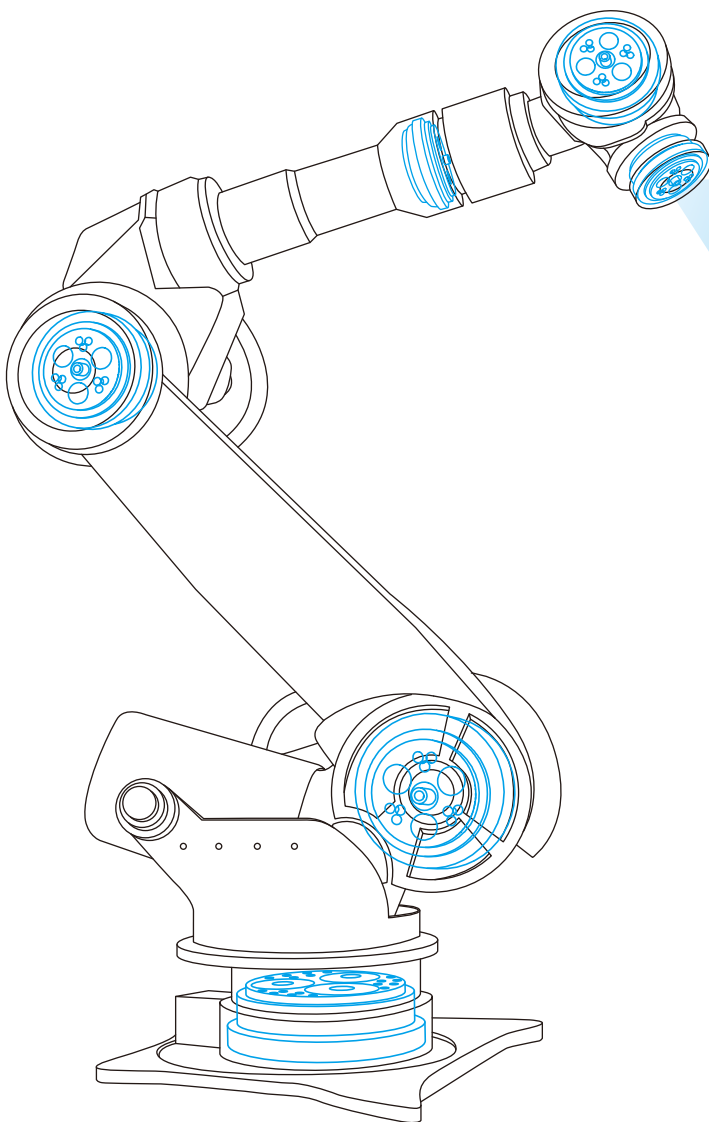
105-106	Code description / configuration diagram
107-118	External dimensions

Technical Information

120	Considering the use of RD2 series
121	Glossary
	Product selection
122	Product selection flowchart
123-130	Model code selection examples
131	Allowable moment diagram
	Technical data
132-136	No-load running torque
137	Calculation of tilt angle and torsion angle
138-139	Engineering notes
	Appendix
140	Inertia moment calculation formula
141	Troubleshooting checksheet
142-143	Introduction of our website
144	Order Information Sheet
Back inside cover	Warranty

RD2: The gear that will change everything

A highly developed Precision Reduction Gear RV™ that offers high quality, high performance and ease of use.



Industrial robot



Precision Reduction Gear RV™

Precision Reduction Gear RV™ enables the precision movements of industrial robots and also ensures their strength. Precision Reduction Gear RV™ has been praised for being compact and lightweight while offering high precision and rigidity. Since its debut in 1985, Precision Reduction Gear RV™ has been selected for use by most major industrial robot manufacturers around the world.



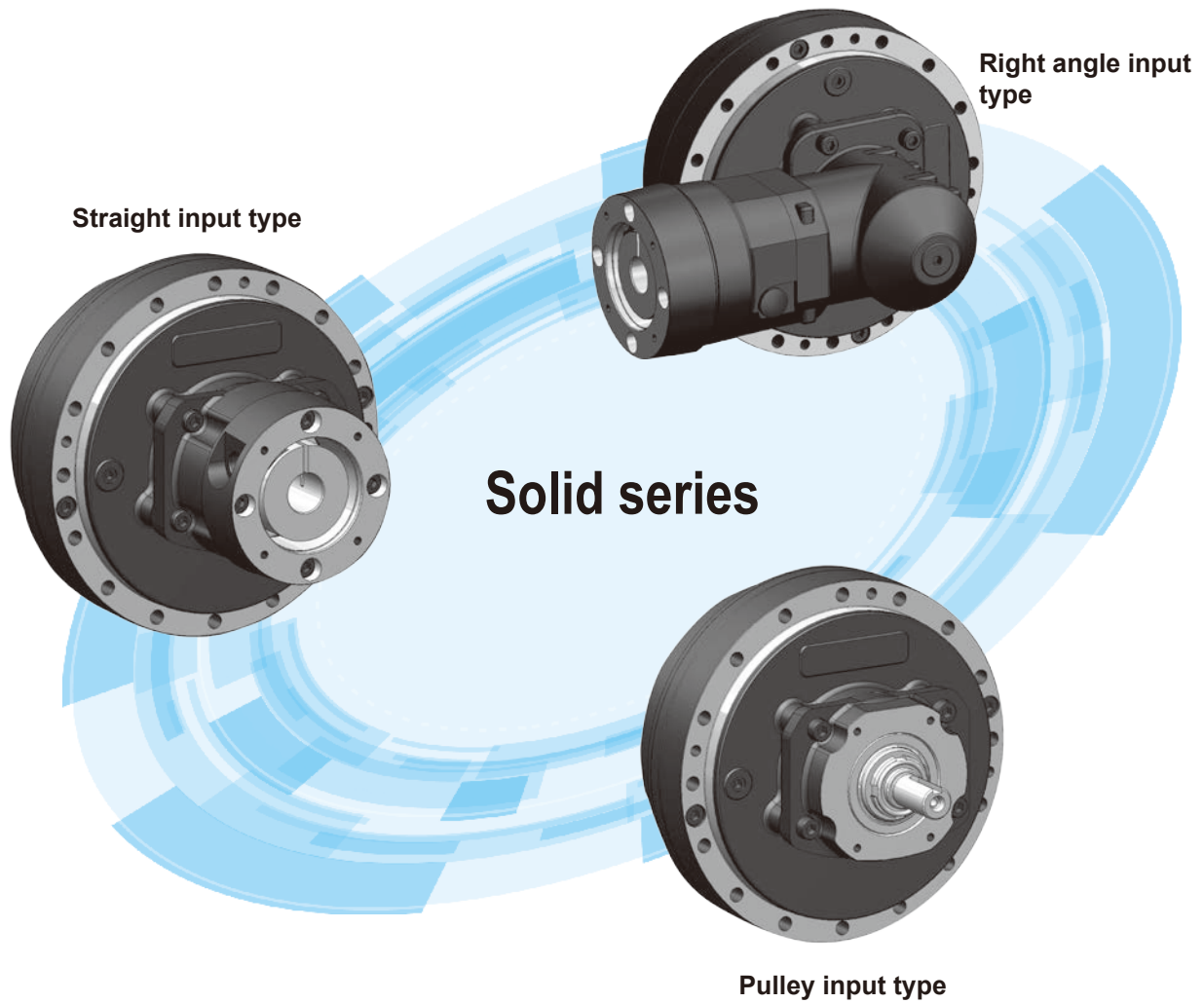
Precision Gearhead RD2 Series

Nabtesco took the Precision Reduction Gear RV™, which is highly trusted and valued in the industry and created the RD Series. The RD Series is a pre-lubricated model with a sealed structure that can be easily mounted on all major motors. The RD2 Series, a new version with three input configurations, offers customers dramatically expanded freedom of design.

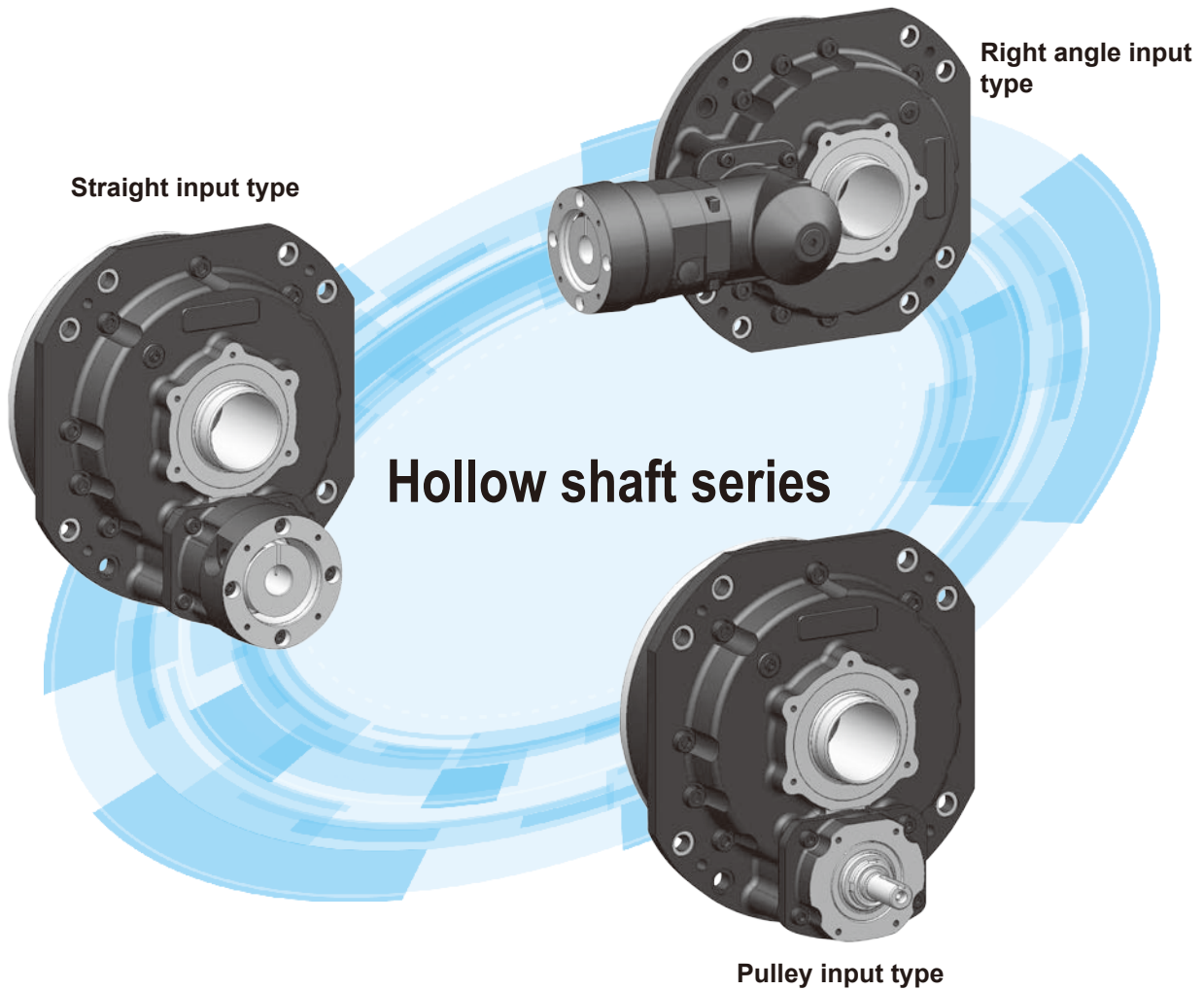
Simple
mounting

Motor fastener components

RD2 Series: Designed to meet a variety of customer needs



- ...Benefits** 1 Allows compact equipment design
- 3... Advantages** 1 Flexibility
- ...User-friendly** 1 Many ratios available



2 Reduces the number of components needed

3 High reliability

2 Pre-lubricated
Our specialized, environmentally conscious lubricant
RVGREASE™ LB00

3 Easy mount

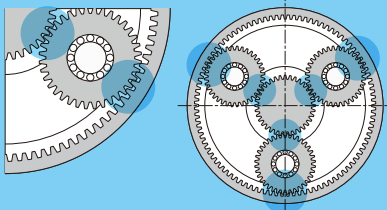
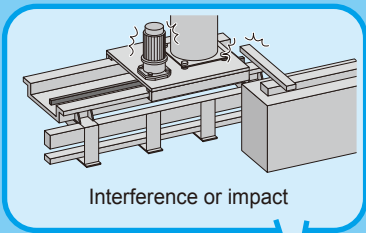
2 Easy installation

3 Fluorine is used for all oil seals

Nabtesco's RD2 Series offer a variety of solutions

Standard Epicyclic Gear

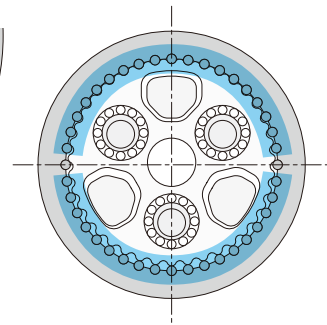
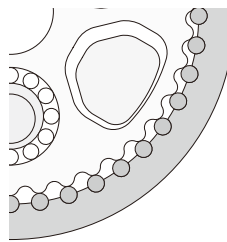
Low contact ratio and low resistance to impacts



Typical gear is damaged by shock load

RD2 Series

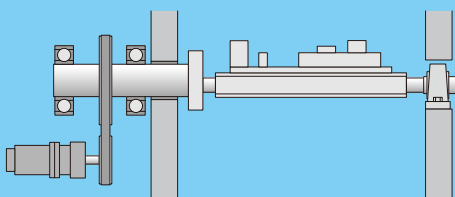
Use of pin/gear mechanism results in high contact ratio and considerable impact resistance



High reliability for your machine

Typical equipment

Bearings and external support table are needed

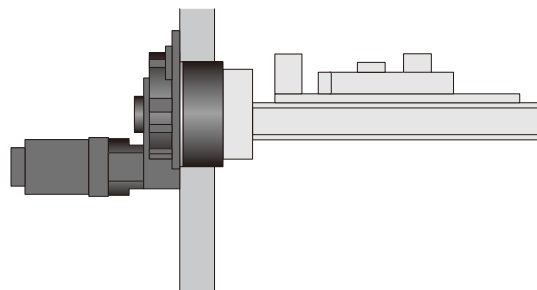


More components
Higher assembly cost
Higher design cost

RD2 Series

Integrated large-capacity

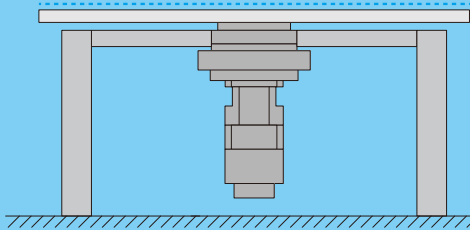
⇒ External bearings and support table are not needed



Reduced number of components
Reduced cost of assembly
Reduced cost of design

■ Typical equipment

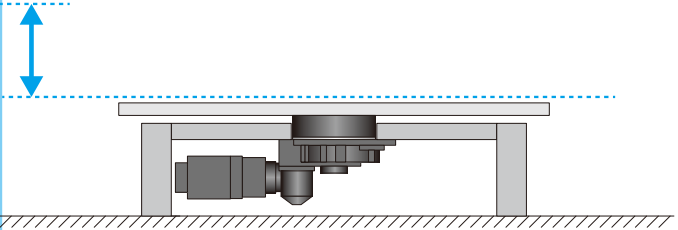
Reduction gear thickness + motor length + space for motor removal



Equipment needs increased space

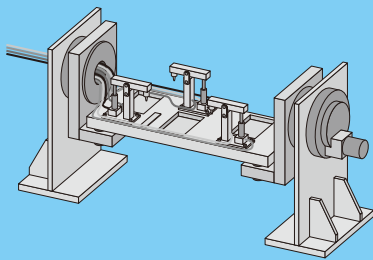
■ RD2 Series

Only the thickness of the reduction gear itself



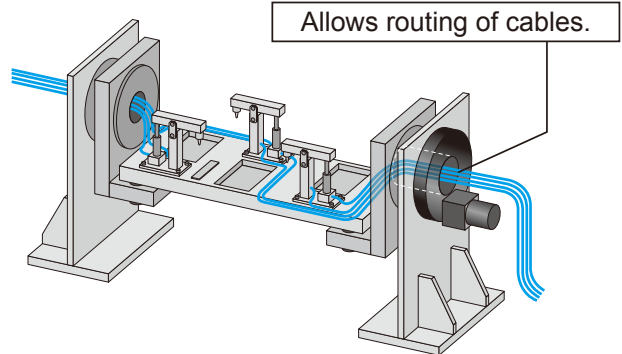
Right angle and pulley models can be used for a lower profile

■ Typical equipment



Cable routing is difficult

■ RD2 Series

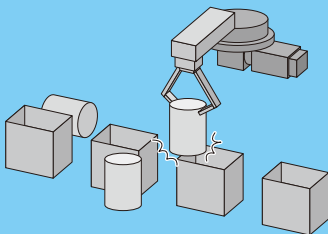


Allows routing of cables.



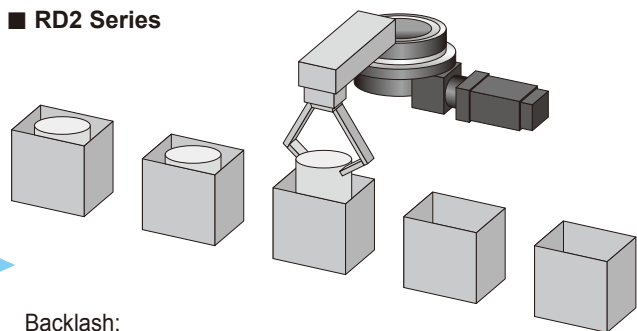
Hollow shaft series also available
Improved layout

■ Typical equipment



High backlash leads to poor repeatability

■ RD2 Series



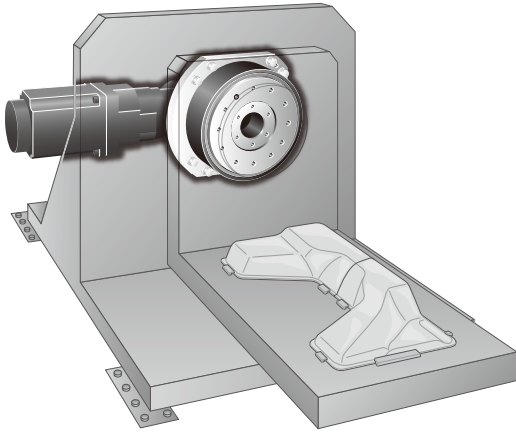
Backlash:
1 arc.min for straight input and pulley input type
1.5 arc.min for right angle input type (except some models)



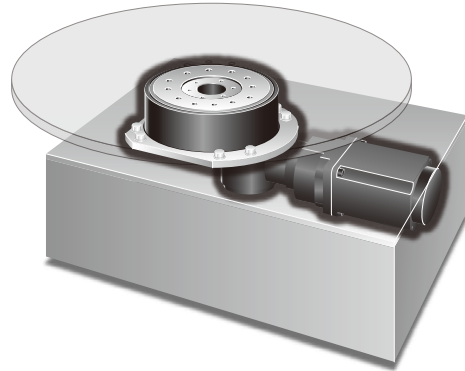
Highly precise positioning is possible

Examples of Uses for the RD2 Series (for reference)

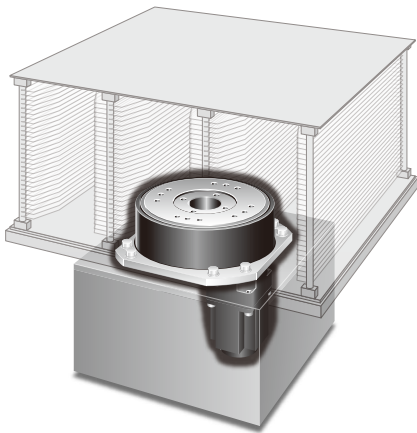
■ Positioner (tilting axis)



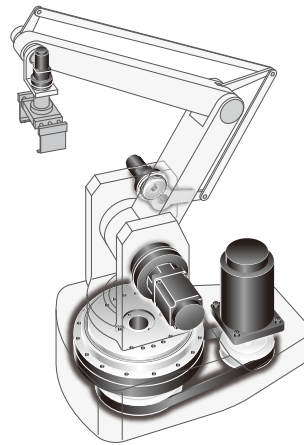
■ Positioner (rotary axis)



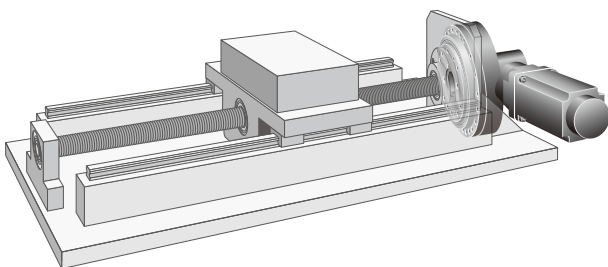
■ Glass Substrate/ Wafer Rotation and Positioning



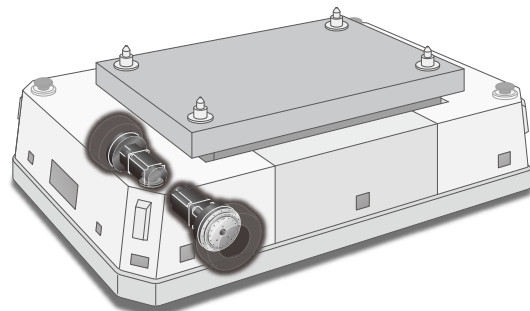
■ Palletizing Robots



■ Ball Screw Drive



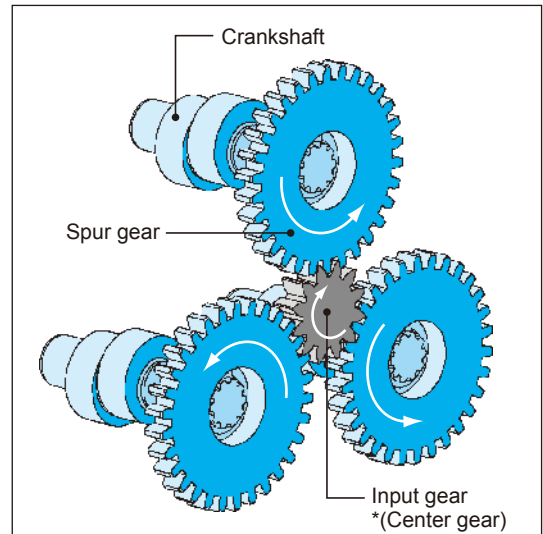
■ AGV Drive



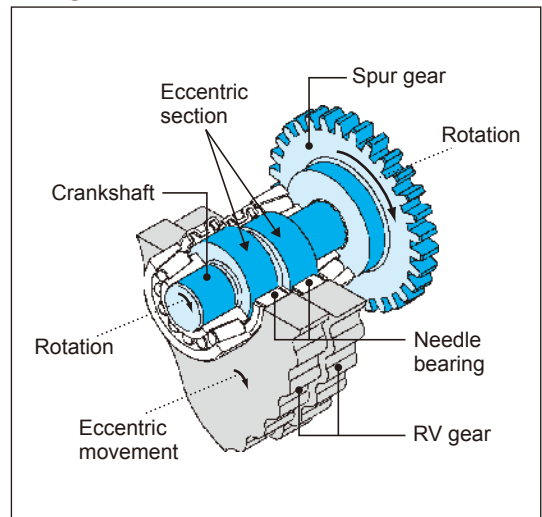
Principle of operation

1. Rotation of the servomotor is transmitted through the input gear to the spur gears, and the speed is reduced according to the gear ratio between the input gear and the spur gears. <Fig. 1>
Note: For the hollow shaft series, the rotation of the servomotor is transmitted from the input gear through the center gear to the spur gears.
2. Since the crankshafts are directly connected to the spur gears, they have the same rotational speed as the spur gears. <Fig. 1>
3. Two RV gears are mounted around the needle bearings on the eccentric section of the crankshaft. (In order to balance the equal amount of force, two RV gears are mounted.) <Fig. 2>
4. When the crankshafts rotate, the two RV gears mounted on the eccentric sections also revolve eccentrically around the input axis (crank movement). <Fig. 2>
5. Pins are arrayed in a constant pitch in the grooves inside the case. The number of pins is just one larger than the number of RV gear teeth. <Fig. 3>
6. As the crankshafts revolve one complete rotation, the RV gears revolve eccentrically one pitch of a pin (crank movement), with all the RV teeth in contact with all of the pins. As a result, 1 RV gear tooth moves in the opposite direction of the crankshaft rotation. <Fig. 3>
7. The rotation is then output to the shaft (output shaft) via the crankshaft so that the crankshaft rotation speed can be reduced in proportion to the number of pins. <Fig. 3>
8. The total reduction ratio is the product of the first reduction ratio multiplied by the second reduction ratio.
Note: For the hollow shaft series, the rotation of the servomotor is transmitted from the input gear through the center gear to the spur gears.

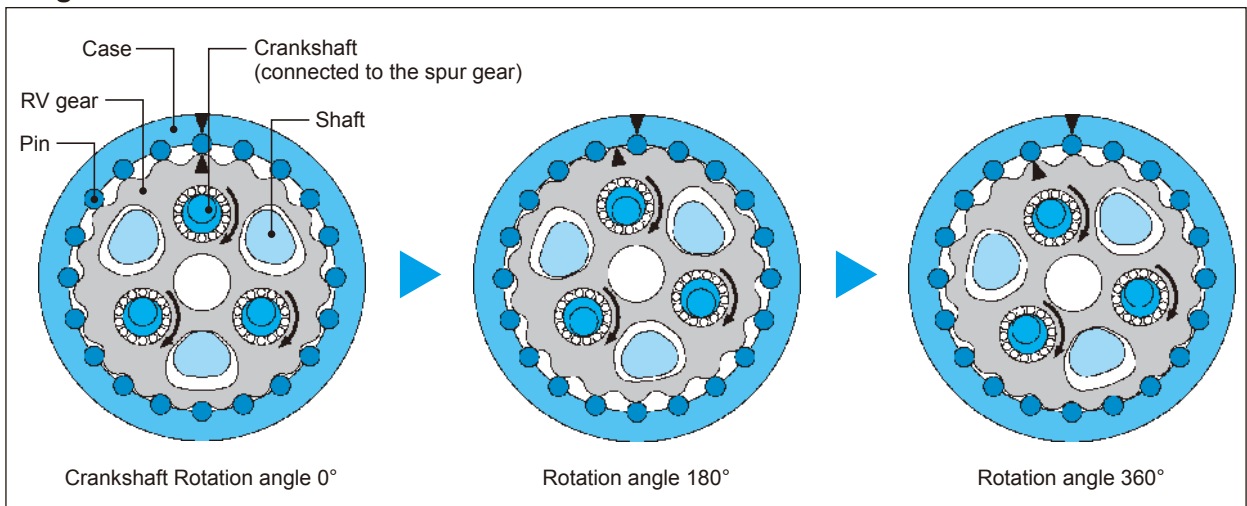
■ Fig. 1. First reduction section



■ Fig. 2. Crankshaft section



■ Fig. 3. Second reduction section



Product code selection



<https://precision.nabtesco.com/>

1. Product Selection


- Select “Simple Product Selection” from “Product Selection”.

You can designate the applicable model by simply clicking on the items in a sequence of five steps according to the product type and the motor for use.

The motor can be selected in accordance with the watt value or from the series of the manufacturer of the motor for use.


STEP1
Please choose a product type

Actuator




Precision Reduction Gears
· Servomotor
· Servomotor coupling parts included
· Sealed With grease

Gearhead



Precision Reduction Gears
· Servomotor coupling parts included
· Sealed With grease


Component



Precision reduction gear single unit



Result of selection



RDS-E Series
Advanced precision reduction gearhead model(Solid Series)

RDS-006E	RDS-020E
RDS-040E	RDS-080E
RDS-160E	RDS-320E


- ▶ When you select the specified motor from the manufacturer, the display also shows the codes of the motor flange and the bushing that are applicable to the motor.

2. CAD Data Download

You may also download CAD data, either 3D CAD (STEP file) or 2D CAD (DXF file).

Note: Free membership registration is required to download the CAD data.

Gearhead



RDS-E Series

Product CAD Drawing 2D


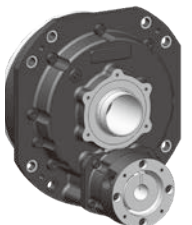



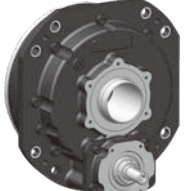
- RDS-006E-xxx-G0-ZZ-ZZ_ver1.dxf
- RDS-006E-xxx-G1-ZZ-ZZ_ver1.dxf
- RDS-020E-xxx-G0-ZZ-ZZ_ver1.dxf
- RDS-020E-xxx-G1-ZZ-ZZ_ver1.dxf
- RDS-040E-xxx-G2-ZZ-ZZ_ver1.dxf
- RDS-040E-xxx-G3-ZZ-ZZ_ver1.dxf
- RDS-080E-xxx-G2-ZZ-ZZ_ver1.dxf

Product CAD Drawing 3D

- RDS-006E-xxx-G0-ZZ-ZZ.STEP
- RDS-006E-xxx-G1-ZZ-ZZ.STEP
- RDS-020E-xxx-G0-ZZ-ZZ.STEP
- RDS-020E-xxx-G1-ZZ-ZZ.STEP
- RDS-040E-xxx-G2-ZZ-ZZ.STEP
- RDS-040E-xxx-G3-ZZ-ZZ.STEP
- RDS-080E-xxx-G2-ZZ-ZZ.STEP

Note: The above website displays are only images from the current site.

Overview of features (listed by input type)

Input type	Reduction gear configuration	Product	Product features	Corresponding speed ratio	Allowable acceleration/ deceleration torque (Nm)	Items not included	External dimensions
Straight input type	Solid series		<ul style="list-style-type: none"> The total length in the axial direction has been reduced by up to 15% as compared to the previous series. 	31 to 258	117 to 7,840	Servomotor	P.16 ▼ P.27
	Hollow shaft series						P.28 ▼ P.39
Right angle input type	Solid series		<ul style="list-style-type: none"> Equipment can be more compact Can be installed in confined space Table can be made shorter 	31 to 258	117 to 7,840	Servomotor	P.44 ▼ P.55
	Hollow shaft series						P.56 ▼ P.67
Pulley input type	Solid series		<ul style="list-style-type: none"> Belt input is possible Motor can be installed anywhere Speed ratio can be changed using pulley 	57 to 157	412 to 7,840	Servomotor pulley	P.71 ▼ P.75
	Hollow shaft series						P.76 ▼ P.81

Straight input type

Right angle input type

Pulley input type

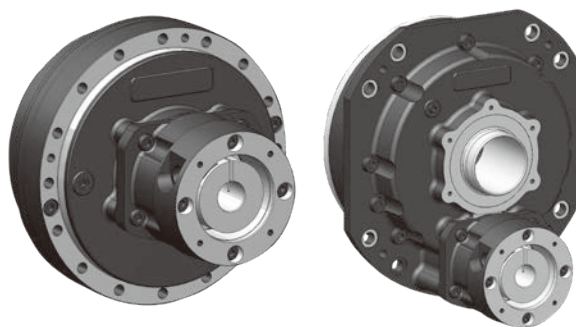
Motor flange / bushing

Option: Base flange

Technical Information



Straight Input Type



Straight input type product code / configuration diagram

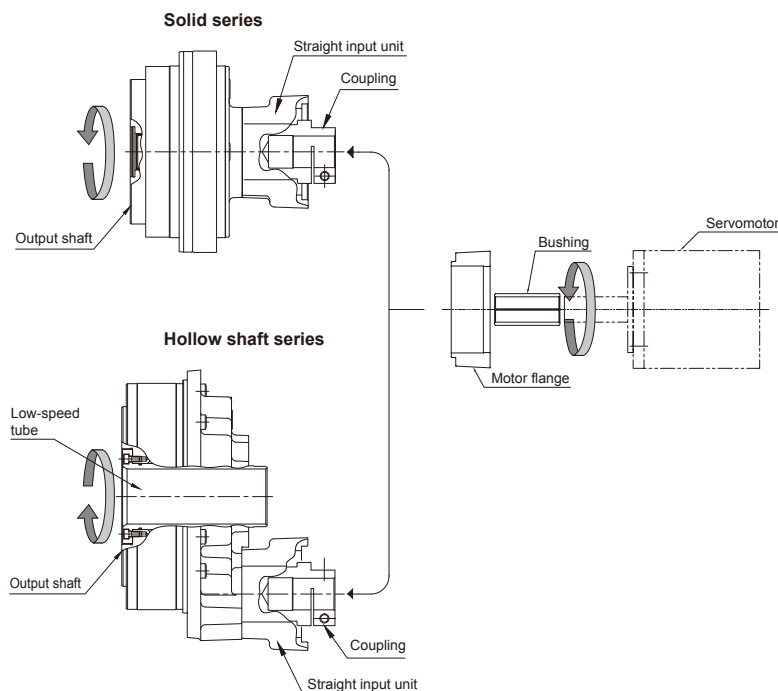
Product code

RD S - 040 E - 153 - G2 - CF - 1E

Model Code			Ratio Code	Input unit code	Motor flange code	Bushing code
Straight Input code	Torque code	Series code				
S	006	E: Solid series	031, 043, 054, 079, 103	G0 : Corresponding motor shaft diameter Ø8 to 14 G1 : Corresponding motor shaft diameter Ø14 to 24	2-alphabetic character code ZZ: None (The code will differ depending on motor to be mounted.)	2-letter code of a numeric and an alphabetic characters ZZ: None (The code will differ depending on motor to be mounted.)
	020		041, 057, 081, 105, 121, 161	G0 : Corresponding motor shaft diameter Ø8 to 14 G1 : Corresponding motor shaft diameter Ø14 to 24		
	040		041, 057, 081, 105, 121, 153	G2 : Corresponding motor shaft diameter Ø14 to 24 G3 : Corresponding motor shaft diameter Ø25 to 35		
	080		041, 057, 081, 101, 121, 153	G2 : Corresponding motor shaft diameter Ø14 to 24 G3 : Corresponding motor shaft diameter Ø25 to 35		
	160		066, 081, 101, 121, 145, 171	G4 : Corresponding motor shaft diameter Ø19 to 28 G5 : Corresponding motor shaft diameter Ø32 to 42		
	320		066, 081, 101, 121, 141, 185	G4 : Corresponding motor shaft diameter Ø19 to 28 G5 : Corresponding motor shaft diameter Ø32 to 42		
	010	C: Hollow shaft series	081, 108, 153, 189, 243	G0 : Corresponding motor shaft diameter Ø8 to 14 G1 : Corresponding motor shaft diameter Ø14 to 24		
	027		100, 142, 184, 233	G0 : Corresponding motor shaft diameter Ø8 to 14 G1 : Corresponding motor shaft diameter Ø14 to 24		
	050		109, 153, 196, 240	G2 : Corresponding motor shaft diameter Ø14 to 24 G3 : Corresponding motor shaft diameter Ø25 to 35		
	100		101, 150, 210, 258	G2 : Corresponding motor shaft diameter Ø14 to 24 G3 : Corresponding motor shaft diameter Ø25 to 35		
	200		106, 156, 206, 245	G4 : Corresponding motor shaft diameter Ø19 to 28 G5 : Corresponding motor shaft diameter Ø32 to 42		
	320		115, 157, 207, 253	G4 : Corresponding motor shaft diameter Ø19 to 28 G5 : Corresponding motor shaft diameter Ø32 to 42		

Note: For selection of motor flange and bushing, see the selection tables on pages 83 – 85 or visit the Nabtesco website (URL : <https://precision.nabtesco.com/>).

Configuration diagram



Straight input type

Right angle input type

Pulley input type

Motor flange / bushing

Option: Base flange

Technical Information

Rating table Straight input type

Solid series

Model Code	Ratio code (Reduction ratio value)	Reduction Gear													External Dimensions
		T ₀	N ₀	K	T _{S1}	T _{S2}	N _{in}	N _S	N _{ro}	Backlash	Lost motion	Start-up Efficiency	M ₀	W _r	
		Rated Torque (Nm)	Rated Output Speed (rpm)	Life Rating (h)	Allowable Startup/Stop Torque (Nm)	Momentary maximum allowable torque (Nm)	Allowable Input Speed (Note 2) (rpm)	Allowable Output Speed (Note 2) (rpm)	Reference value to output speed during continuous operation at rated torque (rpm)	(arc.min.)	(arc.min.)	(%)	(Nm)	(N)	
RDS-006E	031 (31)	58	30	6,000	117	294	3,500	100	100	1.5	1.5	70	196	2,170	Input Unit Code : G0 ———P.16 Input Unit Code : G1 ———P.17
	043 (43)							81	76						
	054 (53.5)							65	63						
	079 (79)							44	44						
	103 (103)							34	34						
RDS-020E	041 (41)	167	15	6,000	412	833	3,500	75	75	1.0	1.0	75	882	7,785	Input Unit Code : G0 ———P.18 Input Unit Code : G1 ———P.19
	057 (57)							61	56						
	081 (81)							43	42						
	105 (105)							33	33						
	121 (121)							29	29						
	161 (161)							22	22						
RDS-040E	041 (41)	412	15	6,000	1,029	2,058	3,000	70	37	1.0	1.0	70	1,666	11,529	Input Unit Code : G2 ———P.20 Input Unit Code : G3 ———P.21
	057 (57)							53	35						
	081 (81)							37	34						
	105 (105)							29	29						
	121 (121)							25	25						
	153 (153)							20	20						
RDS-080E	041 (41)	784	15	6,000	1,960	3,920	3,000	70	34	1.0	1.0	75	2,156	13,146	Input Unit Code : G2 ———P.22 Input Unit Code : B3 ———P.23
	057 (57)							53	31						
	081 (81)							37	29						
	101 (101)							30	28						
	121 (121)							25	25						
	153 (153)							20	20						
RDS-160E	066 (66)	1,568	15	6,000	3,920	7,840	2,000	30	20	1.0	1.0	75	3,920	18,666	Input Unit Code : G4 ———P.24 Input Unit Code : G5 ———P.25
	081 (81)							25	18						
	101 (101)							20	16						
	121 (121)							17	15						
	145 (145)							14	14						
	171 (171)							12	12						
RDS-320E	066 (66)	3,136	15	6,000	7,840	15,680	2,000	30	15	1.0	1.0	80	7,056	28,066	Input Unit Code : G4 ———P.26 Input Unit Code : G5 ———P.27
	081 (81)							25	12						
	101 (101)							20	9						
	121 (121)							17	7						
	141 (141)							14	6						
	185 (185)							11	4						

Hollow shaft series

Model Code	Ratio code (Reduction ratio value)	Reduction Gear													External Dimensions		
		T ₀	N ₀	K	T _{S1}	T _{S2}	N _{in}	N _s	N _{To}	Backlash	Lost motion	Start-up Efficiency	M ₀	Wr			
		Rated Torque (Nm)	Rated Output Speed (rpm)	Life Rating (h)	Allowable Startup/Stop Torque (Nm)	Momentary maximum allowable torque (Nm)	Allowable Input Speed (Note 2) (rpm)	Allowable Output Speed (Note 2) (rpm)	Reference value to output speed during continuous operation at rated torque (rpm)				Allowable moment (Note 3) (Nm)	Allowable radial load (Note 8) (N)			
RDS-010C	081 (81)	98	15	6,000	245	490	3,500	43	43	1.0	1.0	65	686	5,755	Input Unit Code : G0 ———P.28 Input Unit Code : G1 ———P.29		
	108 (108)															32	32
	153 (153)															23	23
	189 (189)															19	19
	243 (243)															14	14
RDS-027C	100 (99.82)	265	15	6,000	662	1,323	3,500	35	35	1.0	1.0	70	980	6,533	Input Unit Code : G0 ———P.30 Input Unit Code : G1 ———P.31		
	142 (141.68)															25	25
	184 (184)															19	19
	233 (233.45)															15	15
RDS-050C	109 (109)	490	15	6,000	1,225	2,450	3,000	28	28	1.0	1.0	70	1,764	9,418	Input Unit Code : G2 ———P.32 Input Unit Code : G3 ———P.33		
	153 (152.6)															20	20
	196 (196.2)															15	15
	240 (239.8)															13	13
RDS-100C	101 (100.5)	980	15	6,000	2,450	4,900	3,000	30	20	1.0	1.0	80	2,450	11,802	Input Unit Code : G2 ———P.34 Input Unit Code : G3 ———P.35		
	150 (150)															20	17
	210 (210)															14	14
	258 (258)															12	12
RDS-200C	106 (105.83)	1,960	15	6,000	4,900	9,800	2,000	19	16	1.0	1.0	80	8,820	31,455	Input Unit Code : G4 ———P.36 Input Unit Code : G5 ———P.37		
	156 (155.96)															13	12
	206 (206.09)															10	10
	245 (245.08)															8	8
RDS-320C	115 (115)	3,136	15	6,000	7,840	15,680	2,000	17	17	1.0	1.0	80	20,580	57,103	Input Unit Code : G4 ———P.38 Input Unit Code : G5 ———P.39		
	157 (157)															13	13
	207 (207)															10	10
	253 (253)															8	8

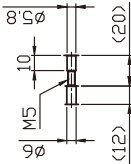
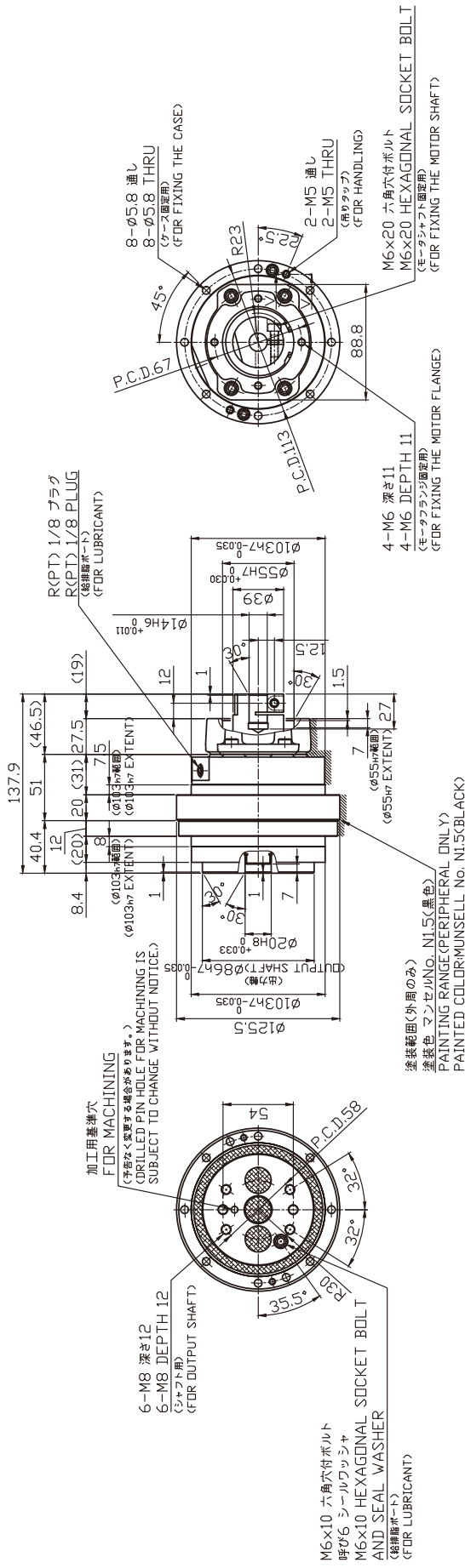
Notes:

1. The rating table shows the specification values including the entry fields for reduction gear values.
2. The allowable speed may be limited by heat depending on the operating rate. Make sure the surface temperature of the reduction gear does not exceed 60°C during use.
3. The allowable moment will differ depending on the thrust load. Check the allowable moment diagram (p.131).
4. For the moment of inertia of the reduction gears, refer to the external dimension drawings for the reduction gear.
5. For the moment rigidity and torsional rigidity, refer to the calculation of tilt angle and the torsion angle (p.137).
6. The rated torque is the value that produces the rated service life based on operation at the rated output speed; it does not indicate the maximum load. Refer to the "Glossary" (p.121) and the "Product selection flowchart" (p.122).
7. The specifications above are based on Nabtesco evaluation methods; this product should only be used after confirming that it is appropriate for the operating conditions of your system.
8. When the radial load is applied within dimension b (see page 137), use the reduction gear within the allowable radial load.

Straight input type
 Right angle input type
 Pulley input type
 Motor flange / bushing
 Option: Base flange
 Technical Information

Model Code: RDS-006E-XXX-G0 (Corresponding motor shaft diameter: Ø8 to Ø14)

Specifications and dimensions are subject to change without notice.

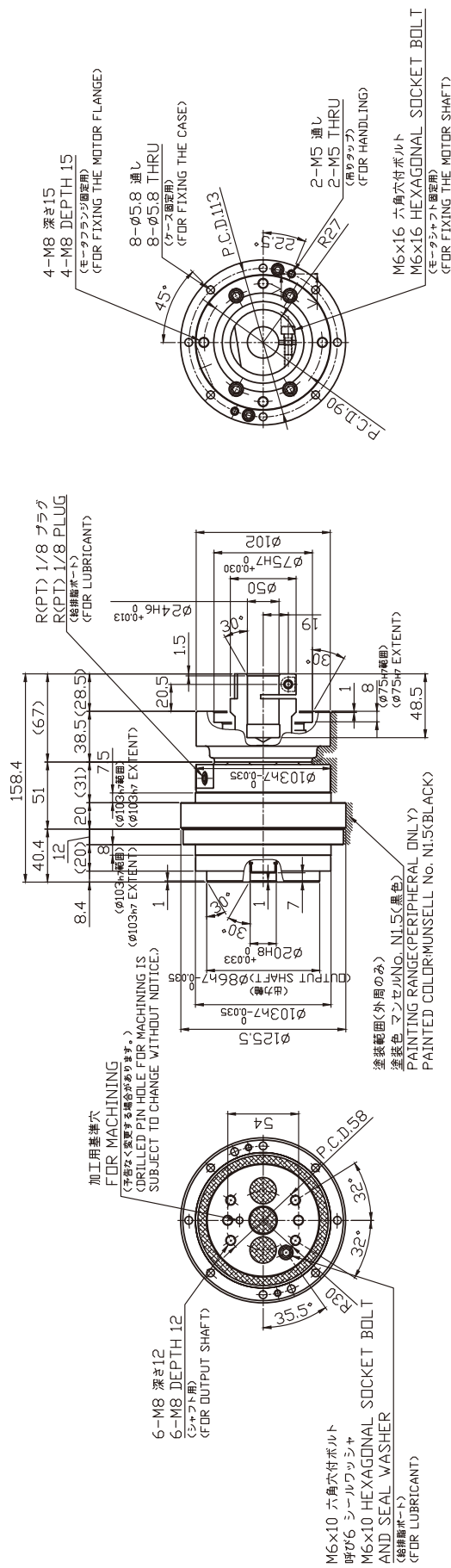


SECTION V-V

速比 Speed Ratio	型式コード Model Code	質量 Mass (kg)	巻速比 Ratio of Conversion (rpm)
31	RDS-006E-031-G0		1.16×10 ⁻⁴
43	RDS-006E-043-G0		1.14×10 ⁻⁴
54	RDS-006E-054-G0	5.7	1.14×10 ⁻⁴
79	RDS-006E-079-G0		1.13×10 ⁻⁴
103	RDS-006E-103-G0		1.12×10 ⁻⁴

Model Code: RDS-006E-XXX-G1 (Corresponding motor shaft diameter: Ø14 to Ø24)

Specifications and dimensions are subject to change without notice.



速比 Speed Ratio	型式コード Model Code	質量 Mass (kg)	慣性モーメント Moment of Inertia, I_p (cm^2/s^2) 入力軸計算 The Motor Axis Calculation ($\text{kg}\cdot\text{cm}^2$)
31	RDS-006E-031-G1		2.50×10 ⁻⁴
43	RDS-006E-043-G1		2.48×10 ⁻⁴
54	RDS-006E-054-G1	6.8	2.47×10 ⁻⁴
79	RDS-006E-079-G1		2.47×10 ⁻⁴
103	RDS-006E-103-G1		2.46×10 ⁻⁴

Technical Information

Option: Base flange

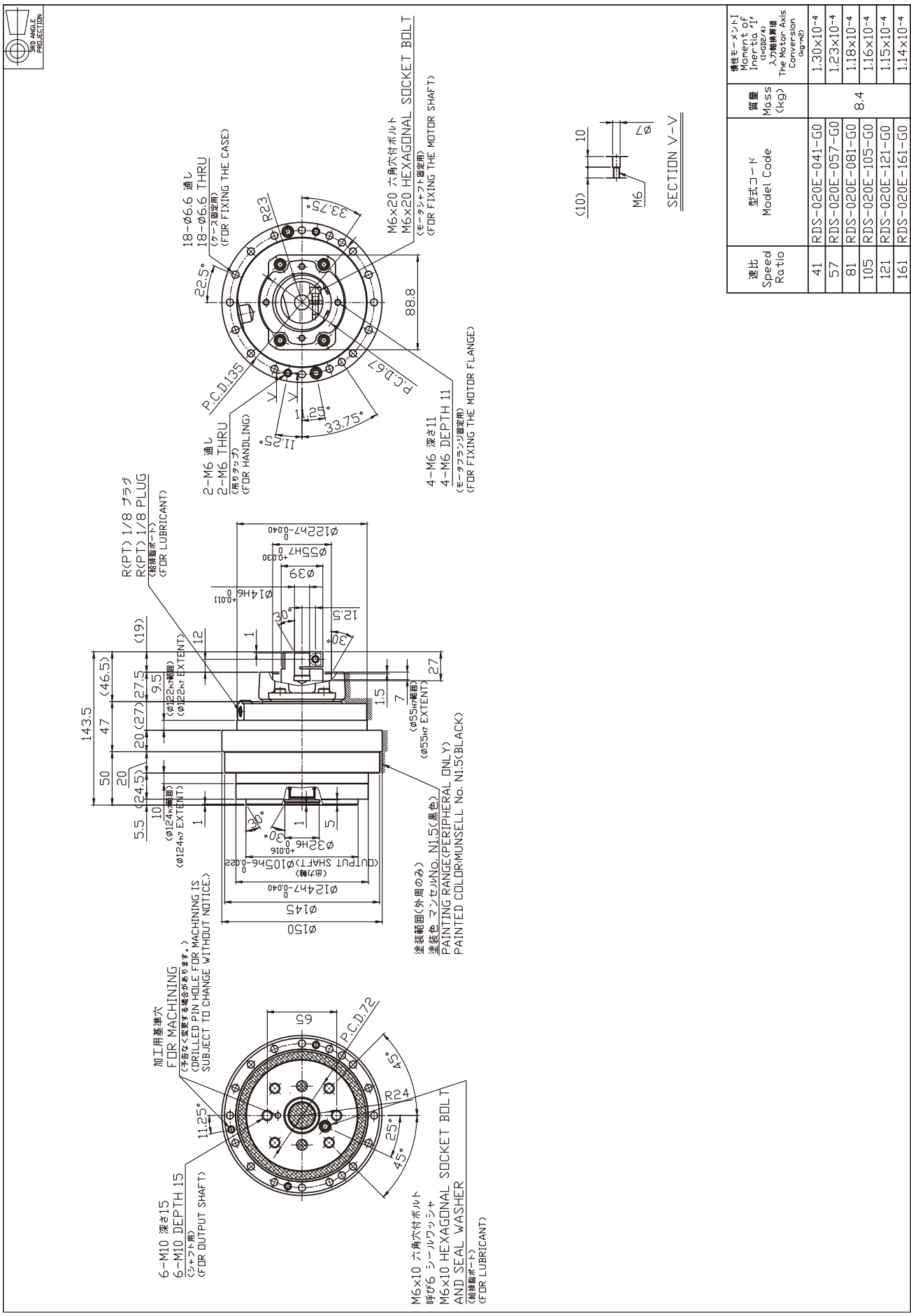
Pulley input type

Right angle input type

Straight input type

Model Code: RDS-020E-XXX-G0 (Corresponding motor shaft diameter: $\varnothing 8$ to $\varnothing 14$)

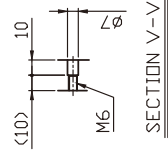
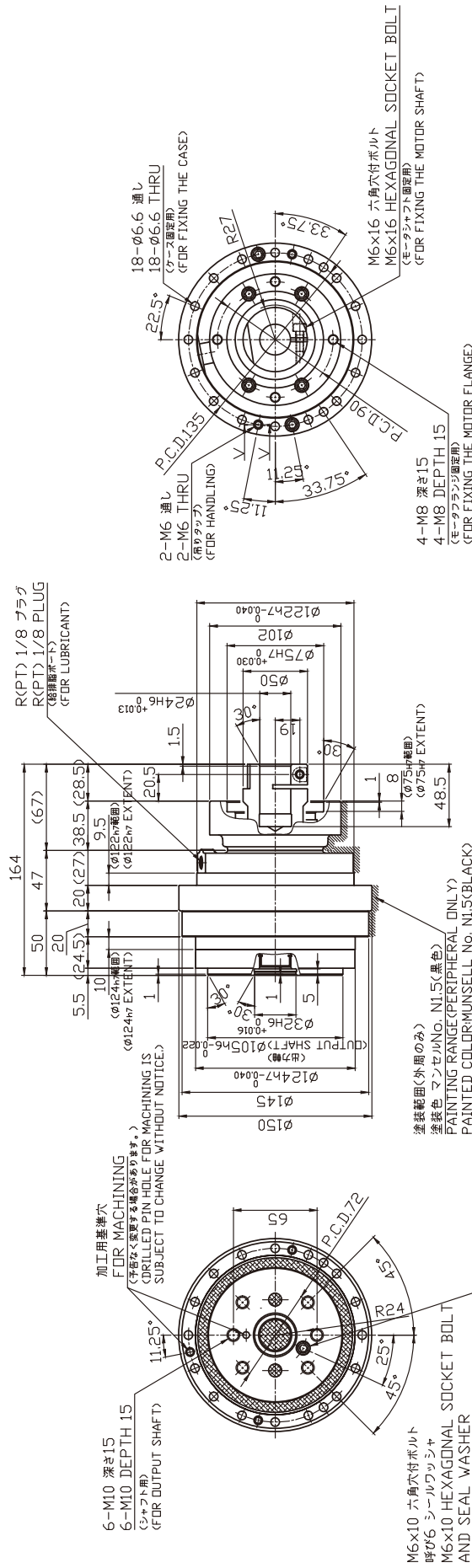
Specifications and dimensions are subject to change without notice.



速比 Speed Ratio	型式コード Model Code	質量 Mass (kg)	慣性モーメント Moment of Inertia J (kg-cm ²) 換算軸径 The Motor Axis Conversion (kg-cm ²)
41	RDS-020E-041-G0		1.30×10 ⁻⁴
57	RDS-020E-057-G0		1.23×10 ⁻⁴
81	RDS-020E-081-G0	8.4	1.18×10 ⁻⁴
105	RDS-020E-105-G0		1.16×10 ⁻⁴
121	RDS-020E-121-G0		1.15×10 ⁻⁴
161	RDS-020E-161-G0		1.14×10 ⁻⁴

Model Code: RDS-020E-XXX-G1 (Corresponding motor shaft diameter: Ø14 to Ø24)

Specifications and dimensions are subject to change without notice.



速比 Speed Ratio	型式コード Model Code	質量 Mass (kg)	慣性モーメント Moment of Inertia (g-cm ²)
41	RDS-020E-041-G1		2.64×10 ⁻⁴
57	RDS-020E-057-G1		2.57×10 ⁻⁴
81	RDS-020E-081-G1	9.5	2.52×10 ⁻⁴
105	RDS-020E-105-G1		2.50×10 ⁻⁴
121	RDS-020E-121-G1		2.49×10 ⁻⁴
161	RDS-020E-161-G1		2.48×10 ⁻⁴

Technical Information

Option: Base flange

Motor flange / bushing

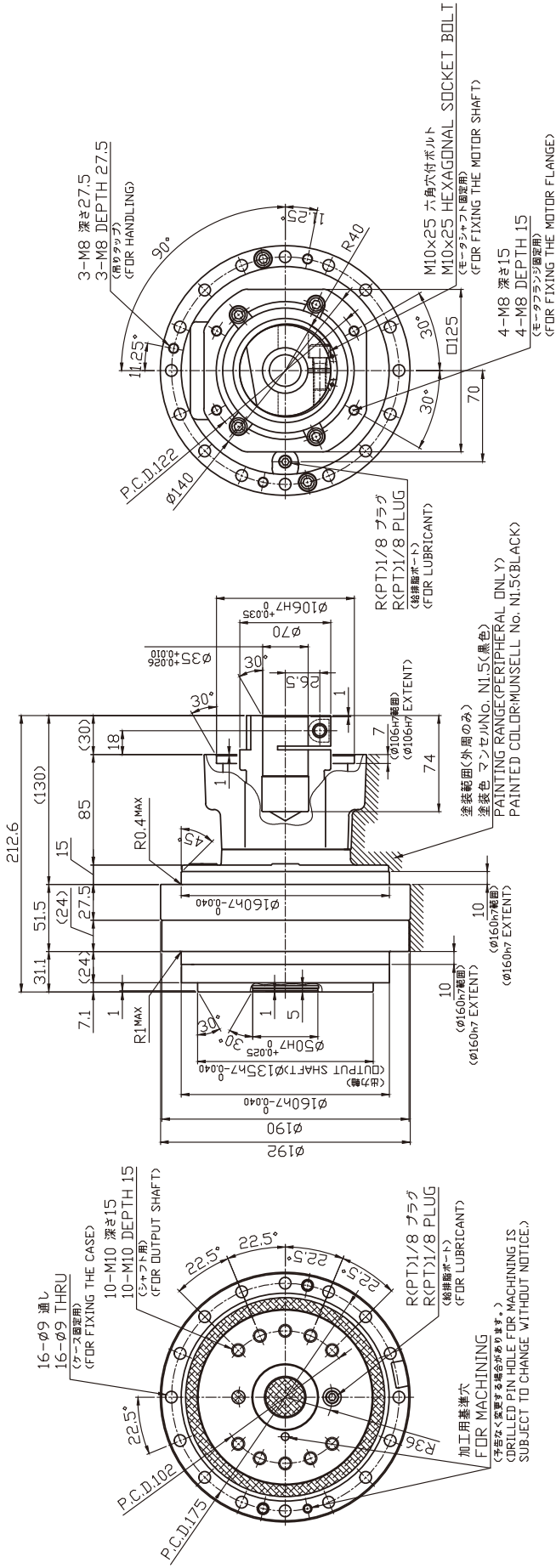
Pulley input type

Right angle input type

Straight input type

Model Code: RDS-040E-XXX-G3 (Corresponding motor shaft diameter: Ø25 to Ø35)

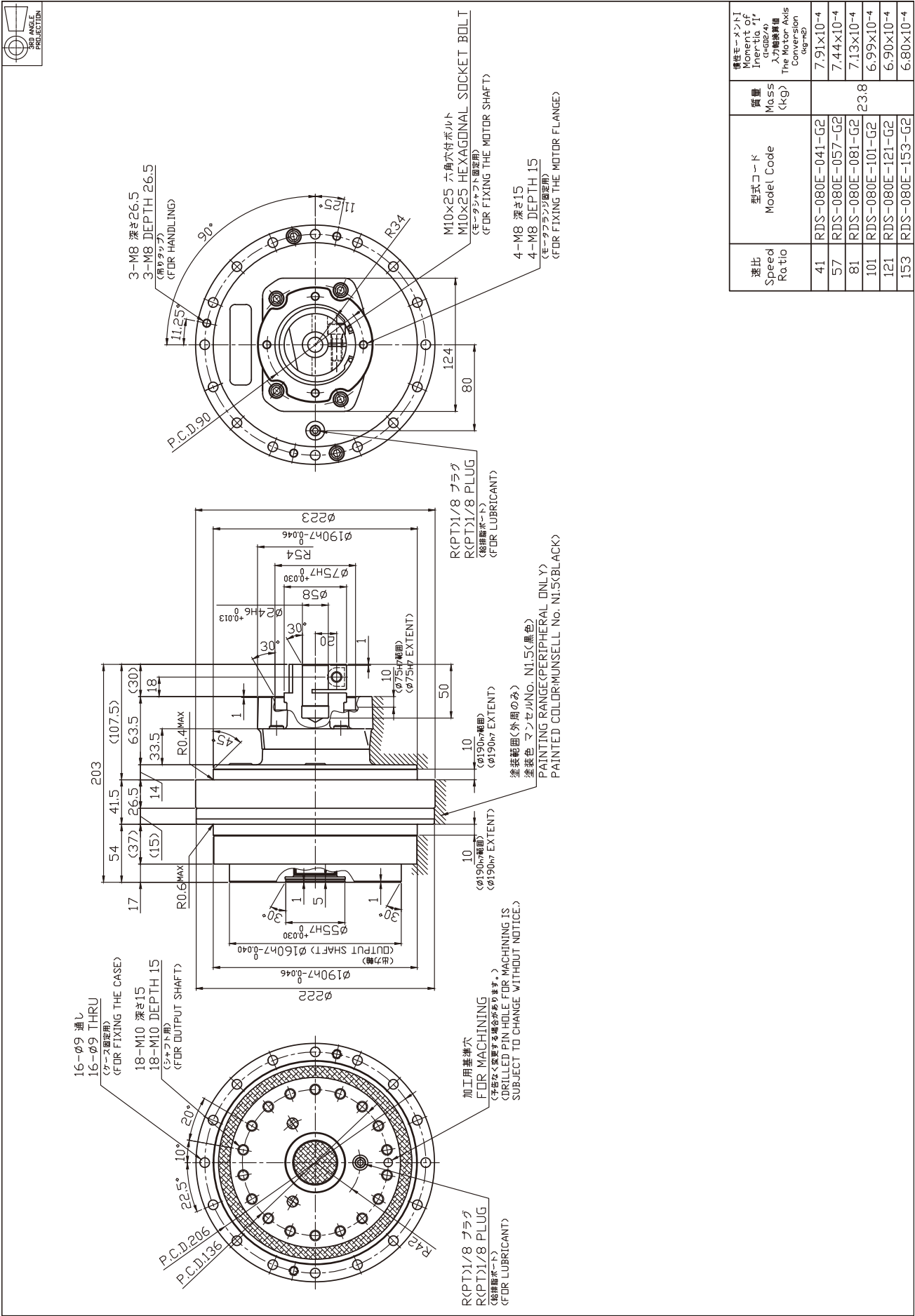
Specifications and dimensions are subject to change without notice.



速比 Speed Ratio	型式コード Model Code	質量 Mass (kg)	慣性モーメント Moment of Inertia (kg-cm ²)
41	RDS-040E-041-G3		1.31×10 ⁻³
57	RDS-040E-057-G3		1.28×10 ⁻³
81	RDS-040E-081-G3	20.0	1.27×10 ⁻³
105	RDS-040E-105-G3		1.26×10 ⁻³
121	RDS-040E-121-G3		1.26×10 ⁻³
153	RDS-040E-153-G3		1.25×10 ⁻³

Model Code: RDS-080E-XXX-G2 (Corresponding motor shaft diameter: $\varnothing14$ to $\varnothing24$)

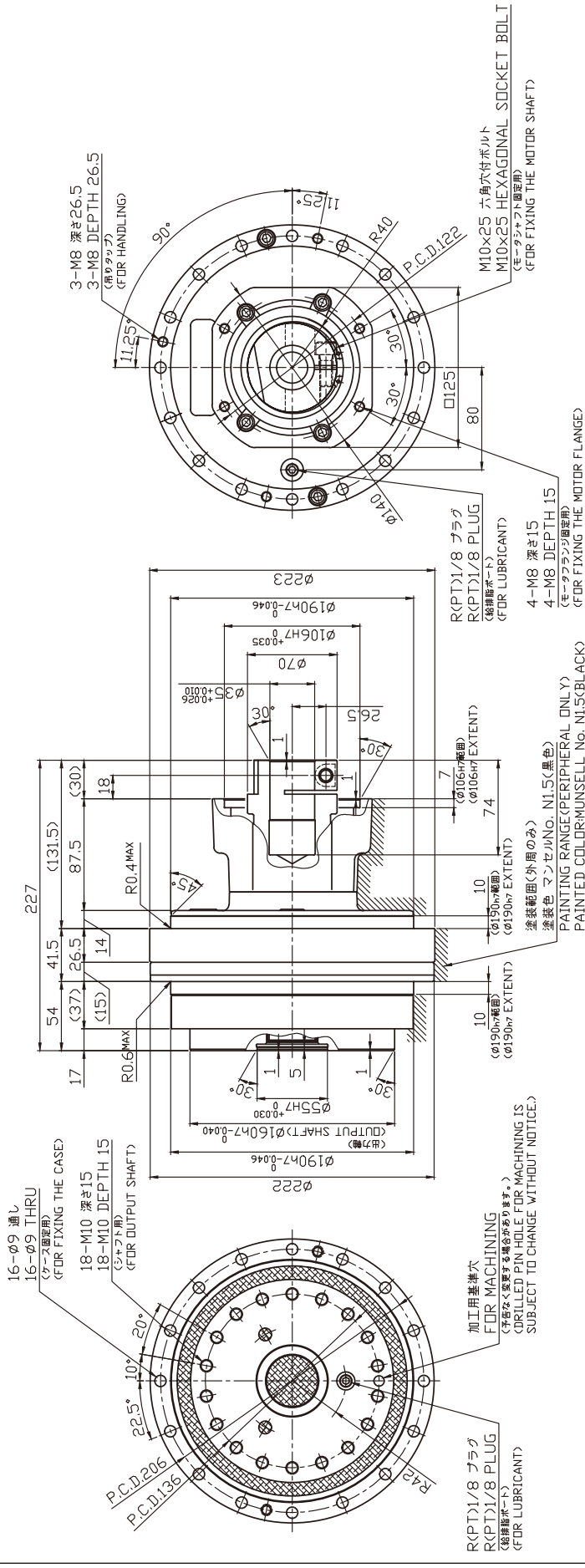
Specifications and dimensions are subject to change without notice.



速比 Speed Ratio	型式コード Model Code	質量 Mass (kg)	慣性モーメント Moment of Inertia I_p (cm^2/s^4) トルク慣性係数 The torque axis Coefficient of Inertia ($\text{kg}\cdot\text{m}^2$)
41	RDS-080E-041-G2	7.91×10 ⁻⁴	7.91×10 ⁻⁴
57	RDS-080E-057-G2	7.44×10 ⁻⁴	7.44×10 ⁻⁴
81	RDS-080E-081-G2	23.8	7.13×10 ⁻⁴
101	RDS-080E-101-G2	6.99×10 ⁻⁴	6.99×10 ⁻⁴
121	RDS-080E-121-G2	6.90×10 ⁻⁴	6.90×10 ⁻⁴
153	RDS-080E-153-G2	6.80×10 ⁻⁴	6.80×10 ⁻⁴

Model Code: RDS-080E-XXX-G3 (Corresponding motor shaft diameter: Ø25 to Ø35)

Specifications and dimensions are subject to change without notice.



速比 Speed Ratio	型式コード Model Code	質量 Mass (kg)	慣性モーメント Moment of Inertia The Motor Axis Conversion (kg·m ²)
41	RDS-080E-041-G3		1.38×10 ⁻³
57	RDS-080E-057-G3		1.33×10 ⁻³
81	RDS-080E-081-G3	26.3	1.30×10 ⁻³
101	RDS-080E-101-G3		1.29×10 ⁻³
121	RDS-080E-121-G3		1.28×10 ⁻³
153	RDS-080E-153-G3		1.27×10 ⁻³

Technical Information

Option: Base flange

Motor flange / bushing

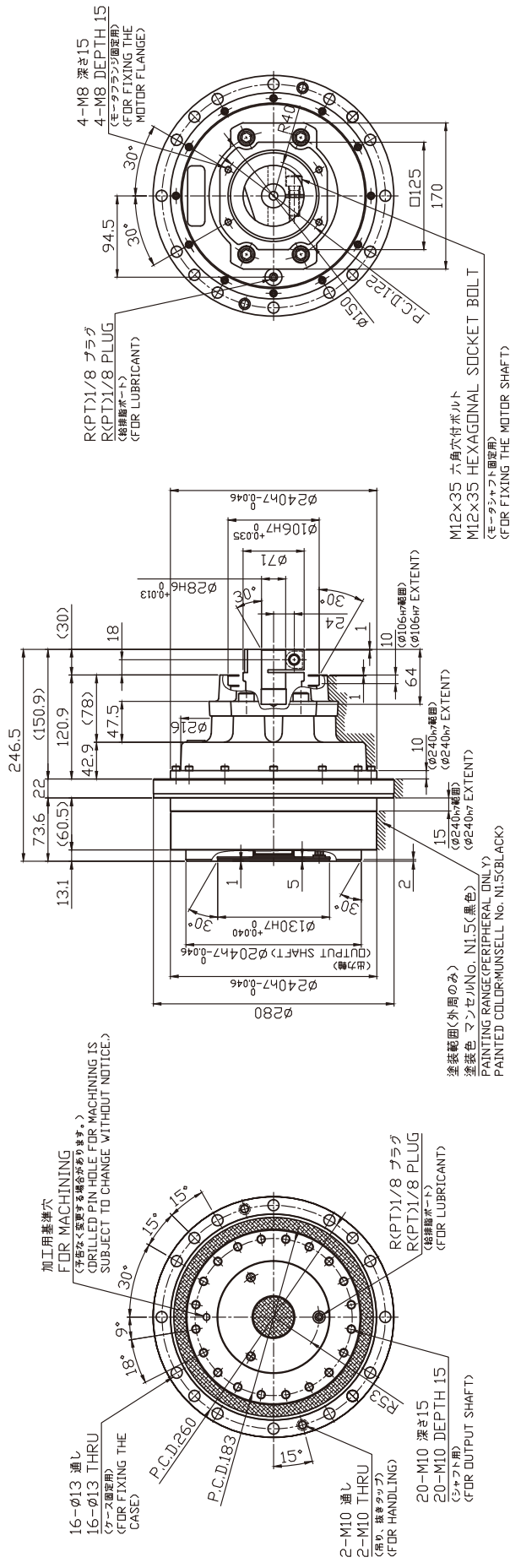
Pulley input type

Right angle input type

Straight input type

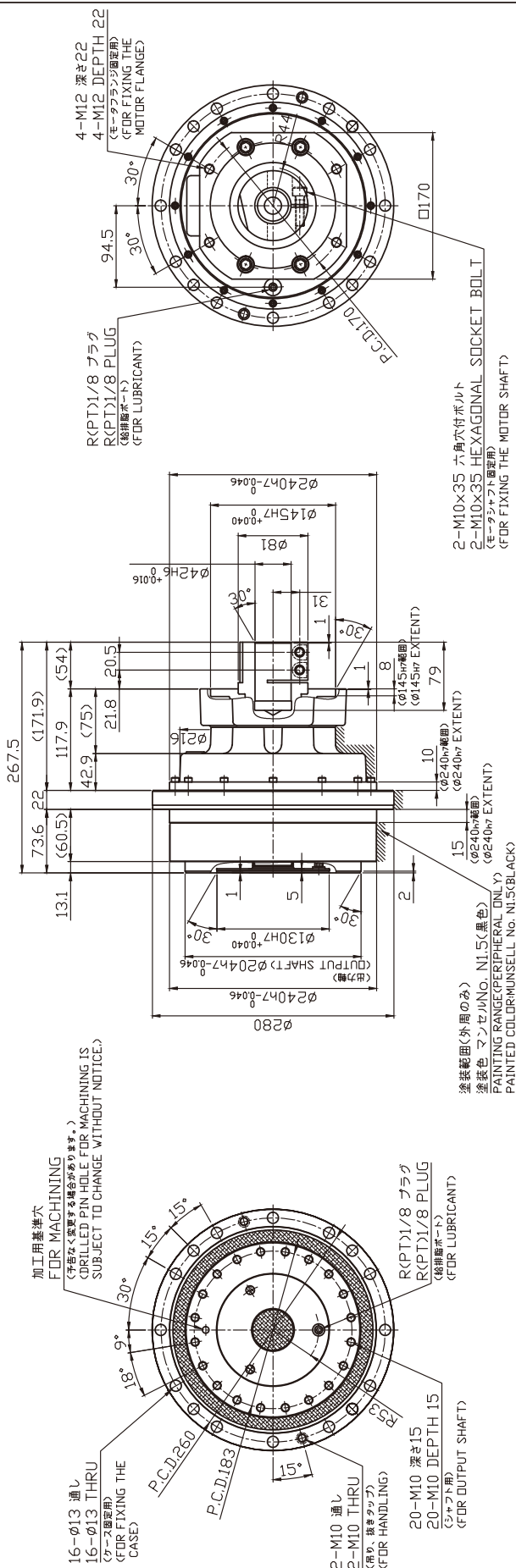
Model Code: RDS-160E-XXX-G4 (Corresponding motor shaft diameter: Ø19 to Ø28)

Specifications and dimensions are subject to change without notice.



速比 Speed Ratio	型式コード Model Code	質量 Mass (kg)	慣性モーメント Moment of Inertia, J ₁ (g-cm ²) 及 軸線まわりの The Moment of Inertia Conversion (kg-m ²)
66	RDS-160E-066-G4		2.08×10 ⁻³
81	RDS-160E-081-G4		2.03×10 ⁻³
101	RDS-160E-101-G4	43.4	1.98×10 ⁻³
121	RDS-160E-121-G4		1.94×10 ⁻³
145	RDS-160E-145-G4		1.91×10 ⁻³
171	RDS-160E-171-G4		1.88×10 ⁻³

Model Code: RDS-160E-XXX-G5 (Corresponding motor shaft diameter: Ø32 to Ø42) Specifications and dimensions are subject to change without notice.

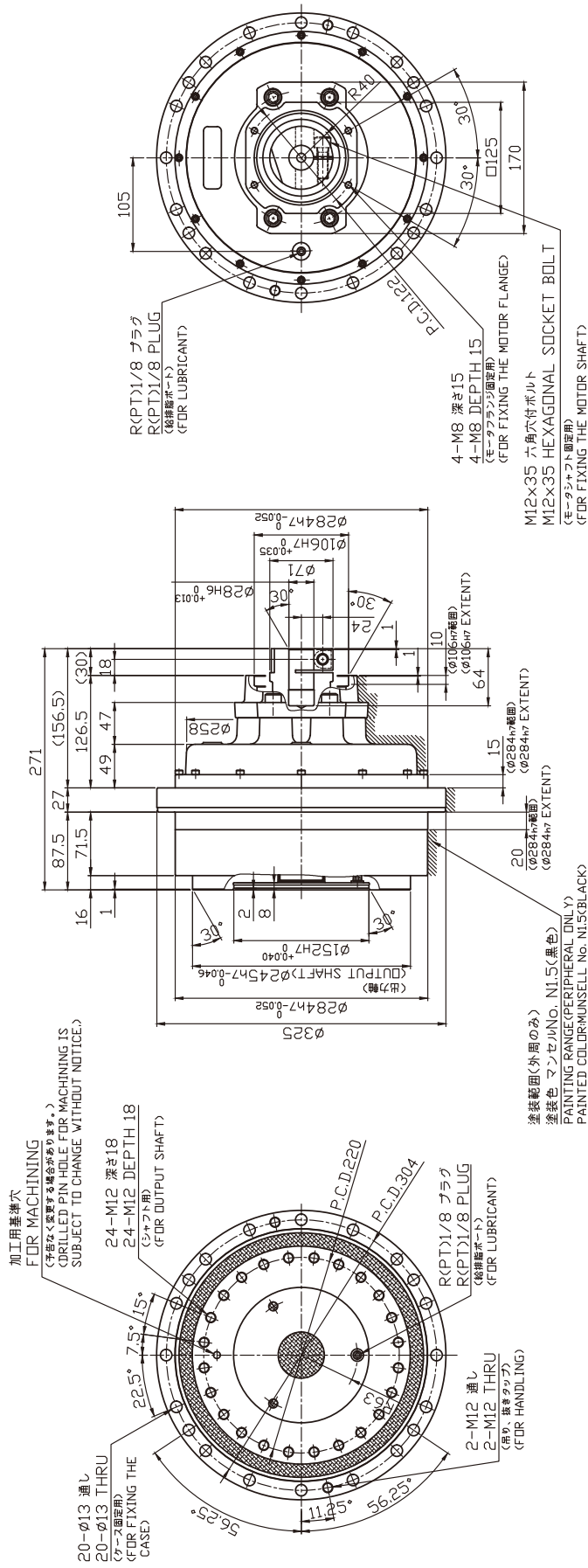


速比 Speed Ratio	型式コード Model Code	質量 Mass (kg)	換算モータ入力 (G0B2/A) Power Input (kW)
66	RDS-160E-066-G5		3.17x10 ⁻³
81	RDS-160E-081-G5		3.11x10 ⁻³
101	RDS-160E-101-G5	46.3	3.06x10 ⁻³
121	RDS-160E-121-G5		3.03x10 ⁻³
145	RDS-160E-145-G5		2.99x10 ⁻³
171	RDS-160E-171-G5		2.96x10 ⁻³

Technical Information | Option: Base flange | Motor flange / bushing | Pulley input type | Right angle input type | Straight input type

Model Code: RDS-320E-XXX-G4 (Corresponding motor shaft diameter: $\varnothing 19$ to $\varnothing 28$)

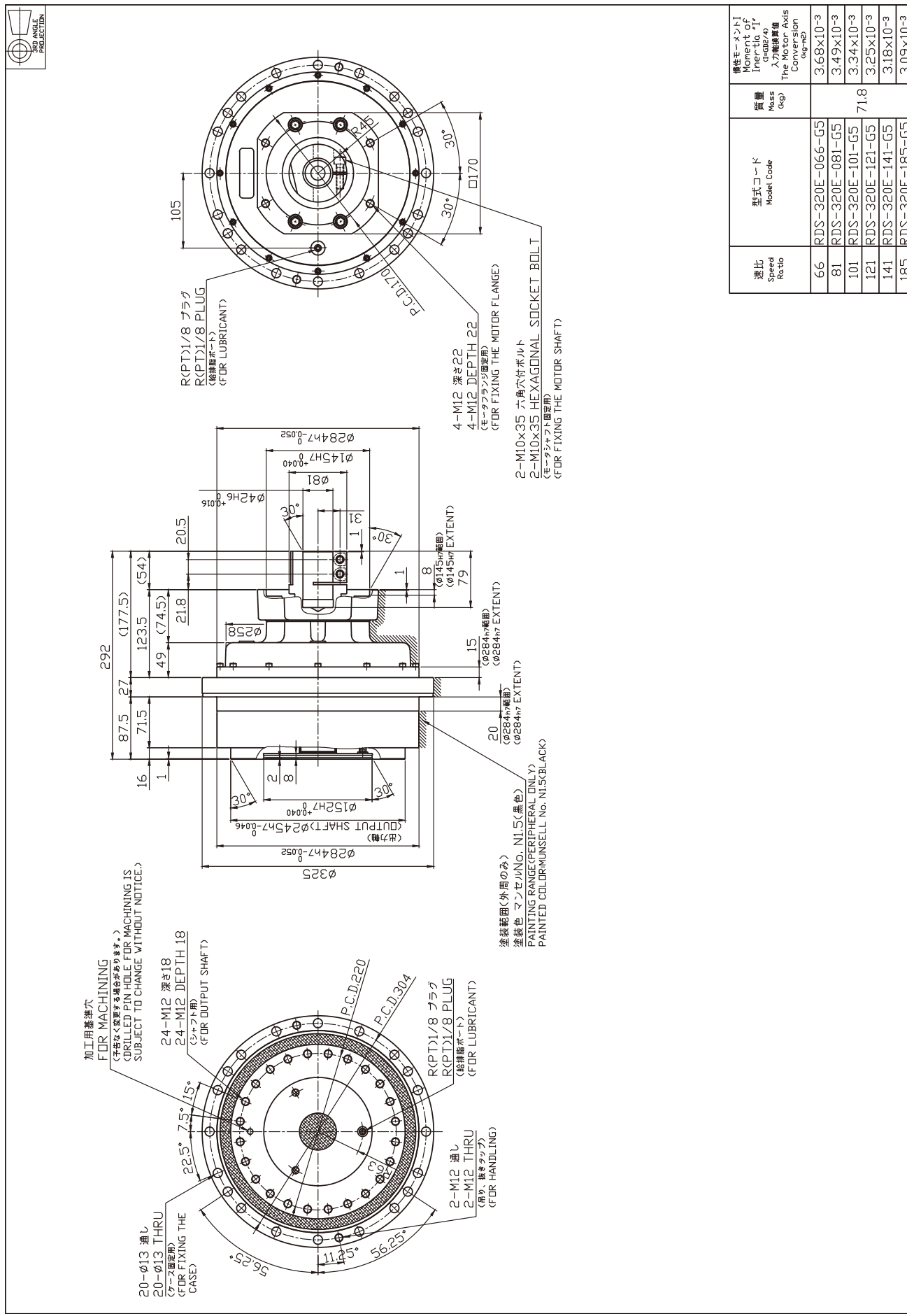
Specifications and dimensions are subject to change without notice.



速比 Speed Ratio	型式コード Model Code	質量 Mass (kg)	慣性モーメント Moment of Inertia, J _m (kg-cm ²) The Moment of Inertia About The Motor Axis (kg-m ²)
66	RDS-320E-066-G4		2.60×10 ⁻³
81	RDS-320E-081-G4		2.40×10 ⁻³
101	RDS-320E-101-G4	68.9	2.26×10 ⁻³
121	RDS-320E-121-G4		2.17×10 ⁻³
141	RDS-320E-141-G4		2.10×10 ⁻³
185	RDS-320E-185-G4		2.01×10 ⁻³

Model Code: RDS-320E-XXX-G5 (Corresponding motor shaft diameter: Ø32 to Ø42)

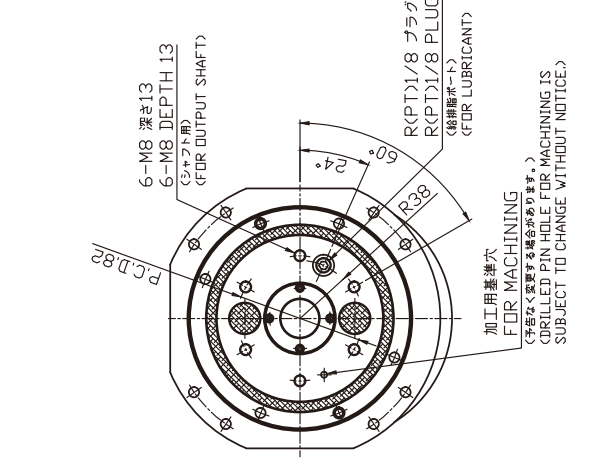
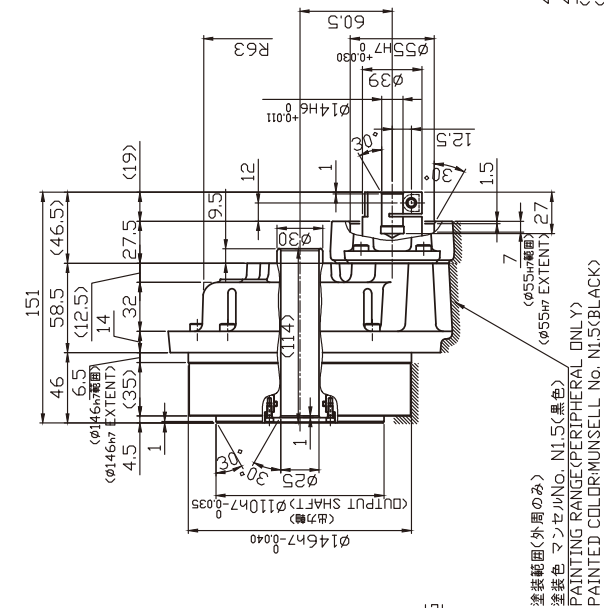
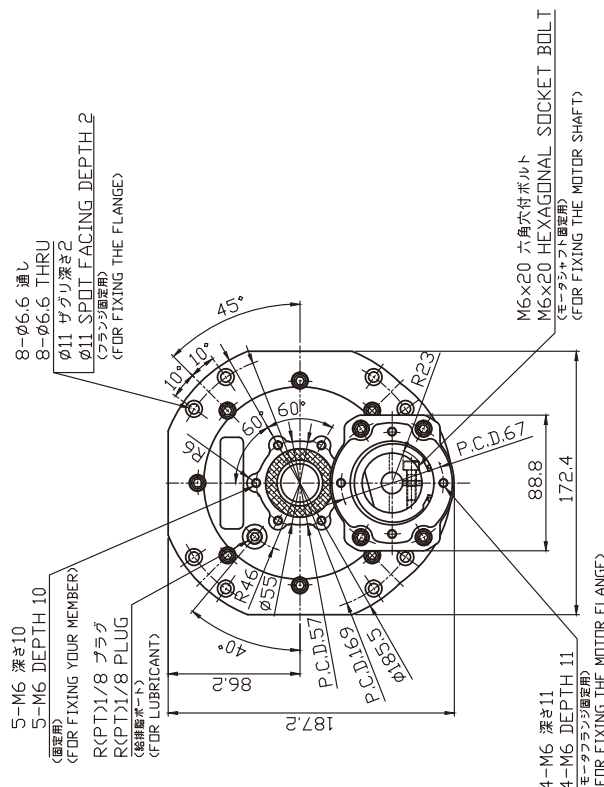
Specifications and dimensions are subject to change without notice.



速比 Speed Ratio	型式コード Model Code	質量 Mass (kg)	機種モータ Hollow Shaft Type (G022/A) 入力軸換算 The Motor Axis Conversion (kg-mB)
66	RDS-320E-066-G5		3.68×10 ⁻³
81	RDS-320E-081-G5		3.49×10 ⁻³
101	RDS-320E-101-G5	71.8	3.34×10 ⁻³
121	RDS-320E-121-G5		3.25×10 ⁻³
141	RDS-320E-141-G5		3.18×10 ⁻³
185	RDS-320E-185-G5		3.09×10 ⁻³

Model Code: RDS-010C-XXX-G0 (Corresponding motor shaft diameter: Ø8 to Ø14)

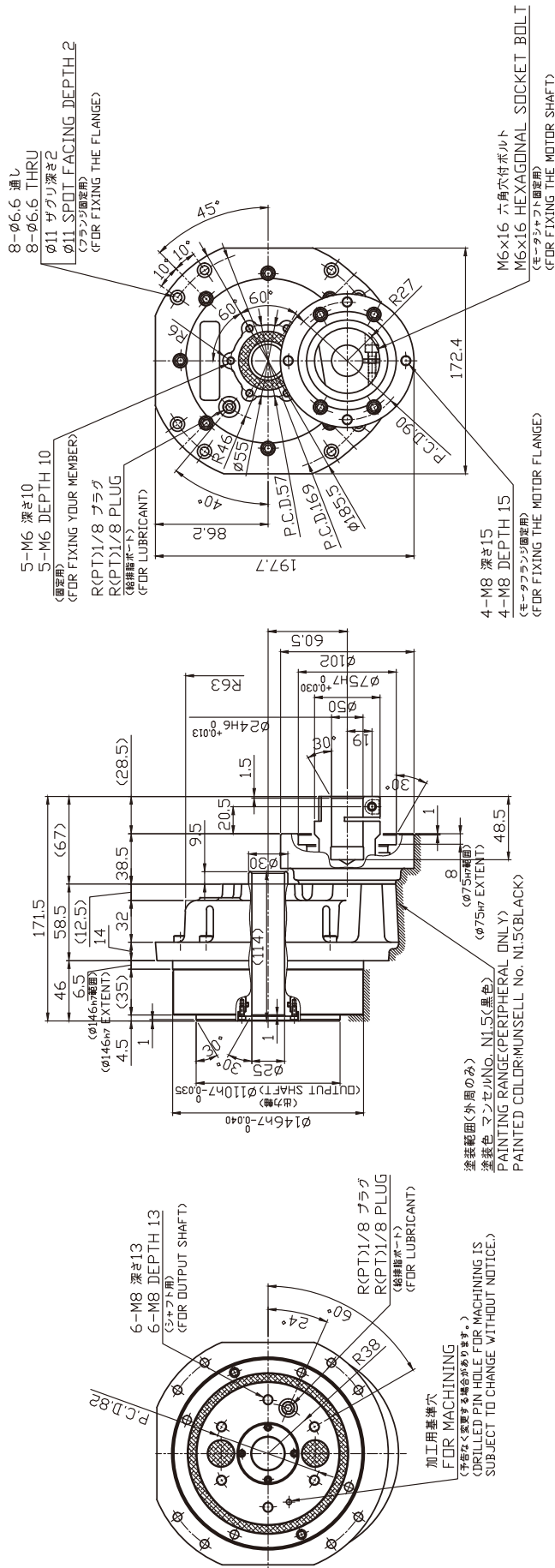
Specifications and dimensions are subject to change without notice.



速比 Speed Ratio	型式コード Model Code	質量 Mass (kg)	備註 Notes 1. The Motor Axis Conversion (kg-mB)
81	RDS-010C-081-G0		1.66x10 ⁻⁴
108	RDS-010C-108-G0		1.48x10 ⁻⁴
153	RDS-010C-153-G0	10.4	1.34x10 ⁻⁴
189	RDS-010C-189-G0		1.27x10 ⁻⁴
243	RDS-010C-243-G0		1.22x10 ⁻⁴

Model Code: RDS-010C-XXX-G1 (Corresponding motor shaft diameter: Ø14 to Ø24)

Specifications and dimensions are subject to change without notice.



速比 Speed Ratio	型式コード Model Code	質量 Mass (kg)	慣性モーメント Moment of Inertia, I_p (cm ² /s ²) 入力軸継ぎ目 The Motor Axis Coupling (kg·cm ²)
81	RDS-010C-081-G1		3.01×10 ⁻⁴
108	RDS-010C-108-G1		2.83×10 ⁻⁴
153	RDS-010C-153-G1	11.5	2.69×10 ⁻⁴
189	RDS-010C-189-G1		2.63×10 ⁻⁴
243	RDS-010C-243-G1		2.57×10 ⁻⁴

Technical Information

Option: Base flange

Motor flange / bushing

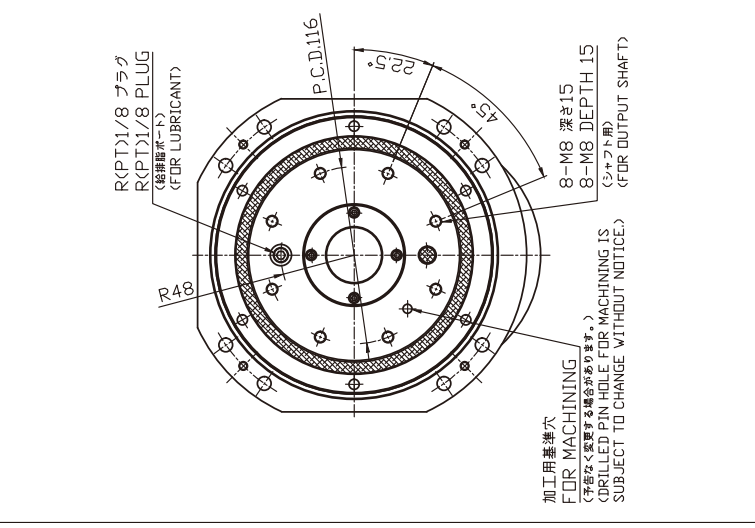
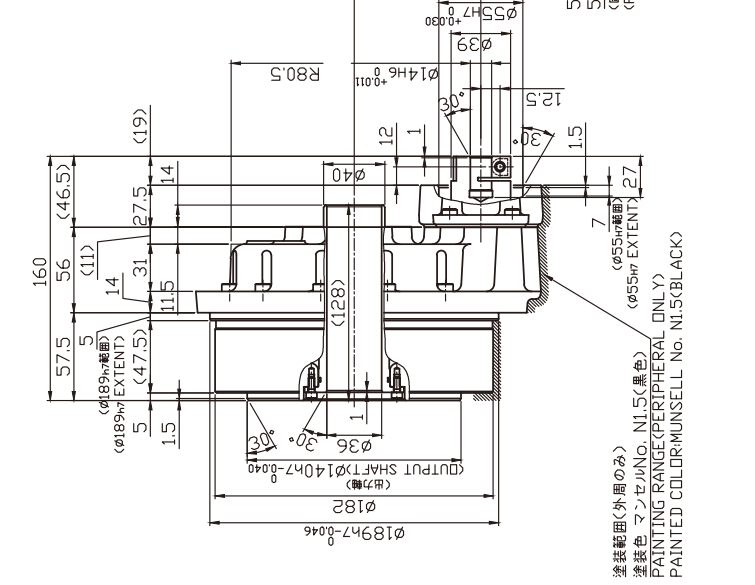
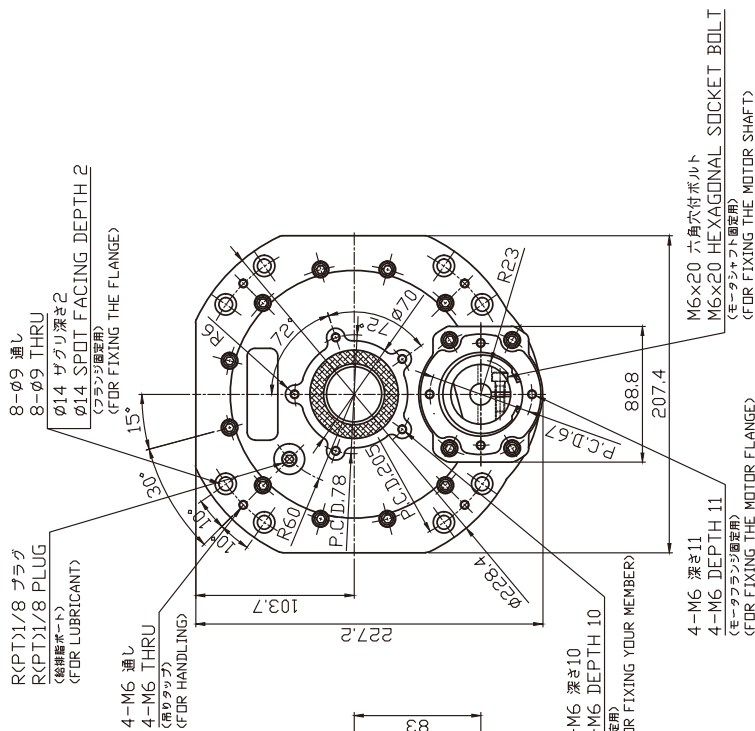
Pulley input type

Right angle input type

Straight input type

Model Code: RDS-027C-XXX-G0 (Corresponding motor shaft diameter: Ø8 to Ø14)

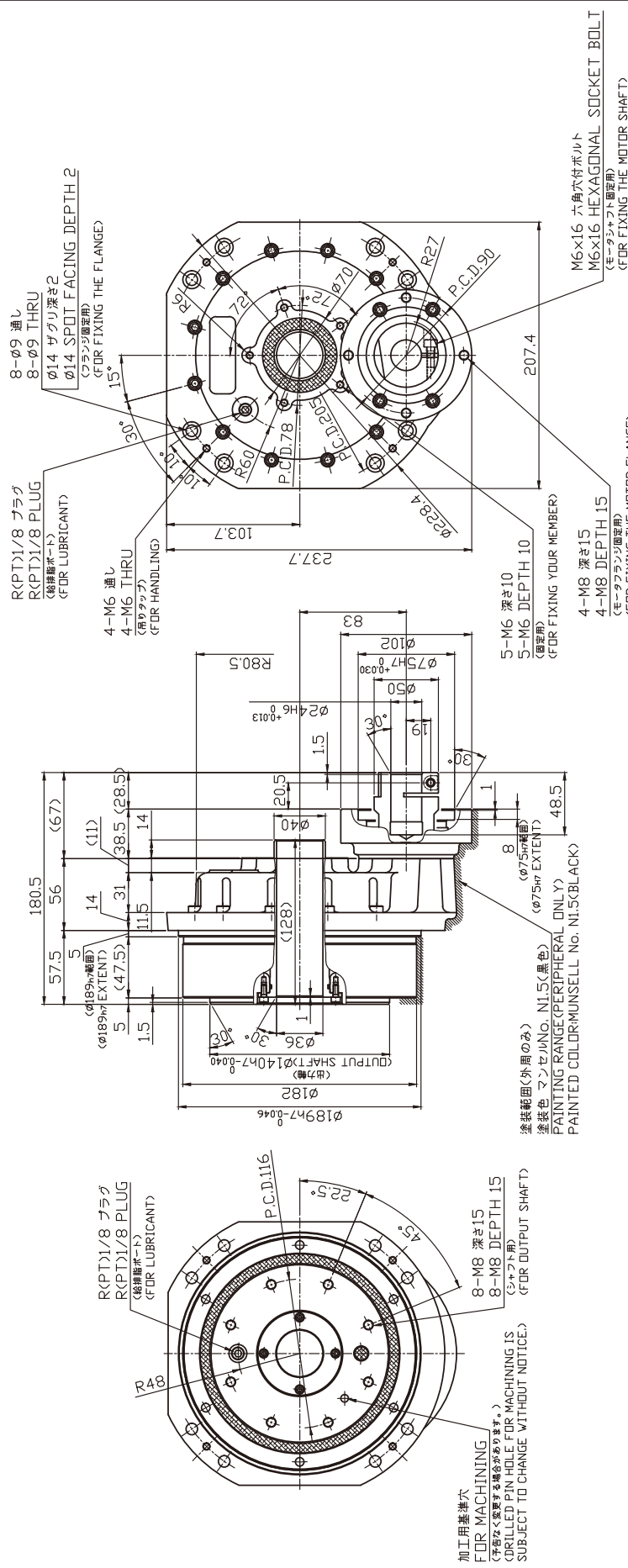
Specifications and dimensions are subject to change without notice.



速比 Speed Ratio	型式コード Model Code	質量 Mass (kg)	慣性モーメント Moment of Inertia J ₁ (cm ² /s ²) 入力軸側 Through Axis Conversion (kg·m ²)
99.82	RDS-027C-100-G0		3.05x10 ⁻⁴
141.68	RDS-027C-142-G0		2.26x10 ⁻⁴
184	RDS-027C-184-G0	16.5	1.93x10 ⁻⁴
233.45	RDS-027C-233-G0		1.63x10 ⁻⁴

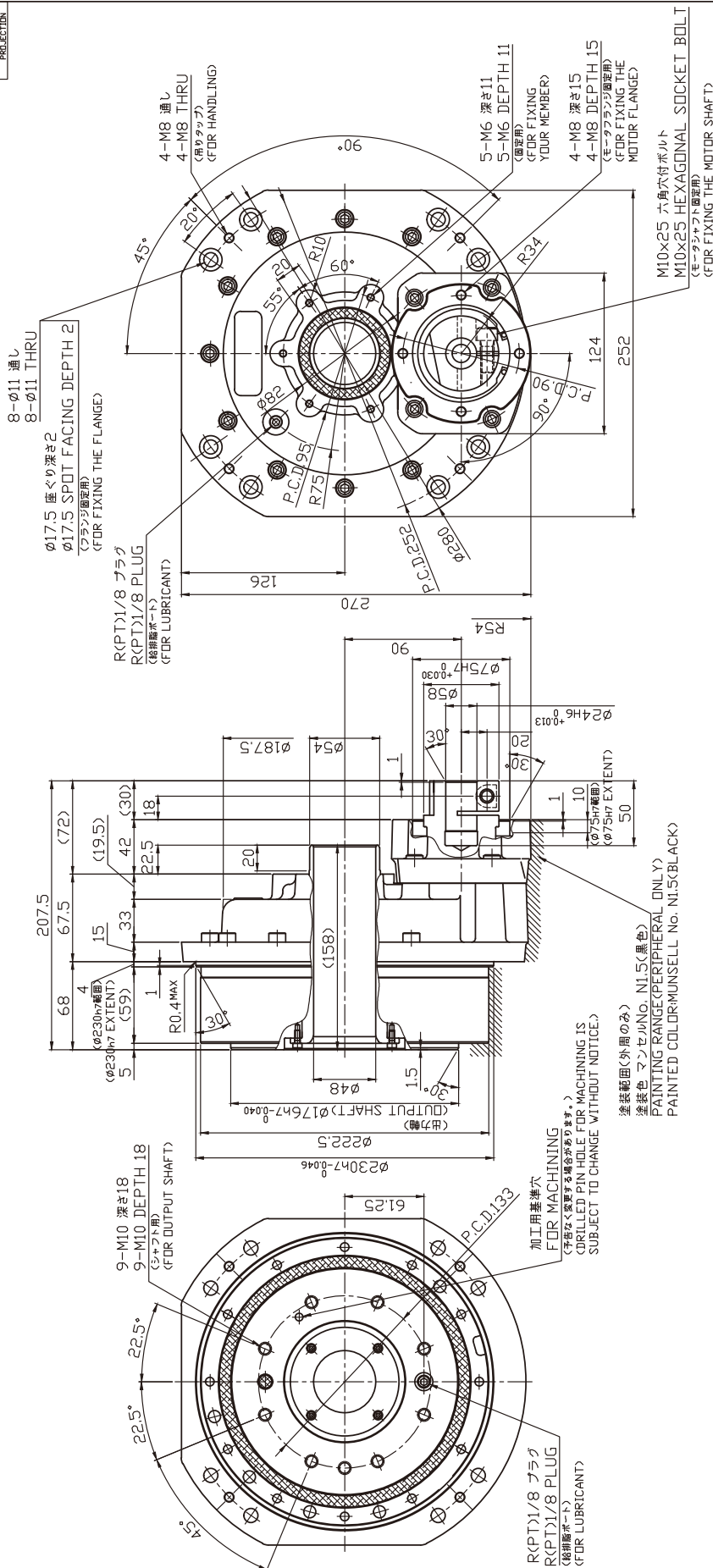
Model Code: RDS-027C-XXX-G1 (Corresponding motor shaft diameter: Ø14 to Ø24)

Specifications and dimensions are subject to change without notice.



Model Code	型式コード	質量	慣性モーメント
Speed Ratio	Model Code	Mass (kg)	Moment of Inertia (cm ²)
99.82	RDS-027C-100-G1		4.40x10 ⁻⁴
141.68	RDS-027C-142-G1		3.61x10 ⁻⁴
184	RDS-027C-184-G1	17.6	3.29x10 ⁻⁴
233.45	RDS-027C-233-G1		3.04x10 ⁻⁴

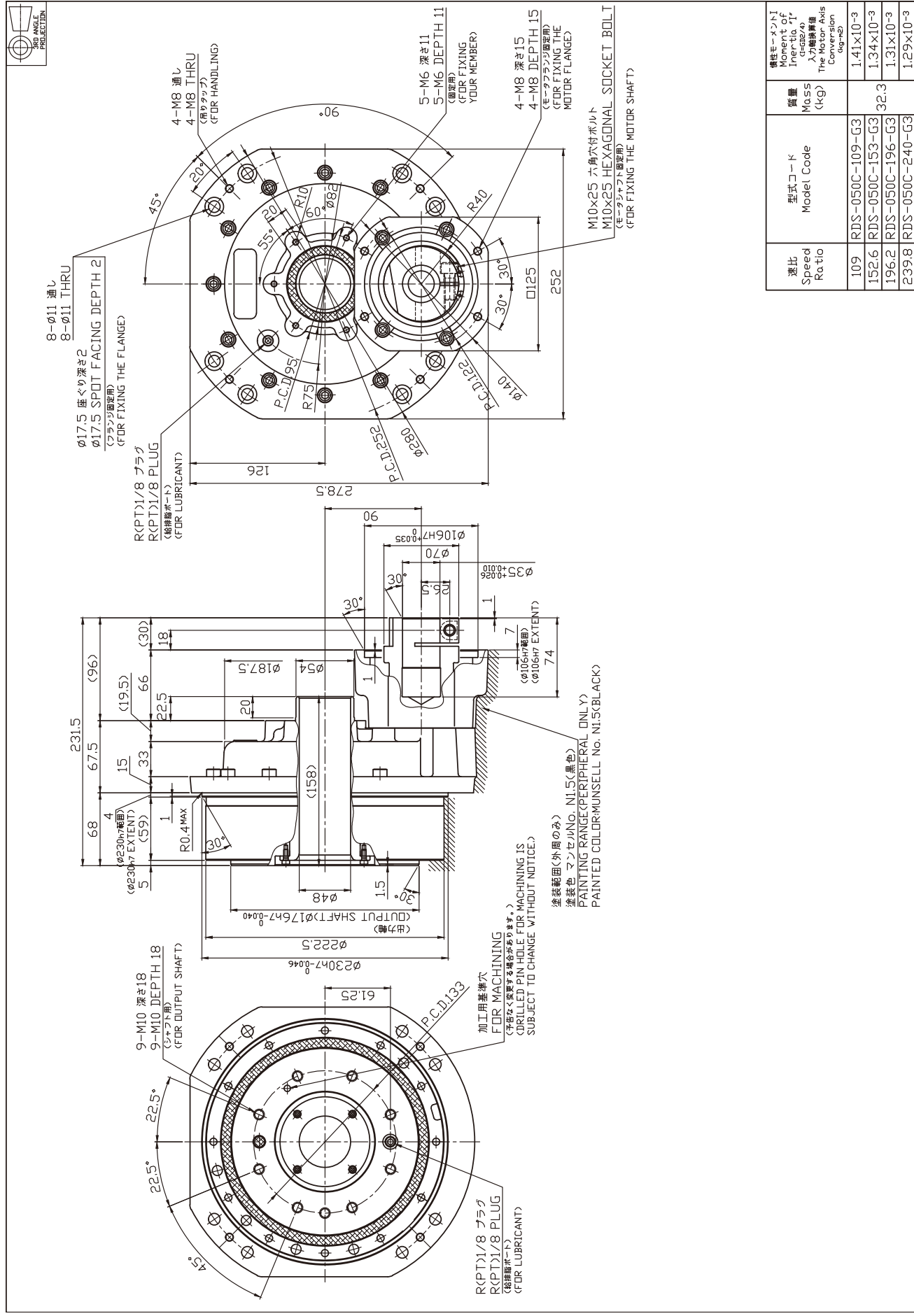
Model Code: RDS-050C-XXX-G2 (Corresponding motor shaft diameter: $\varnothing 14$ to $\varnothing 24$) Specifications and dimensions are subject to change without notice.



速比 Speed Ratio	型式コード Model Code	質量 Mass (kg)	慣性モーメント Moment of Inertia I _r (cm ² /s ²)
109	RDS-050C-109-G2		8.23x10 ⁻⁴
152.6	RDS-050C-153-G2	29.9	7.52x10 ⁻⁴
196.2	RDS-050C-196-G2		7.18x10 ⁻⁴
239.8	RDS-050C-240-G2		6.99x10 ⁻⁴

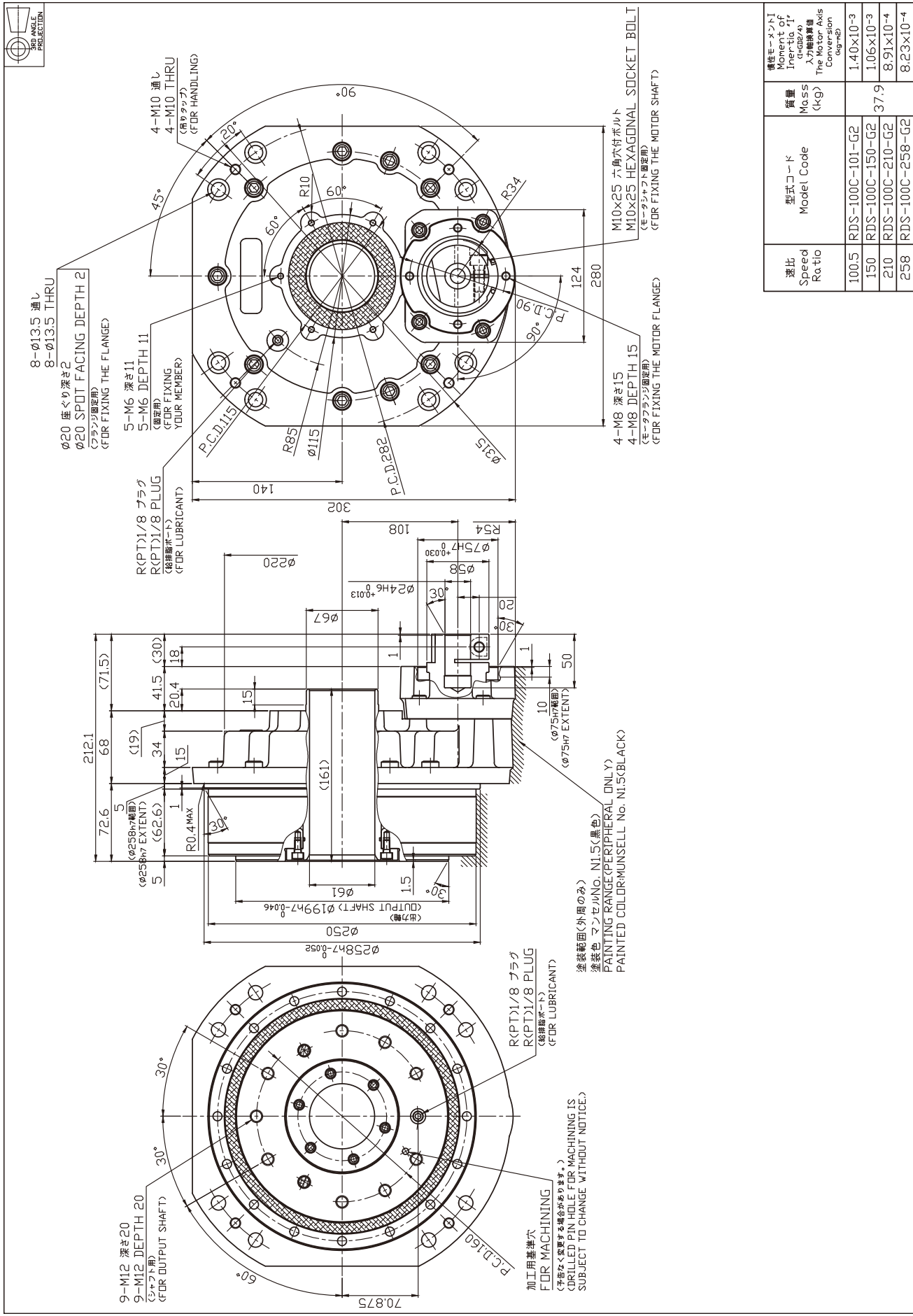
Model Code: RDS-050C-XXX-G3 (Corresponding motor shaft diameter: Ø25 to Ø35)

Specifications and dimensions are subject to change without notice.



速度比 Speed Ratio	型式コード Model Code	質量 Mass (kg)	慣性モーメント Moment of Inertia (kg·m ²)
109	RDS-050C-109-G3		1.41×10 ⁻³
152.6	RDS-050C-153-G3	32.3	1.34×10 ⁻³
196.2	RDS-050C-196-G3		1.31×10 ⁻³
239.8	RDS-050C-240-G3		1.29×10 ⁻³

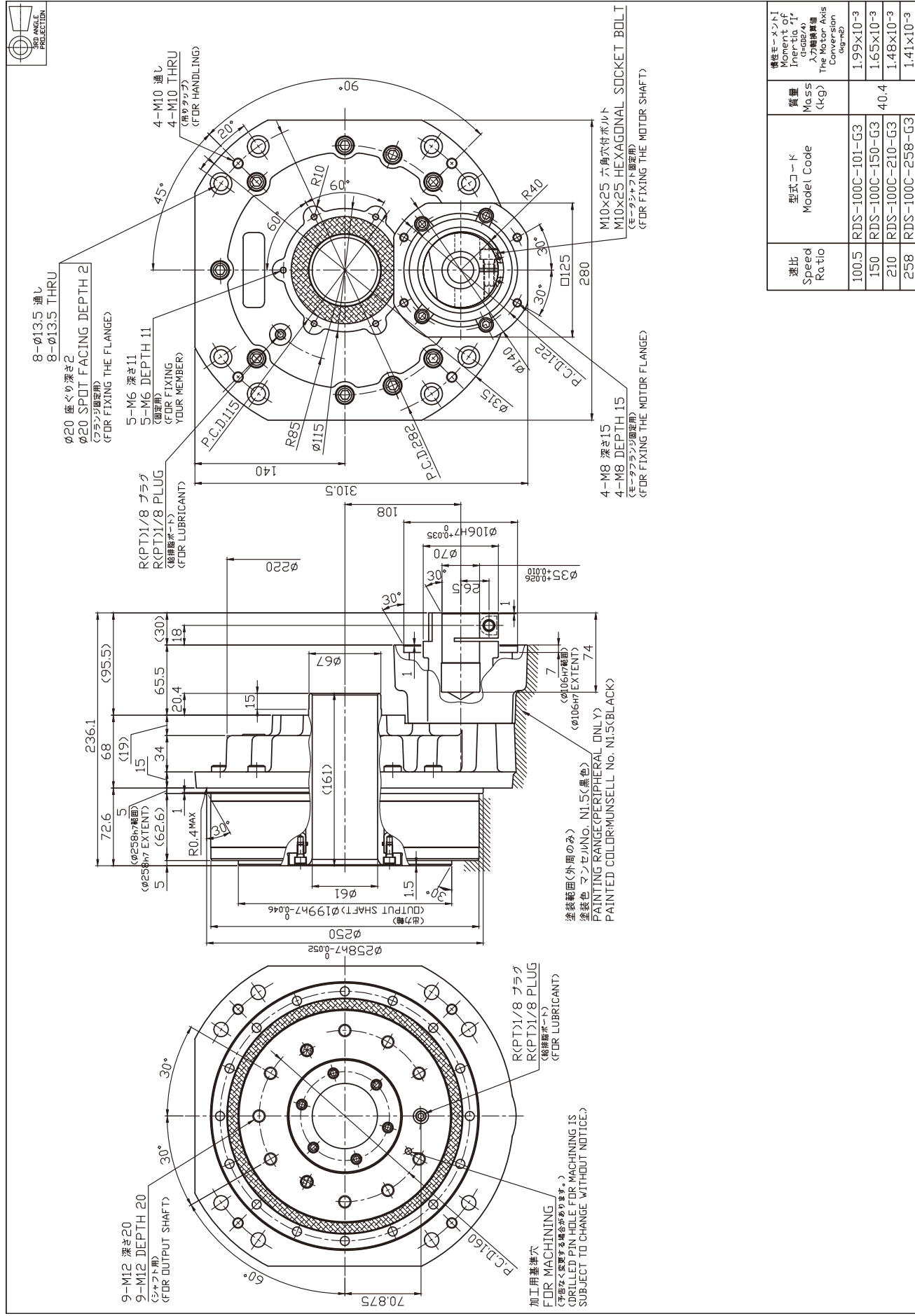
Model Code: RDS-100C-XXX-G2 (Corresponding motor shaft diameter: Ø14 to Ø24) Specifications and dimensions are subject to change without notice.



速比 Speed Ratio	型式コード Model Code	質量 Mass (kg)	慣性モーメント Moment of Inertia I_r (cm^2/s^2) 入力軸換算値 The Motor-Axis Calculation Value ($\text{kg} \cdot \text{cm}^2$)
100.5	RDS-100C-101-G2		1.40×10 ⁻³
150	RDS-100C-150-G2	37.9	1.06×10 ⁻³
210	RDS-100C-210-G2		8.91×10 ⁻⁴
258	RDS-100C-258-G2		8.23×10 ⁻⁴

Model Code: RDS-100C-XXX-G3 (Corresponding motor shaft diameter: Ø25 to Ø35)

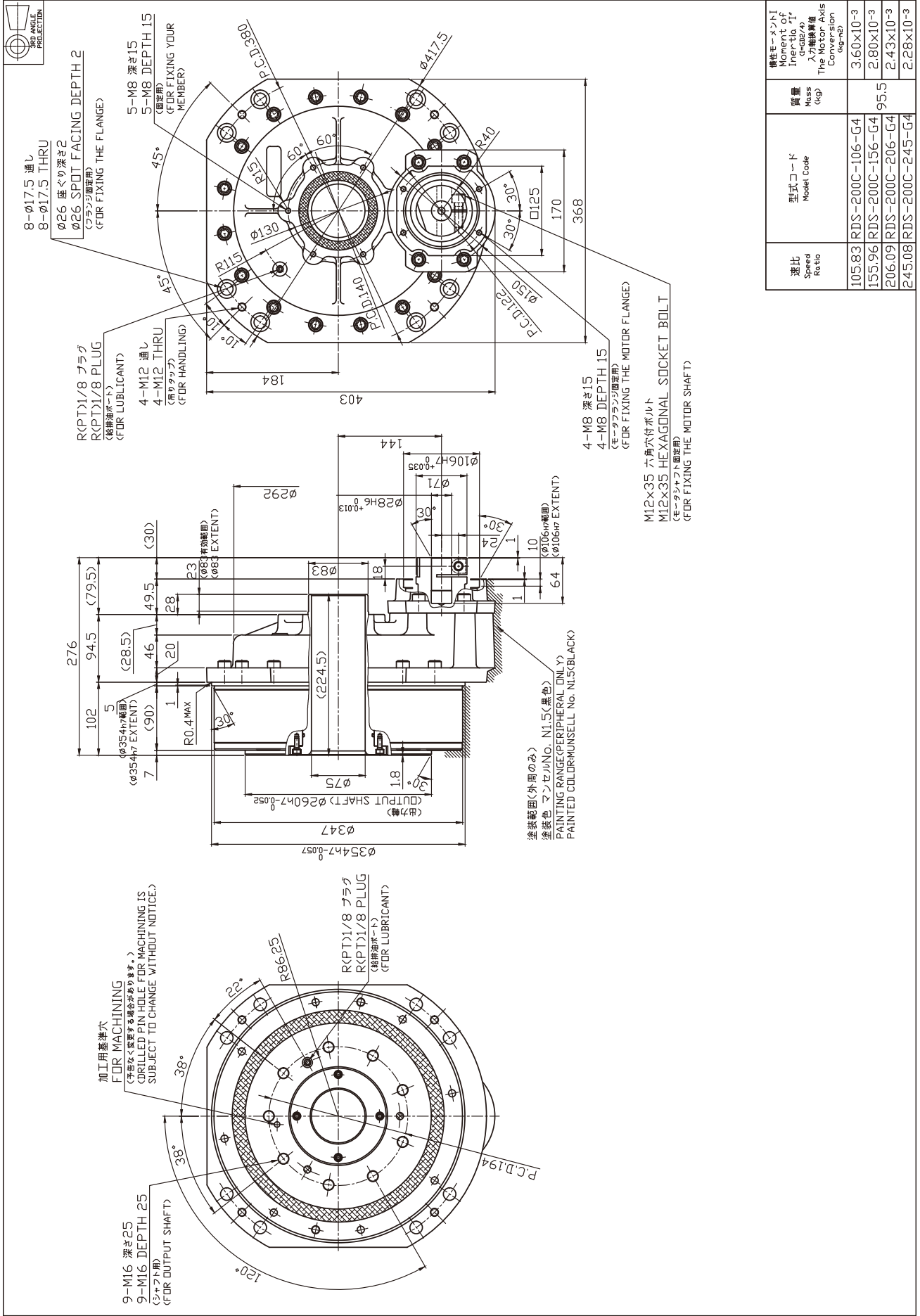
Specifications and dimensions are subject to change without notice.



速度 Speed Ratio	型式コード Model Code	質量 Mass (kg)	慣性モーメント Moment of Inertia, I _p 入力軸基準 The Motor Axis Conversion (kg·m ²)
100.5	RDS-100C-101-G3		1.99x10 ⁻³
150	RDS-100C-150-G3		1.65x10 ⁻³
210	RDS-100C-210-G3	40.4	1.48x10 ⁻³
258	RDS-100C-258-G3		1.41x10 ⁻³

Model Code: RDS-200C-XXX-G4 (Corresponding motor shaft diameter: Ø19 to Ø28)

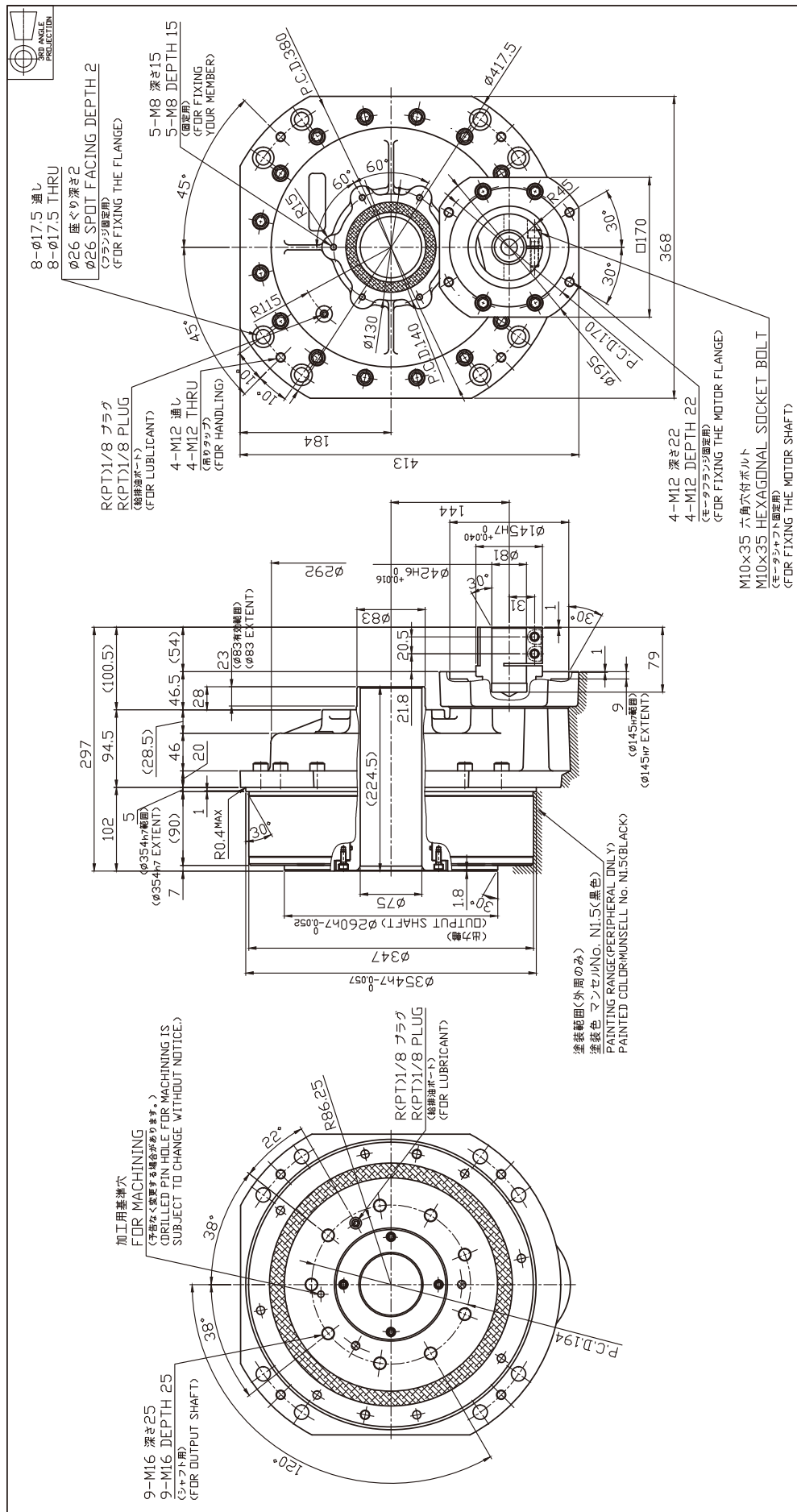
Specifications and dimensions are subject to change without notice.



速比 Speed Ratio	型式コード Model Code	質量 Mass (kg)	慣性モーメント Moment of Inertia J1 (cm ² /s ²) 入力軸換算 The Input Axis Conversion (kg·m ²)
105.83	RDS-200C-106-G4		3.60×10 ⁻³
155.96	RDS-200C-156-G4	95.5	2.80×10 ⁻³
206.09	RDS-200C-206-G4		2.43×10 ⁻³
245.08	RDS-200C-245-G4		2.28×10 ⁻³

Model Code: RDS-200C-XXX-G5 (Corresponding motor shaft diameter: Ø32 to Ø42)

Specifications and dimensions are subject to change without notice.



速度 Speed Ratio	型式コード Model Code	質量 Mass (kg)	慣性モーメント Moment of Inertia (cm ² /s ²)
			入力軸換算値 The Motor Axis Conversion (kg·m ²)
105.83	RDS-200C-106-G5	4.69	4.69×10 ⁻³
155.96	RDS-200C-156-G5	98.4	3.89×10 ⁻³
206.09	RDS-200C-206-G5		3.51×10 ⁻³
245.08	RDS-200C-245-G5		3.36×10 ⁻³

Technical Information

Option: Base flange

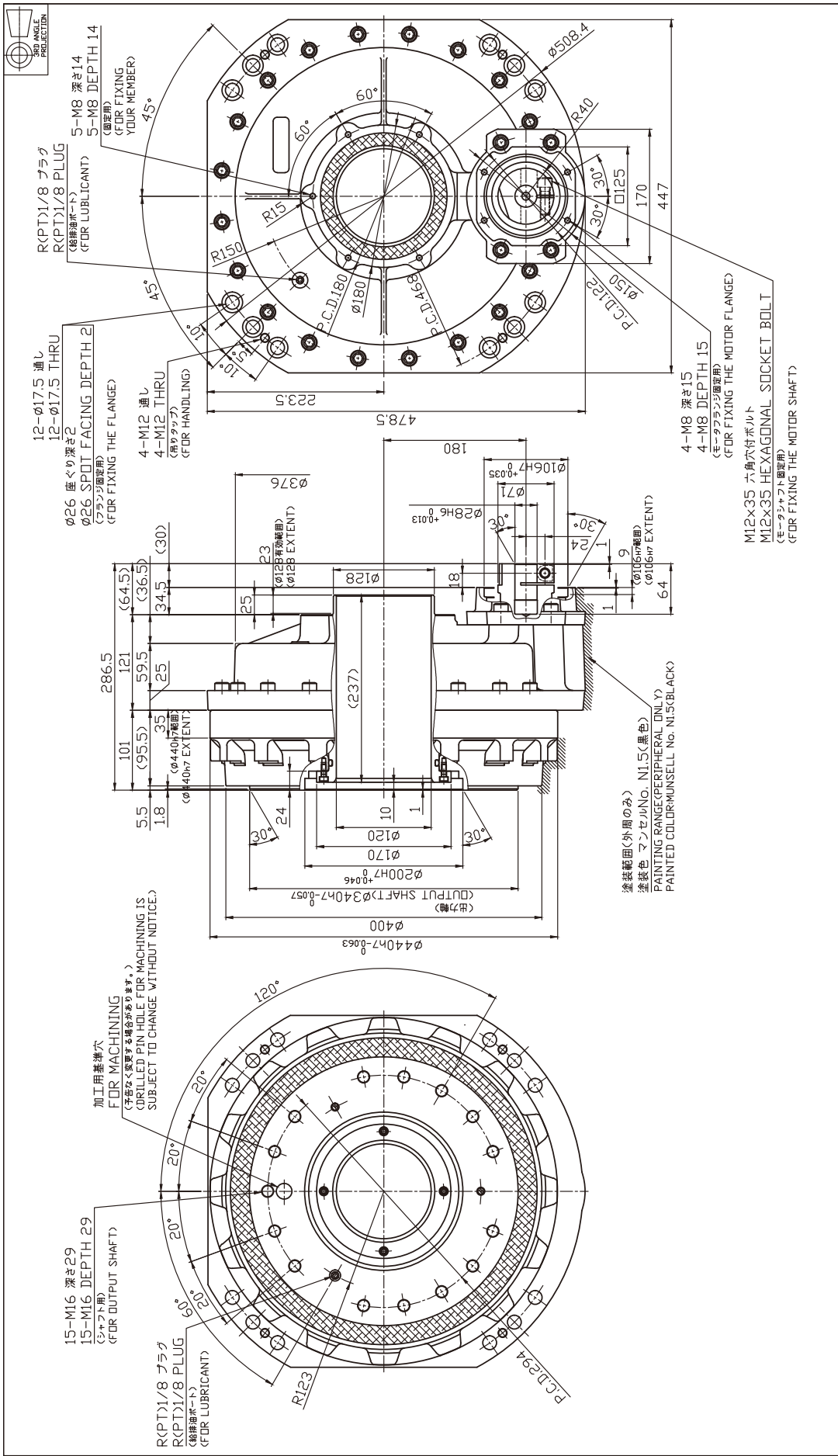
Motor flange / bushing

Pulley input type

Right angle input type

Straight input type

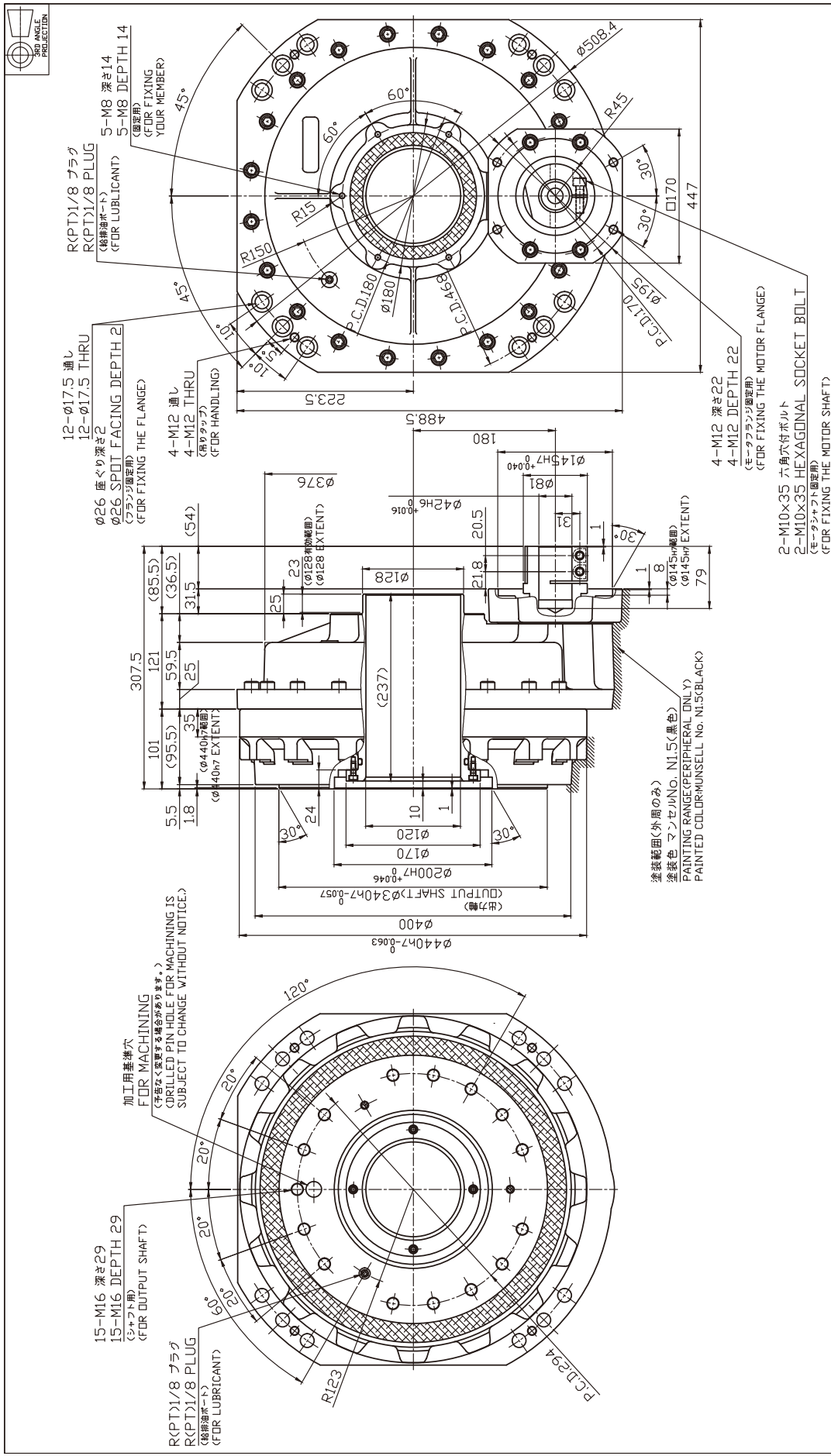
Model Code: RDS-320C-XXX-G4 (Corresponding motor shaft diameter: Ø19 to Ø28) Specifications and dimensions are subject to change without notice.



速度 Speed Ratio	型式コード Model Code	質量 Mass (kg)	慣性モーメント Moment of Inertia J _r (kg-cm ²) 入力軸 The Input Axis Conception (kg-cm ²)
115	RDS-320C-115-G4		7.17x10 ⁻³
157	RDS-320C-157-G4	14.4	5.10x10 ⁻³
207	RDS-320C-207-G4		3.90x10 ⁻³
253	RDS-320C-253-G4		3.29x10 ⁻³

Model Code: RDS-320C-XXX-G5 (Corresponding motor shaft diameter: Ø32 to Ø42)

Specifications and dimensions are subject to change without notice.



Model Code	型式コード	質量	慣性モーメント
Speed Ratio	Model Code	Mass (kg)	Moment of Inertia (kg·m ²)
115	RDS-320C-115-G5	8.25	8.25×10 ⁻³
157	RDS-320C-157-G5	14.43	6.18×10 ⁻³
207	RDS-320C-207-G5	14.43	4.98×10 ⁻³
253	RDS-320C-253-G5	14.43	4.37×10 ⁻³

Technical Information

Option: Base flange

Motor flange / bushing

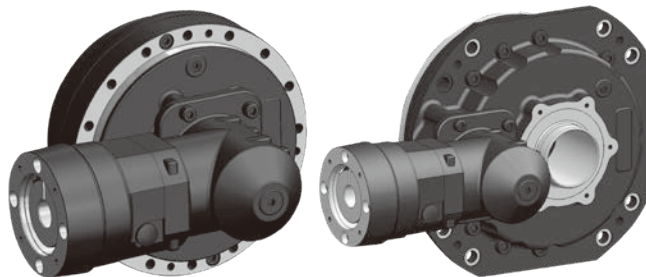
Pulley input type

Right angle input type

Straight input type



Right Angle Input Type



Right angle input type code description / configuration diagram

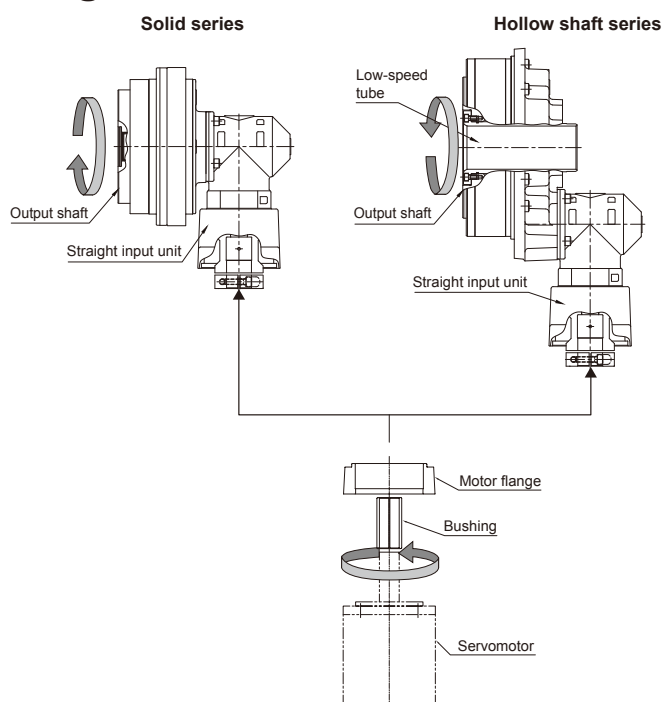
Product code

RD R - 080 E - 041 - H3 - GD - ZZ

Model Code			Ratio Code	Input unit code	Motor flange code	Bushing code
Right angle input code	Torque code	Series code				
R	006	E: Solid series	031, 043, 054, 079, 103	H0 : Corresponding motor shaft diameter Ø8 to 14 H1 : Corresponding motor shaft diameter Ø14 to 24	2-alphabetic character code (The code will differ depending on motor to be mounted.)	2-letter code of a numeric and an alphabetic characters ZZ: None (The code will differ depending on motor to be mounted.)
	020		041, 057, 081, 105, 121, 161	H0 : Corresponding motor shaft diameter Ø8 to 14 H1 : Corresponding motor shaft diameter Ø14 to 24		
	040		041, 057, 081, 105, 121, 153	H2 : Corresponding motor shaft diameter Ø14 to 24 H3 : Corresponding motor shaft diameter Ø25 to 35		
	080		041, 057, 081, 101, 121, 153	H2 : Corresponding motor shaft diameter Ø14 to 24 H3 : Corresponding motor shaft diameter Ø25 to 35		
	160		066, 081, 101, 121, 145, 171	H4 : Corresponding motor shaft diameter Ø19 to 28 H5 : Corresponding motor shaft diameter Ø32 to 42		
	320		066, 081, 101, 121, 141, 185	H4 : Corresponding motor shaft diameter Ø19 to 28 H5 : Corresponding motor shaft diameter Ø32 to 42		
	010	C: Hollow shaft series	081, 108, 153, 189, 243	H0 : Corresponding motor shaft diameter Ø8 to 14 H1 : Corresponding motor shaft diameter Ø14 to 24		
	027		100, 142, 184, 233	H0 : Corresponding motor shaft diameter Ø8 to 14 H1 : Corresponding motor shaft diameter Ø14 to 24		
	050		109, 153, 196, 240	H2 : Corresponding motor shaft diameter Ø14 to 24 H3 : Corresponding motor shaft diameter Ø25 to 35		
	100		101, 150, 210, 258	H2 : Corresponding motor shaft diameter Ø14 to 24 H3 : Corresponding motor shaft diameter Ø25 to 35		
	200		106, 156, 206, 245	H4 : Corresponding motor shaft diameter Ø19 to 28 H5 : Corresponding motor shaft diameter Ø32 to 42		
	320		115, 157, 207, 253	H4 : Corresponding motor shaft diameter Ø19 to 28 H5 : Corresponding motor shaft diameter Ø32 to 42		

Note: For selection of motor flange and bushing, see the selection tables on pages 83 – 85 or visit the Nabtesco website (URL : <https://precision.nabtesco.com/>).

Configuration diagram



Straight input type

Right angle input type

Pulley input type

Motor flange / bushing

Option: Base flange

Technical Information

Rating table Right angle input type

Solid series

Model Code	Ratio code (Reduction ratio value)	Reduction Gear													External Dimensions
		T ₀	N ₀	K	T _{S1}	T _{S2}	N _{in}	N _s	N _{r0}	Backlash	Lost motion	Start-up Efficiency	M ₀	W _r	
		Rated Torque (Nm)	Rated Output Speed (rpm)	Life Rating (h)	Allowable Startup/Stop Torque (Nm)	Momentary maximum allowable torque (Nm)	Allowable Input Speed (Note 2) (rpm)	Allowable Output Speed (Note 2) (rpm)	Reference value to output speed during continuous operation at rated torque (rpm)				Allowable moment (Note 3) (Nm)	Allowable radial load (Note 8) (N)	
RDR-006E	031 (31)	58	30	6,000	117	294	3,500	100	100	2.0	2.0	70	196	2,170	Input Unit Code : H0 ———P.44 Input Unit Code : H1 ———P.45
	043 (43)														
	054 (53.5)														
	079 (79)														
	103 (103)														
RDR-020E	041 (41)	108	15	6,000	271	543	3,500	75	55	1.5	1.5	75	882	7,785	Input Unit Code : H0 ———P.46 Input Unit Code : H1 ———P.47
	057 (57)	151			378	755		61	44						
	081 (81)	167			412	833		43	35						
	105 (105)							33	30						
	121 (121)							29	28						
	161 (161)							22	22						
RDR-040E	041 (41)	400	15	6,000	1,000	2,000	3,000	70	32	1.5	1.5	70	1,666	11,529	Input Unit Code : H2 ———P.48 Input Unit Code : H3 ———P.49
	057 (57)	412			1,029	2,058		53	30						
	081 (81)							37	28						
	105 (105)							29	27						
	121 (121)							25	25						
	153 (153)							20	20						
RDR-080E	041 (41)	400	15	6,000	1,000	2,000	3,000	70	35	1.5	1.5	75	2,156	13,146	Input Unit Code : H2 ———P.50 Input Unit Code : H3 ———P.51
	057 (57)	784			1,960	3,920		53	31						
	081 (81)							37	29						
	101 (101)							30	27						
	121 (121)							25	25						
	153 (153)							20	20						
RDR-160E	066 (66)	1,568	15	6,000	3,920	7,840	2,000	30	20	1.5	1.5	75	3,920	18,666	Input Unit Code : H4 ———P.52 Input Unit Code : H5 ———P.53
	081 (81)							25	18						
	101 (101)							20	16						
	121 (121)							17	14						
	145 (145)							14	13						
	171 (171)							12	12						
RDR-320E	066 (66)	1,800	15	6,000	4,503	9,002	2,000	30	14	1.5	1.5	80	7,056	28,066	Input Unit Code : H4 ———P.54 Input Unit Code : H5 ———P.55
	081 (81)	2,209			5,527	11,048		25	9						
	101 (101)	2,755			6,892	13,776		20	7						
	121 (121)	3,136			7,840	15,680		17	6						
	141 (141)							14	5						
	185 (185)							11	4						

Hollow shaft series

Model Code	Ratio code (Reduction ratio value)	Reduction Gear													External Dimensions
		T ₀	N ₀	K	T _{S1}	T _{S2}	N _{in}	N _S	N _{To}	Backlash	Lost motion	Start-up Efficiency	M ₀	Wr	
		(Nm)	(rpm)	(h)	(Nm)	(Nm)	(rpm)	(rpm)	(rpm)						
RDR-010C	081 (81)	98	15	6,000	245	490	3,500	43	39	1.5	1.5	65	686	5,755	Input Unit Code : H0 ———P.56
	108 (108)							32	31						
	153 (153)							23	23						
	189 (189)							19	19						
	243 (243)							14	14						
RDR-027C	100 (99.82)	265	15	6,000	662	1,323	3,500	35	23	1.5	1.5	70	980	6,533	Input Unit Code : H0 ———P.58
	142 (141.68)							25	18						
	184 (184)							19	15						
	233 (233.45)							15	14						
RDR-050C	109 (109)	490	15	6,000	1,225	2,450	3,000	28	28	1.5	1.5	70	1,764	9,418	Input Unit Code : H2 ———P.60
	153 (152.6)							20	20						
	196 (196.2)							15	15						
	240 (239.8)							13	13						
RDR-100C	101 (100.5)	980	15	6,000	2,450	4,900	3,000	30	19	1.5	1.5	80	2,450	11,802	Input Unit Code : H2 ———P.62
	150 (150)							20	17						
	210 (210)							14	14						
	258 (258)							12	12						
RDR-200C	106 (105.83)	1,960	15	6,000	4,900	9,800	2,000	19	11	1.5	1.5	80	8,820	31,455	Input Unit Code : H4 ———P.64
	156 (155.96)							13	8						
	206 (206.09)							10	6						
	245 (245.08)							8	5						
RDR-320C	115 (115)	3,136	15	6,000	7,840	15,680	2,000	17	14	1.5	1.5	80	20,580	57,103	Input Unit Code : H4 ———P.66
	157 (157)							13	11						
	207 (207)							10	7						
	253 (253)							8	8						

Notes:

- The rating table shows the specification values including the entry fields for reduction gear values.
- The allowable speed may be limited by heat depending on the operating rate. Make sure the surface temperature of the reduction gear does not exceed 60°C during use.
- The allowable moment will differ depending on the thrust load. Check the allowable moment diagram (p.131).
- For the moment of inertia of the reduction gears, refer to the external dimension drawings for the reduction gear.
- For the moment rigidity and torsional rigidity, refer to the calculation of tilt angle and the torsion angle (p.137).
- The rated torque is the value that produces the rated service life based on operation at the rated output speed; it does not indicate the maximum load. Refer to the "Glossary" (p.121) and the "Product selection flowchart" (p.122).
- The specifications above are based on Nabtesco evaluation methods; this product should only be used after confirming that it is appropriate for the operating conditions of your system.
- When the radial load is applied within dimension b (see page 137), use the reduction gear within the allowable radial load.

Straight input type

Right angle input type

Pulley input type

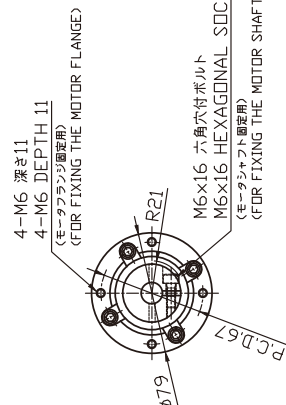
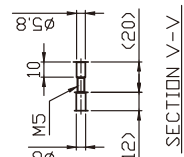
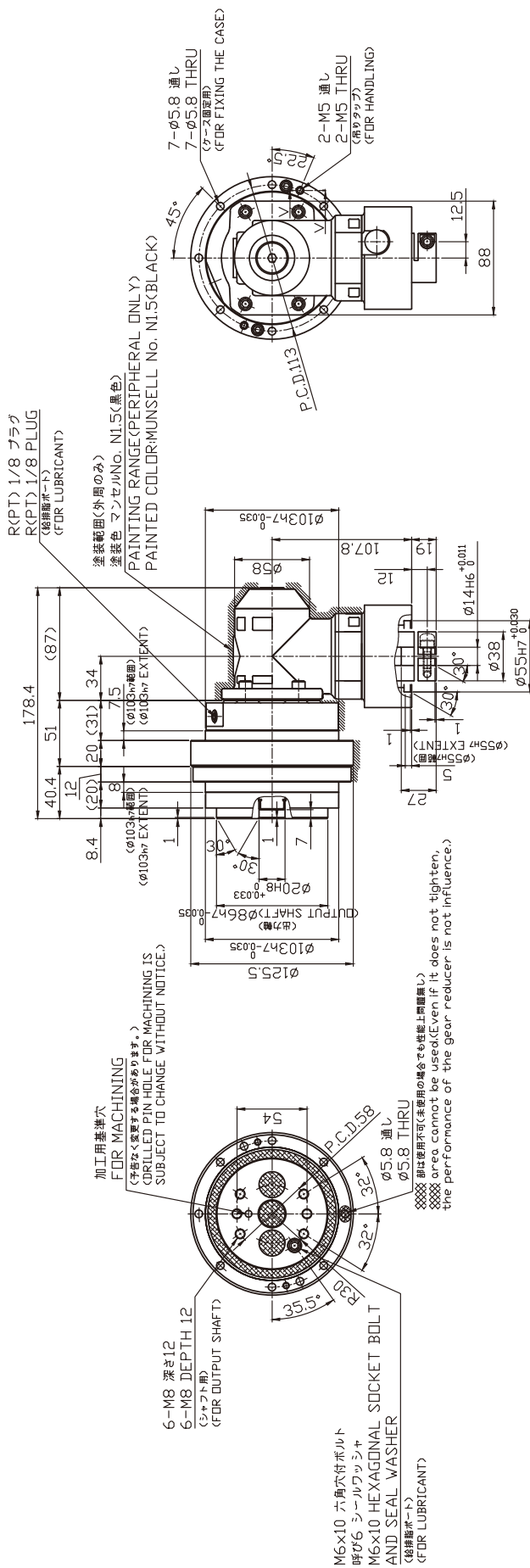
Motor flange / bushing

Option: Base flange

Technical Information

Model Code: RDR-006E-XXX-H0 (Corresponding motor shaft diameter: Ø8 to Ø14)

Specifications and dimensions are subject to change without notice.



速比 Speed Ratio	型式コード Model Code	質量 Mass (kg)	性能 Input Power (W) (hp) 入力軸換算 The Motor Axis Conversion (4p=hp)
31	RDR-006E-031-H0		1.58x10 ⁻⁴
43	RDR-006E-043-H0		1.57x10 ⁻⁴
54	RDR-006E-054-H0	7.2	1.56x10 ⁻⁴
79	RDR-006E-079-H0		1.55x10 ⁻⁴
103	RDR-006E-103-H0		1.55x10 ⁻⁴

加工用基準穴
FOR MACHINING
(予磨なく必要なる場合があります。)
(DRILLED PIN HOLE FOR MACHINING IS
SUBJECT TO CHANGE WITHOUT NOTICE.)

6-M8 深き12 (ホッパー用)
(FOR OUTPUT SHAFT)

M6x10 六角穴付ボルト
呼び M6 シールワッシャー
AND SEAL WASHER
(油脂ホース)
(FOR LUBRICANT)

45°

7-Ø5.8 通し (ケース固定用)
(FOR FIXING THE CASE)

2-M5 通し (ホッパー用)
(FOR HANDLING)

7.5

8.4

1

0.3

1

7

125.5

Ø103h7-k6

Ø103h7-k6

Ø20H8/h7

30°

27

1

19

107.8

12

1

(Ø55H7/k6)

30°

Ø14H6/h8

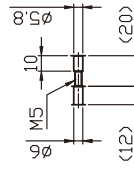
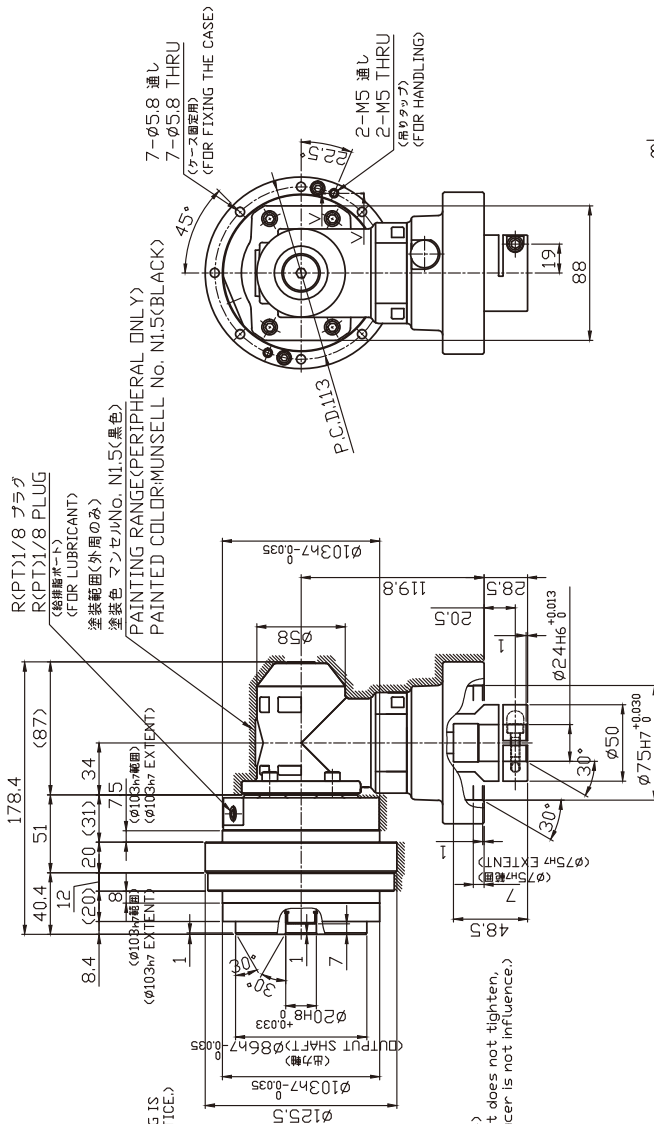
+0.011

+0.020

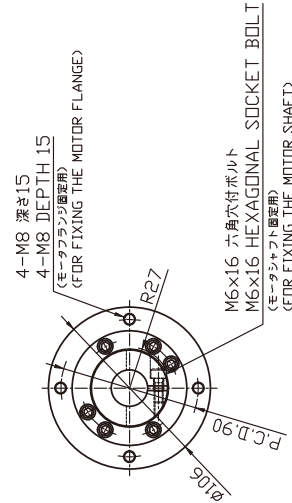
Ø55H7/k6

※ 材質は使用不可(未使用の場合でも性能に影響無し)
※ 材質も変更不可(使用の場合でも性能に影響無し)
※ 材質も変更不可(使用の場合でも性能に影響無し)
※ 材質も変更不可(使用の場合でも性能に影響無し)
※ the performance of the gear reducer is not influenced.

Model Code: RDR-006E-XXX-H1 (Corresponding motor shaft diameter: $\varnothing 14$ to $\varnothing 24$) Specifications and dimensions are subject to change without notice.



SECTION V-V



加工用基準穴
FOR MACHINING
(寸法なく変更する場合があります)
DRILLED PIN HOLE FOR MACHINING IS
SUBJECT TO CHANGE WITHOUT NOTICE.

6-M8 深さ12
6-M8 DEPTH 12
(シャフト用)
(FOR OUTPUT SHAFT)

M6x10 六角穴付ボルト
AND SEAL WASHER
(精練脂ボルト)
(FOR LUBRICANT)

M6x16 六角穴付ボルト
M6x16 HEXAGONAL SOCKET BOLT
AND SEAL WASHER
(精練脂ボルト)
(FOR LUBRICANT)

※※※※ 歯は使用不可(未使用の場合でも性能上問題無し)
※※※※ 歯は使用不可(Even if it does not tighten,
the performance of the gear reducer is not influence.)

速度 Speed Ratio	型式コード Model Code	質量 Mass (kg)	慣性モーメント Moment of Inertia J _r (cm ² /s ²) 入力軸側 The Motor Axis Coupling (kg·m ²)
31	RDR-006E-031-H1		2.81×10 ⁻⁴
43	RDR-006E-043-H1		2.62×10 ⁻⁴
54	RDR-006E-054-H1	8.2	2.61×10 ⁻⁴
79	RDR-006E-079-H1		2.60×10 ⁻⁴
103	RDR-006E-103-H1		2.60×10 ⁻⁴

Technical Information

Option: Base flange

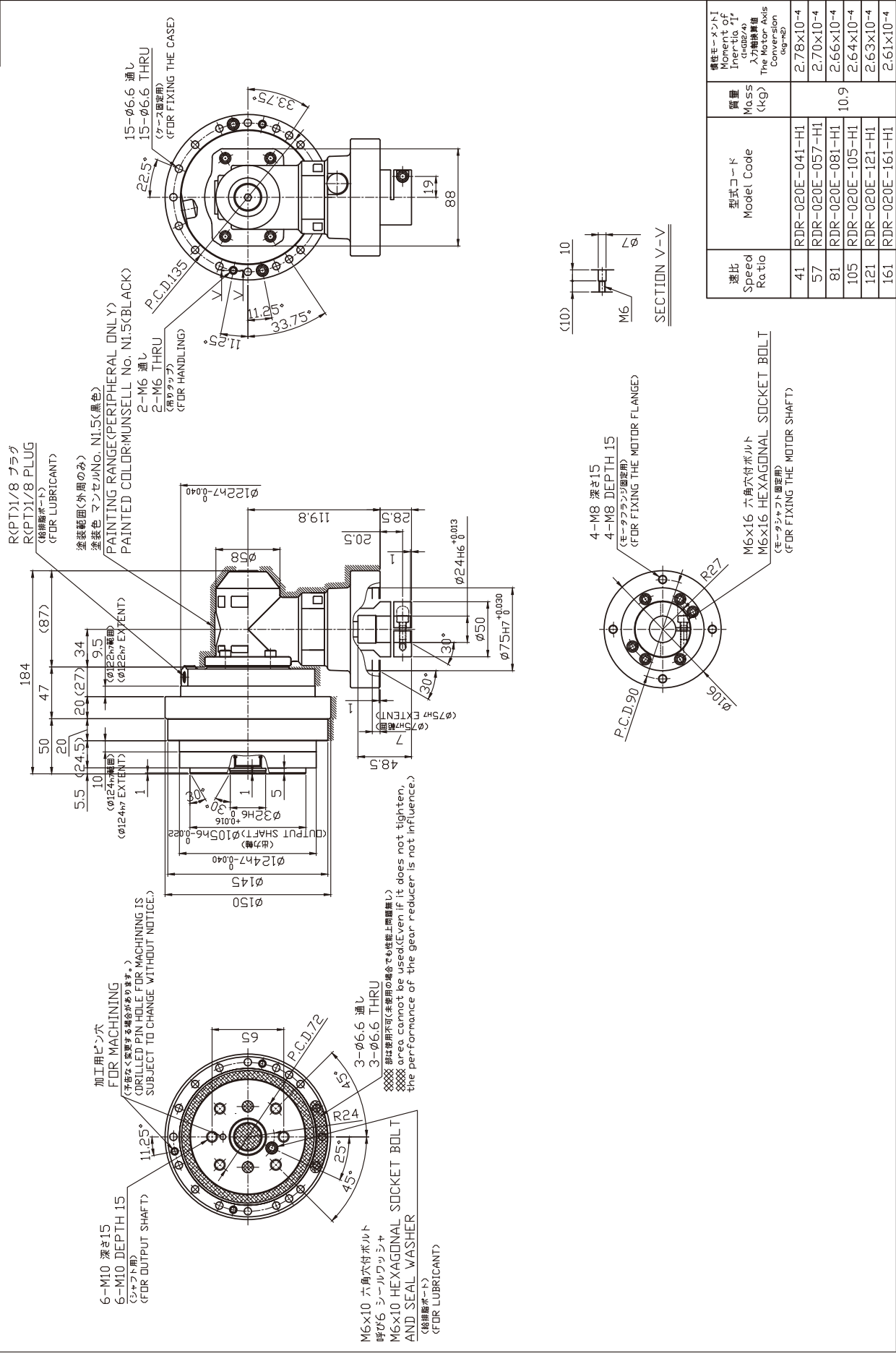
Motor flange / bushing

Pulley input type

Right angle input type

Straight input type

Model Code: RDR-020E-XXX-H1 (Corresponding motor shaft diameter: Ø14 to Ø24) Specifications and dimensions are subject to change without notice.



Technical Information

Option: Base flange

Motor flange / bushing

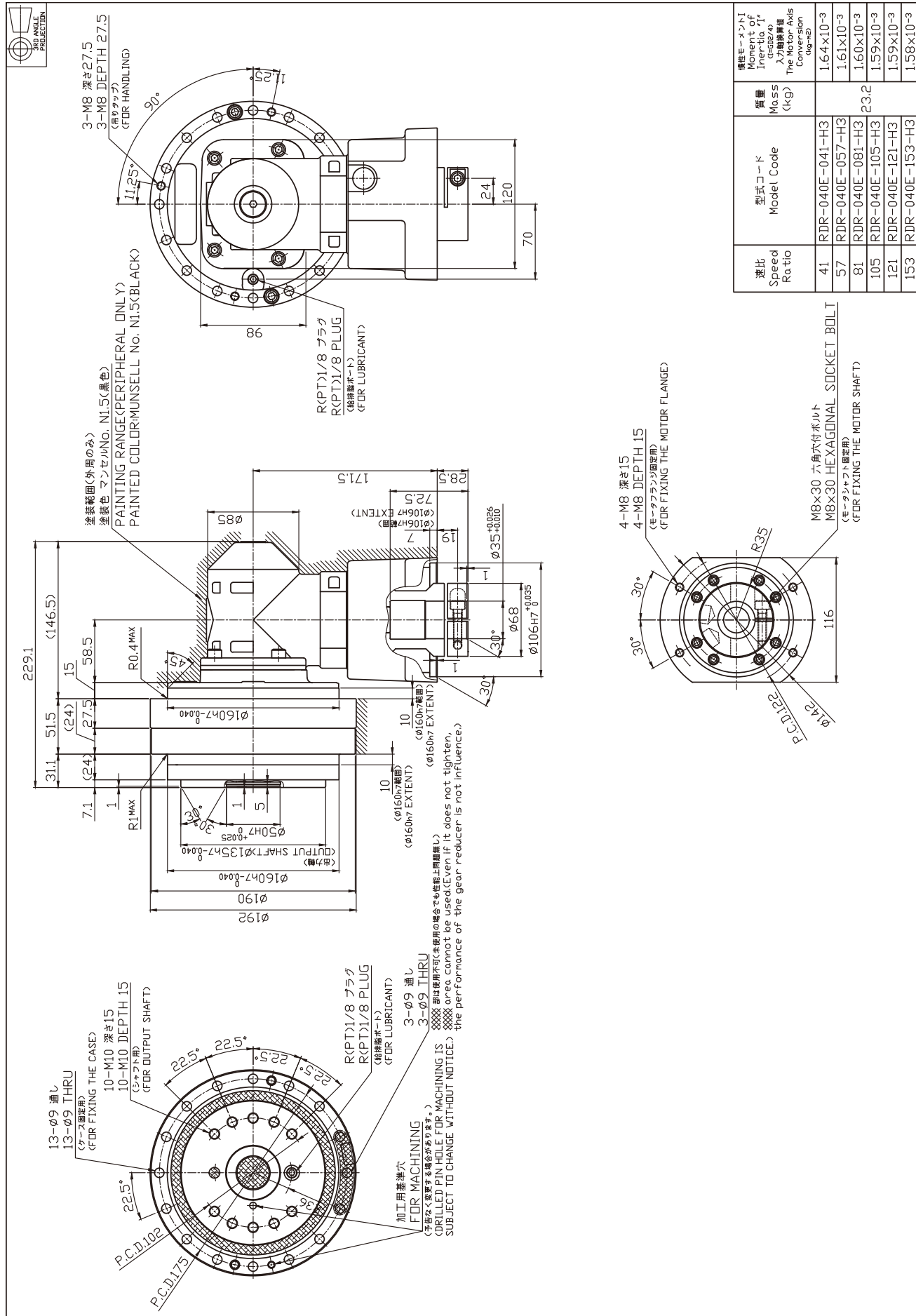
Pulley input type

Right angle input type

Straight input type

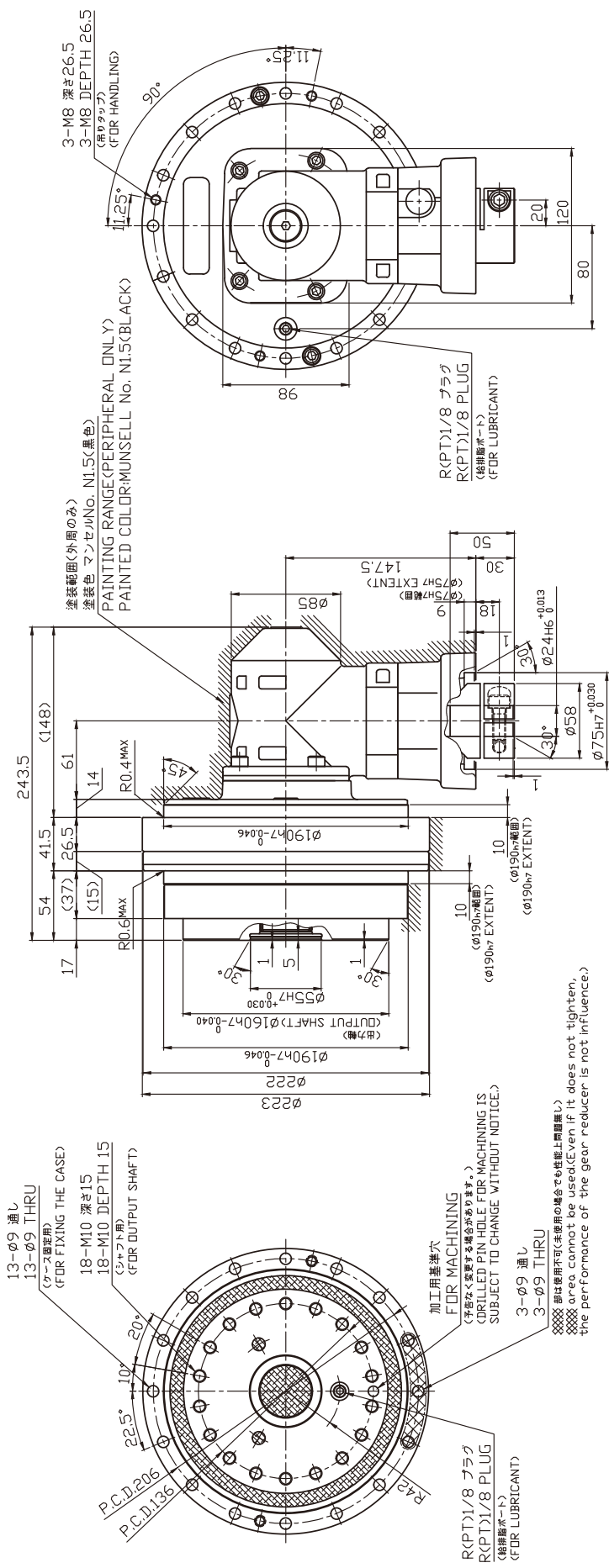
Model Code: RDR-040E-XXX-H3 (Corresponding motor shaft diameter: Ø25 to Ø35)

Specifications and dimensions are subject to change without notice.



Model Code: RDR-080E-XXX-H2 (Corresponding motor shaft diameter: $\varnothing 14$ to $\varnothing 24$)

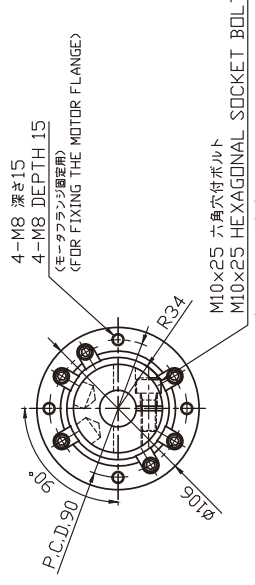
Specifications and dimensions are subject to change without notice.



- 13- $\varnothing 9$ 通し
13- $\varnothing 9$ THRU
(ケース固定用)
(FOR FIXING THE CASE)
- 18-M10 深さ15
18-M10 DEPTH 15
(シャフト用)
(FOR OUTPUT SHAFT)

- R(PT)1/8 プラグ
R(PT)1/8 PLUG
(給油プラグ)
(FOR LUBRICANT)
- 加工用基準穴
FOR MACHINING
(予告なく変更する場合があります。)
(DRILLED PIN HOLE FOR MACHINING IS
SUBJECT TO CHANGE WITHOUT NOTICE.)

※※※※ 部は使用不可(本使用の場合でも性能上問題無し)
※※※※ area cannot be used(Even if it does not tighten,
the performance of the gear reducer is not influence.)

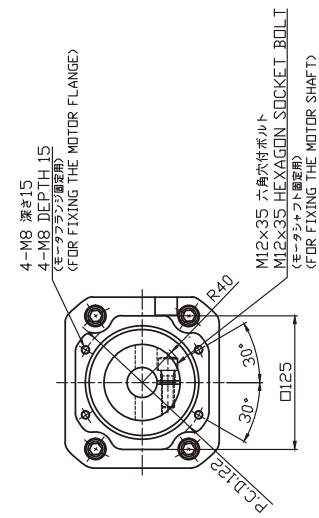
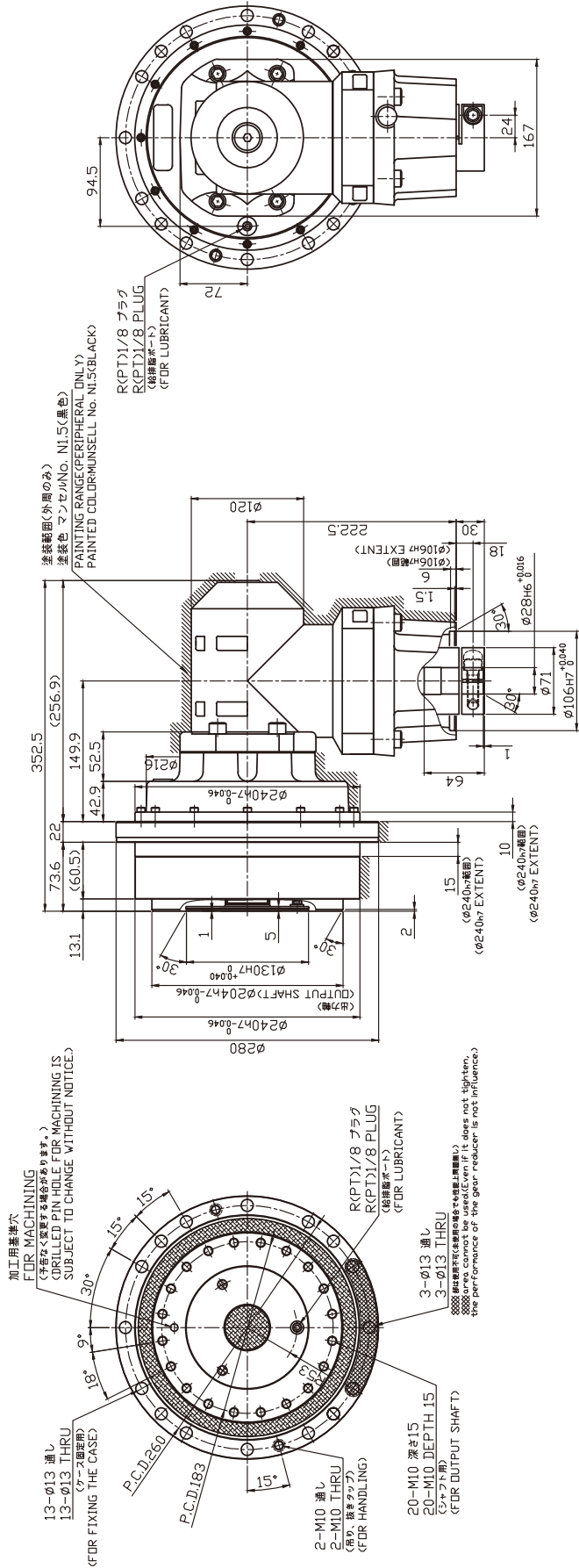


- 4-M8 深さ15
4-M8 DEPTH 15
(モータフランジ固定用)
(FOR FIXING THE MOTOR FLANGE)
- M10×25 六角穴付ボルト
M10×25 HEXAGONAL SOCKET BOLT
(モータシャフト固定用)
(FOR FIXING THE MOTOR SHAFT)

速比 Speed Ratio	型式コード Model Code	質量 Mass (kg)	慣性モーメント Moment of Inertia, J_r (cm^2/s^2) 入出力軸計算 The Motor Axis Calculation (cm^2/s^2)
41	RDR-080E-041-H2		8.97×10 ⁻⁴
57	RDR-080E-057-H2		8.49×10 ⁻⁴
81	RDR-080E-081-H2	26.8	8.19×10 ⁻⁴
101	RDR-080E-101-H2		8.04×10 ⁻⁴
121	RDR-080E-121-H2		7.95×10 ⁻⁴
153	RDR-080E-153-H2		7.85×10 ⁻⁴

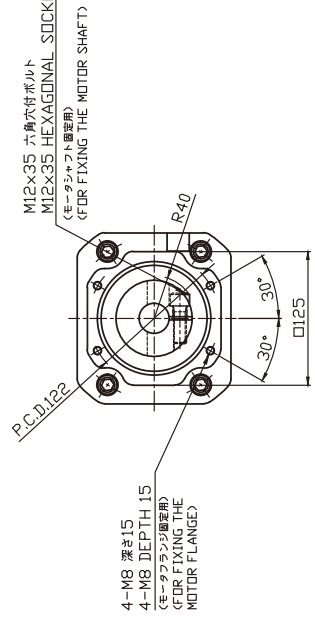
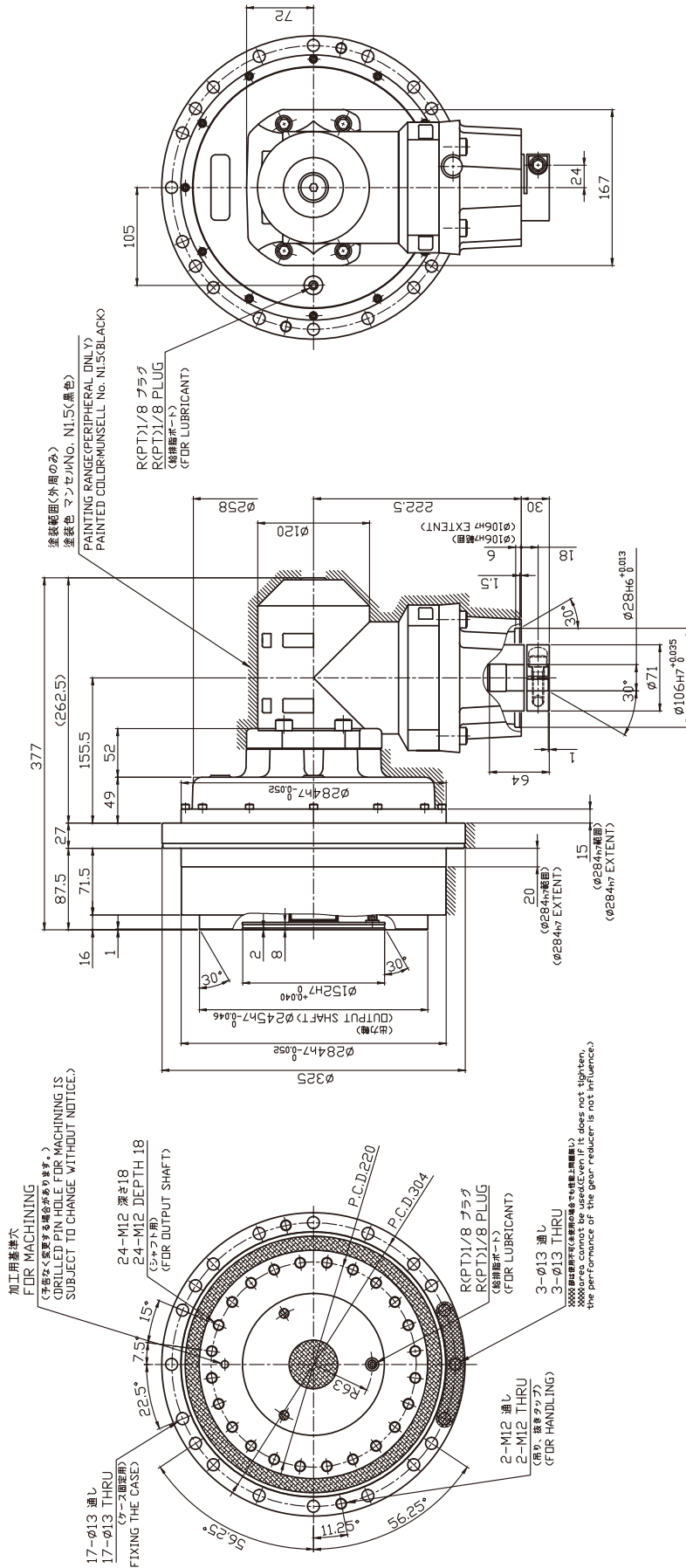
Model Code: RDR-160E-XXX-H4 (Corresponding motor shaft diameter: Ø19 to Ø28)

Specifications and dimensions are subject to change without notice.



速比 Speed Ratio	型式コード Model Code	質量 Mass (kg)	慣性モーメント Moment of Inertia, J_r (cm ² /s ²) 慣性質量 The Mass-Asis Conversion (kg-m ²)
66	RDR-160E-066-H4		5.01x10 ⁻³
81	RDR-160E-081-H4		4.95x10 ⁻³
101	RDR-160E-101-H4	65.6	4.90x10 ⁻³
121	RDR-160E-121-H4		4.87x10 ⁻³
145	RDR-160E-145-H4		4.83x10 ⁻³
171	RDR-160E-171-H4		4.80x10 ⁻³

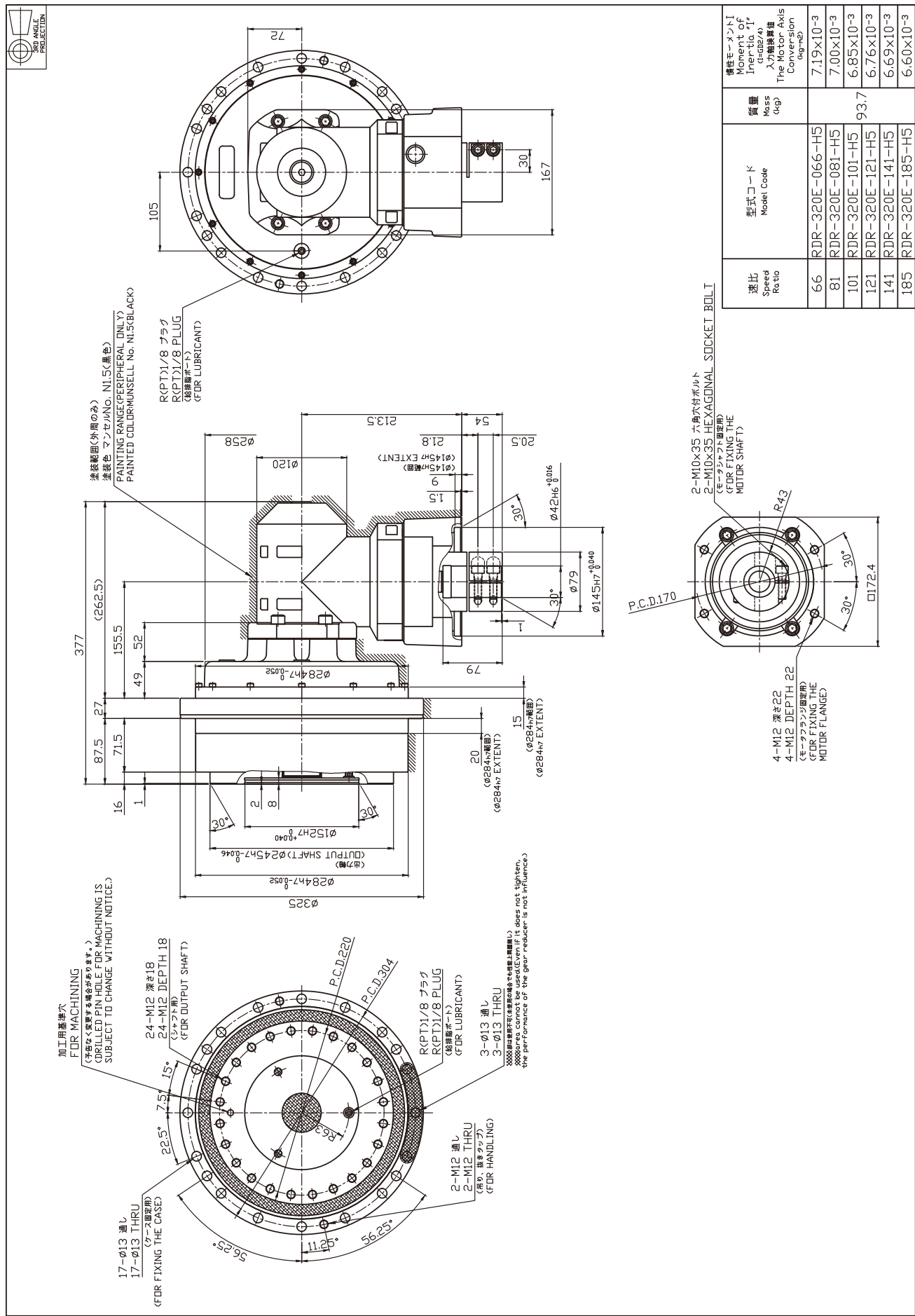
Model Code: RDR-320E-XXX-H4 (Corresponding motor shaft diameter: Ø19 to Ø28) Specifications and dimensions are subject to change without notice.



選比 Speed Ratio	型式コード Model Code	質量 Mass (kg)	慣性モーメント Moment of Inertia J _r (cm ² /4)
66	RDR-320E-066-H4	91.2	5.52x10 ⁻³
81	RDR-320E-081-H4		5.33x10 ⁻³
101	RDR-320E-101-H4		5.18x10 ⁻³
121	RDR-320E-121-H4		5.09x10 ⁻³
141	RDR-320E-141-H4		5.02x10 ⁻³
185	RDR-320E-185-H4		4.93x10 ⁻³

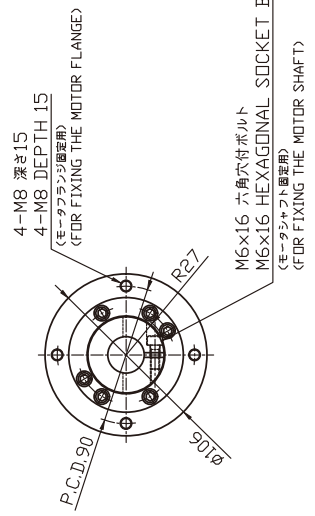
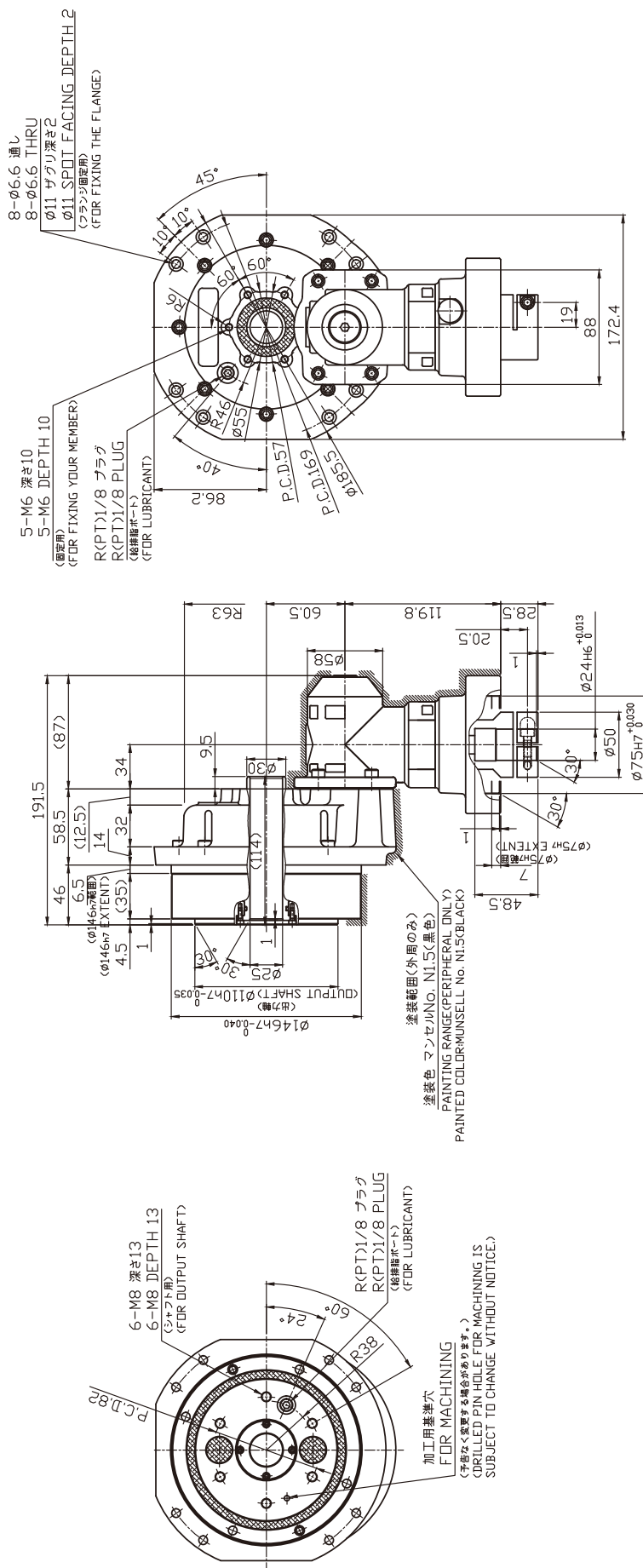
Model Code: RDR-320E-XXX-H5 (Corresponding motor shaft diameter: Ø32 to Ø42)

Specifications and dimensions are subject to change without notice.



Model Code: RDR-010C-XXX-H1 (Corresponding motor shaft diameter: $\phi 14$ to $\phi 24$)

Specifications and dimensions are subject to change without notice.



速比 Speed Ratio	型式コード Model Code	質量 Mass (kg)	慣性モーメント Moment of Inertia J _T (cm ² /s ²)
81	RDR-010C-081-H1		9.34x10 ⁻⁴
108	RDR-010C-108-H1		9.26x10 ⁻⁴
153	RDR-010C-153-H1	13.0	9.11x10 ⁻⁴
189	RDR-010C-189-H1		9.05x10 ⁻⁴
243	RDR-010C-243-H1		8.99x10 ⁻⁴

Technical Information

Option: Base flange

Motor flange / bushing

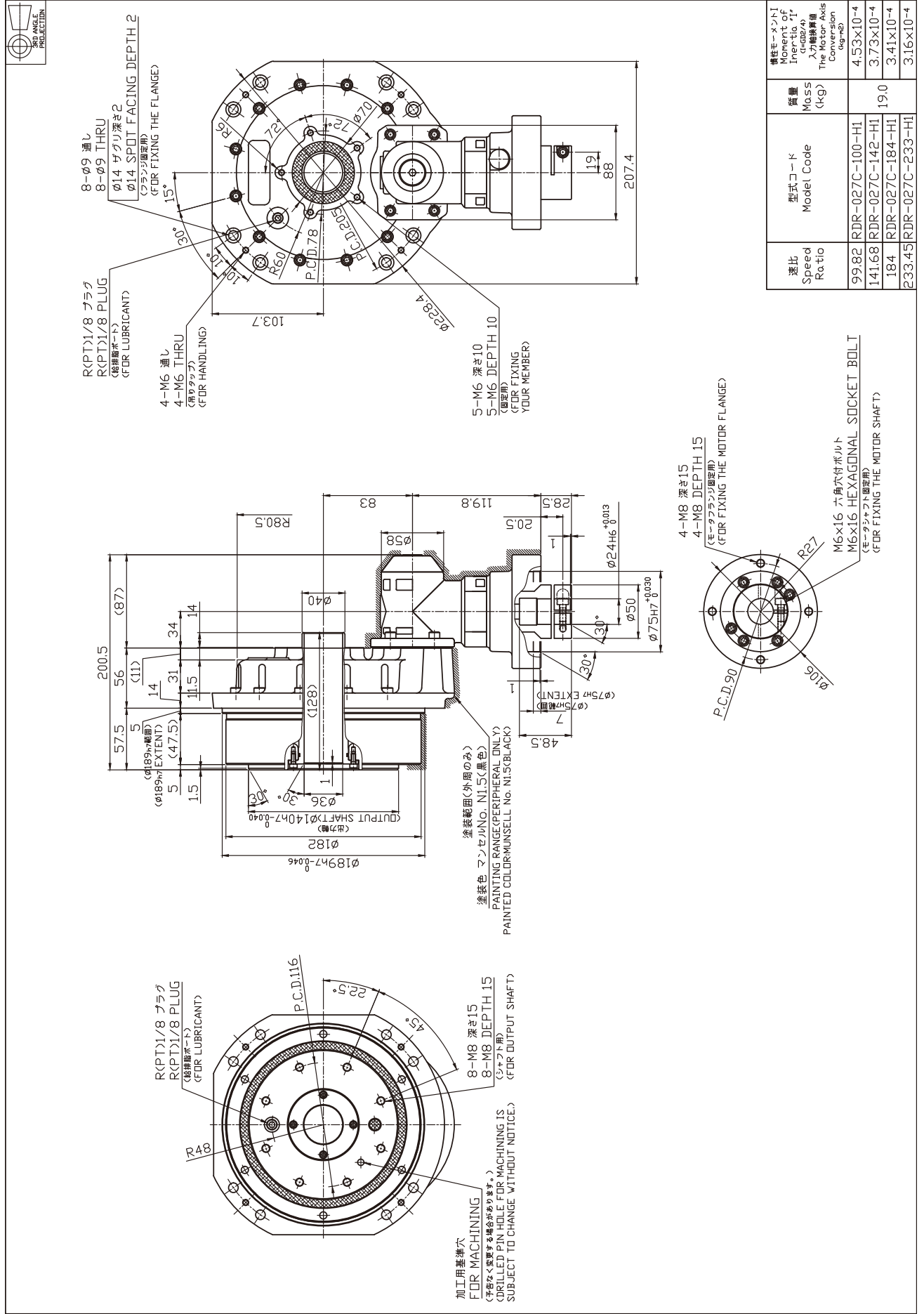
Pulley input type

Right angle input type

Straight input type

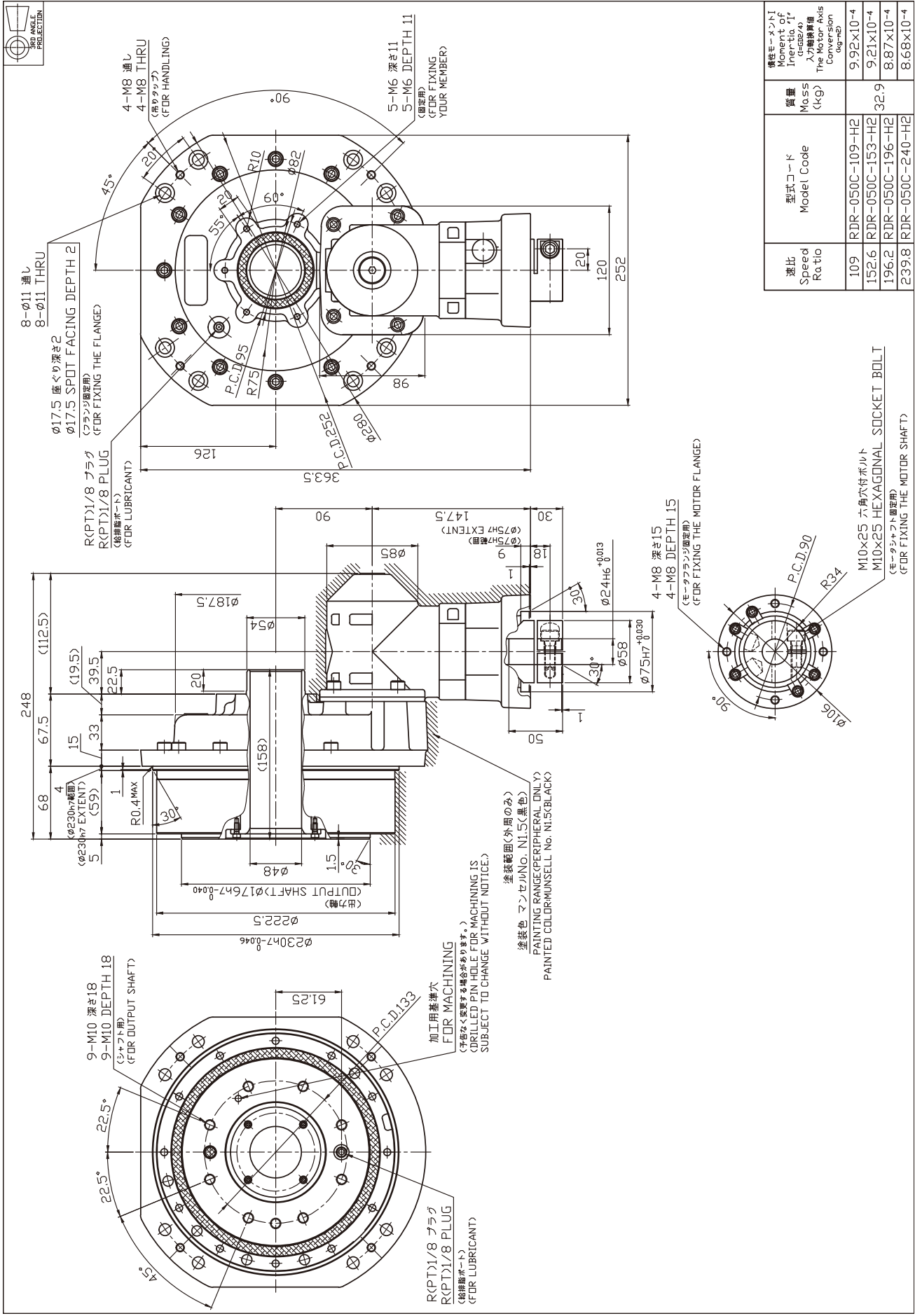
Model Code: RDR-027C-XXX-H1 (Corresponding motor shaft diameter: Ø14 to Ø24)

Specifications and dimensions are subject to change without notice.



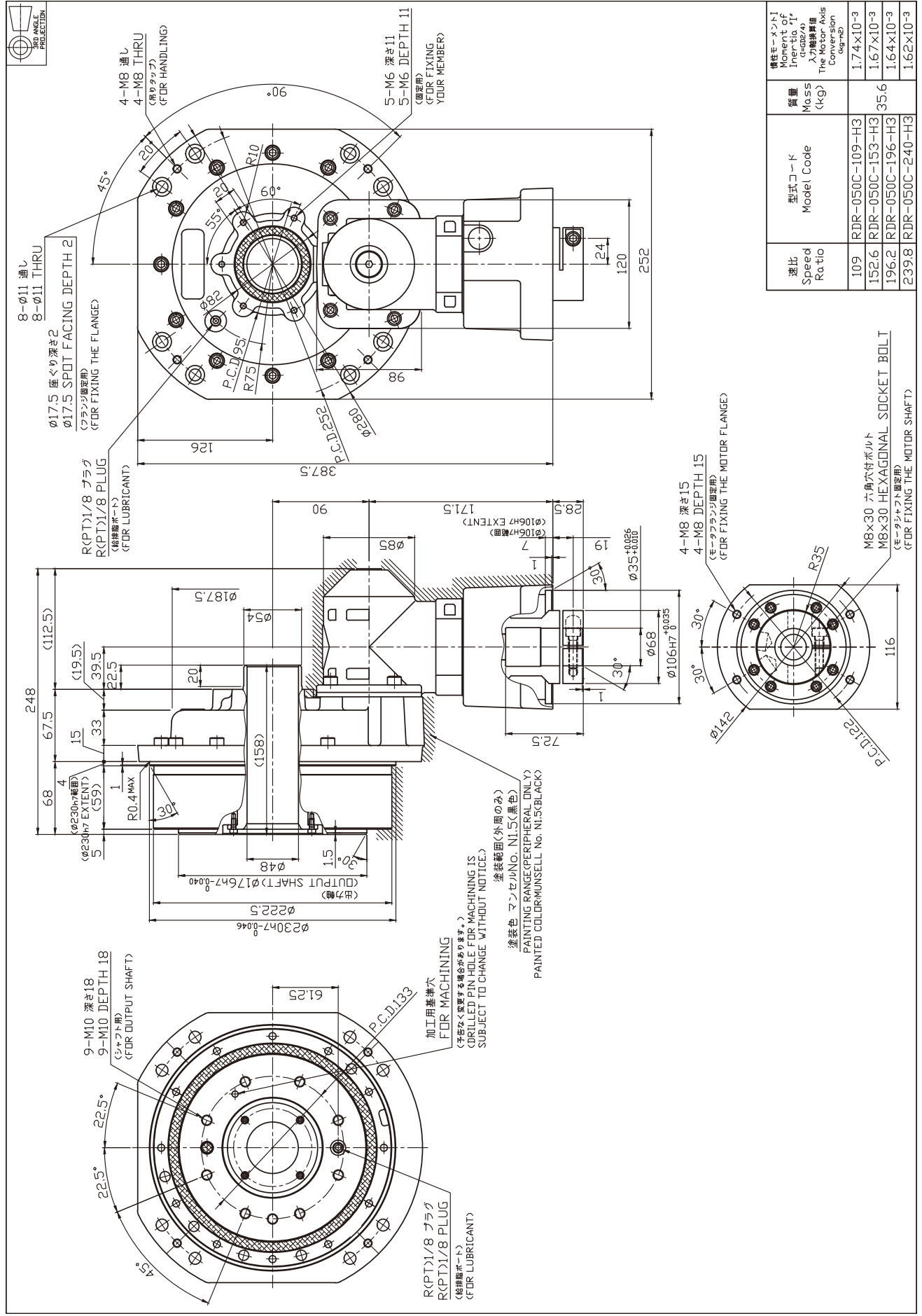
Model Code: RDR-050C-XXX-H2 (Corresponding motor shaft diameter: $\varnothing 14$ to $\varnothing 24$)

Specifications and dimensions are subject to change without notice.



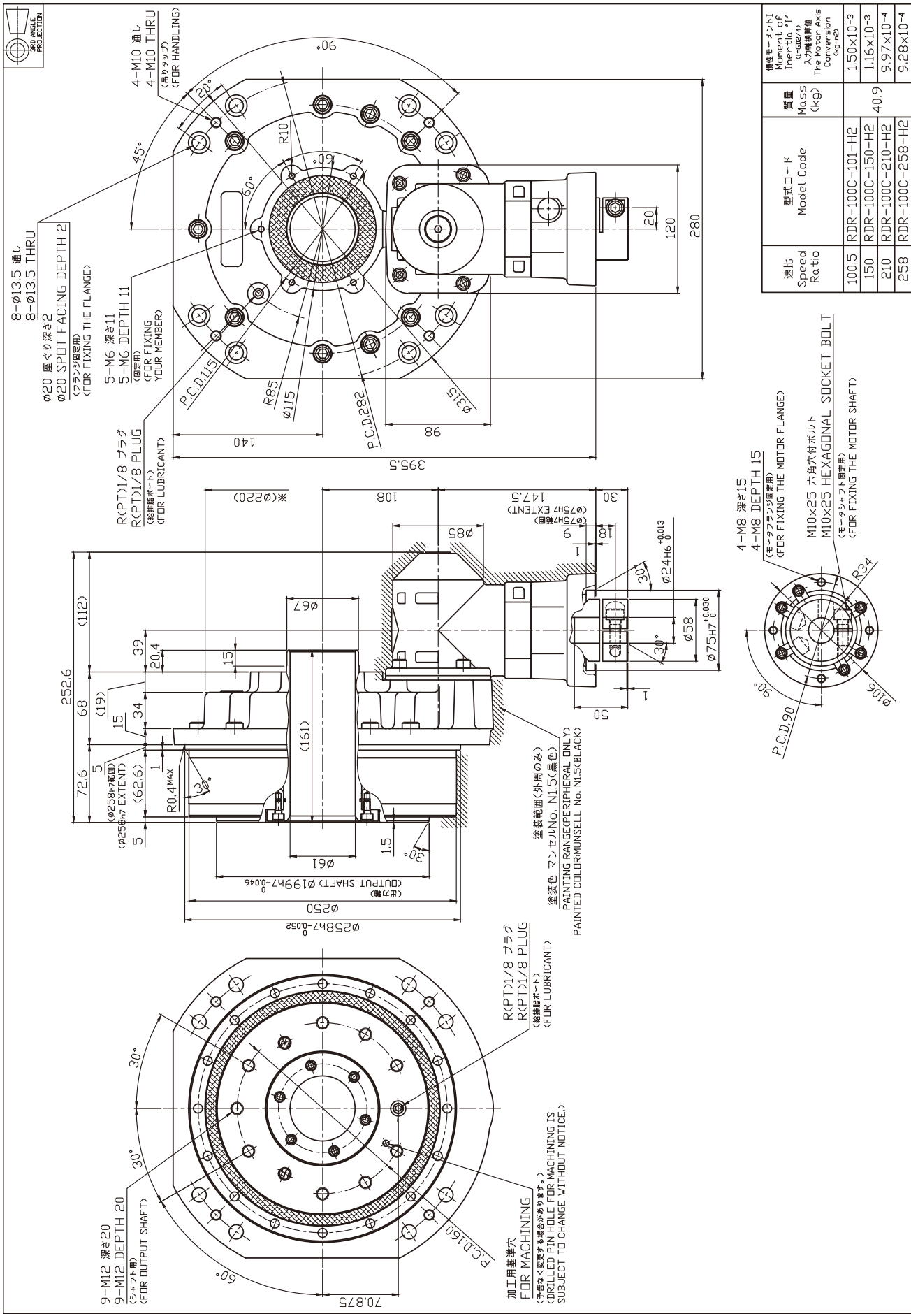
Model Code: RDR-050C-XXX-H3 (Corresponding motor shaft diameter: Ø25 to Ø35)

Specifications and dimensions are subject to change without notice.



Model Code: RDR-100C-XXX-H2 (Corresponding motor shaft diameter: $\varnothing 14$ to $\varnothing 24$)

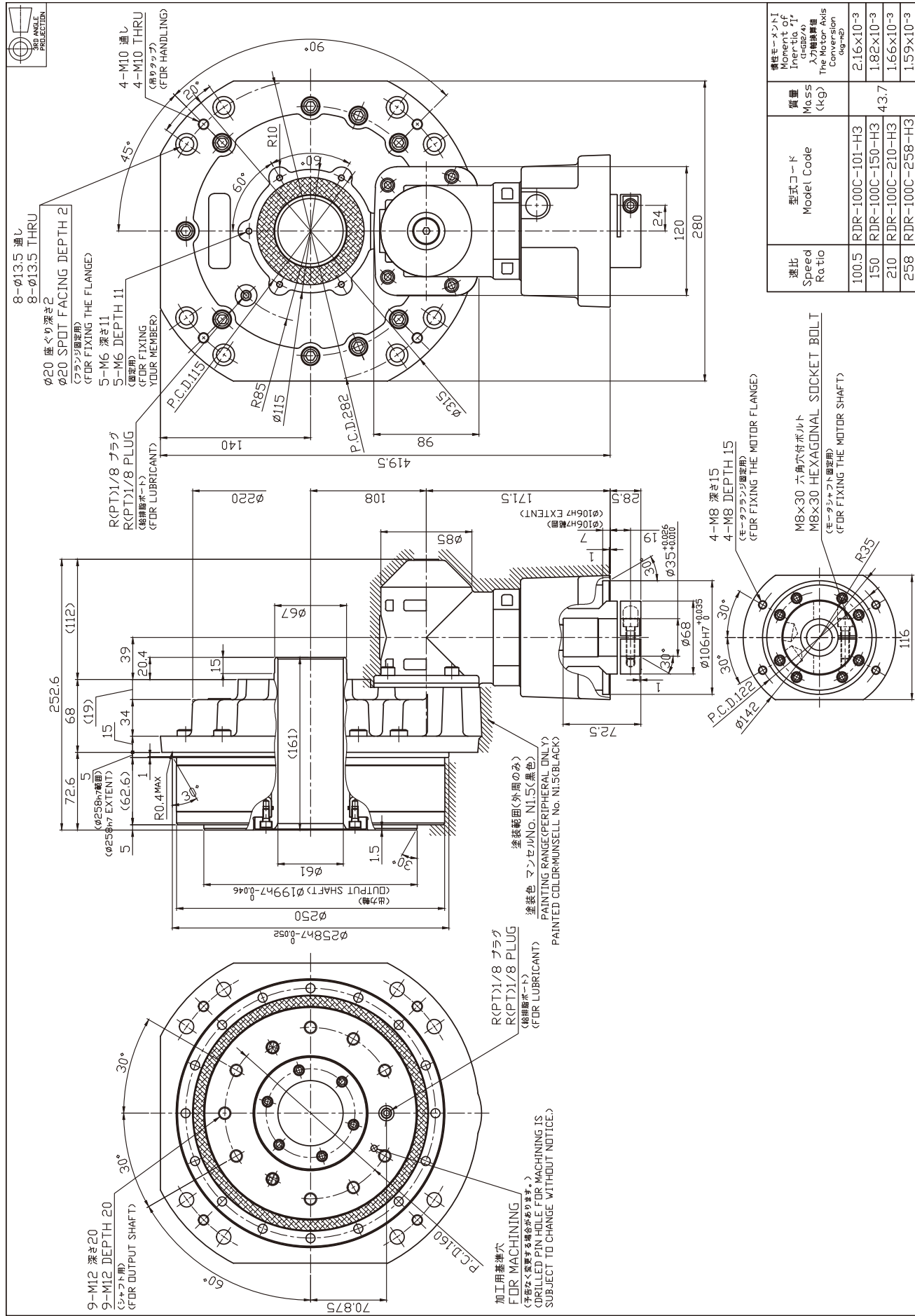
Specifications and dimensions are subject to change without notice.



速比 Speed Ratio	型式コード Model Code	質量 Mass (kg)	慣性モーメント Moment of Inertia I_r (cm^2/s^2)	入力軸回転速度 The Motor-Axis Rotation Speed (rpm)
100.5	RDR-100C-101-H2			1.50 \times 10 ⁻³
150	RDR-100C-150-H2	40.9		1.16 \times 10 ⁻³
210	RDR-100C-210-H2			9.97 \times 10 ⁻⁴
258	RDR-100C-258-H2			9.28 \times 10 ⁻⁴

Model Code: RDR-100C-XXX-H3 (Corresponding motor shaft diameter: Ø25 to Ø35)

Specifications and dimensions are subject to change without notice.



Technical Information

Option: Base flange

Motor flange / bushing

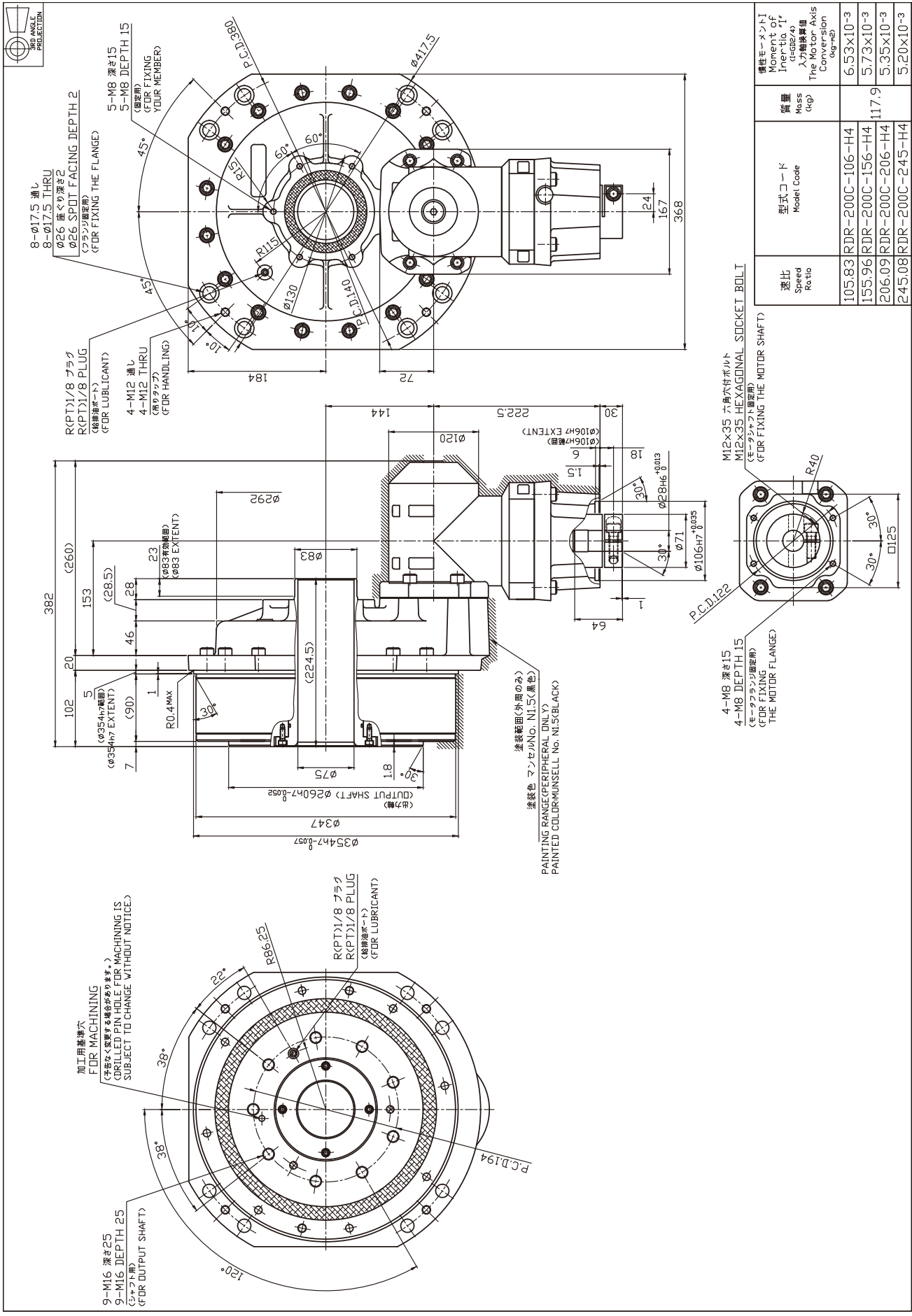
Pulley input type

Right angle input type

Straight input type

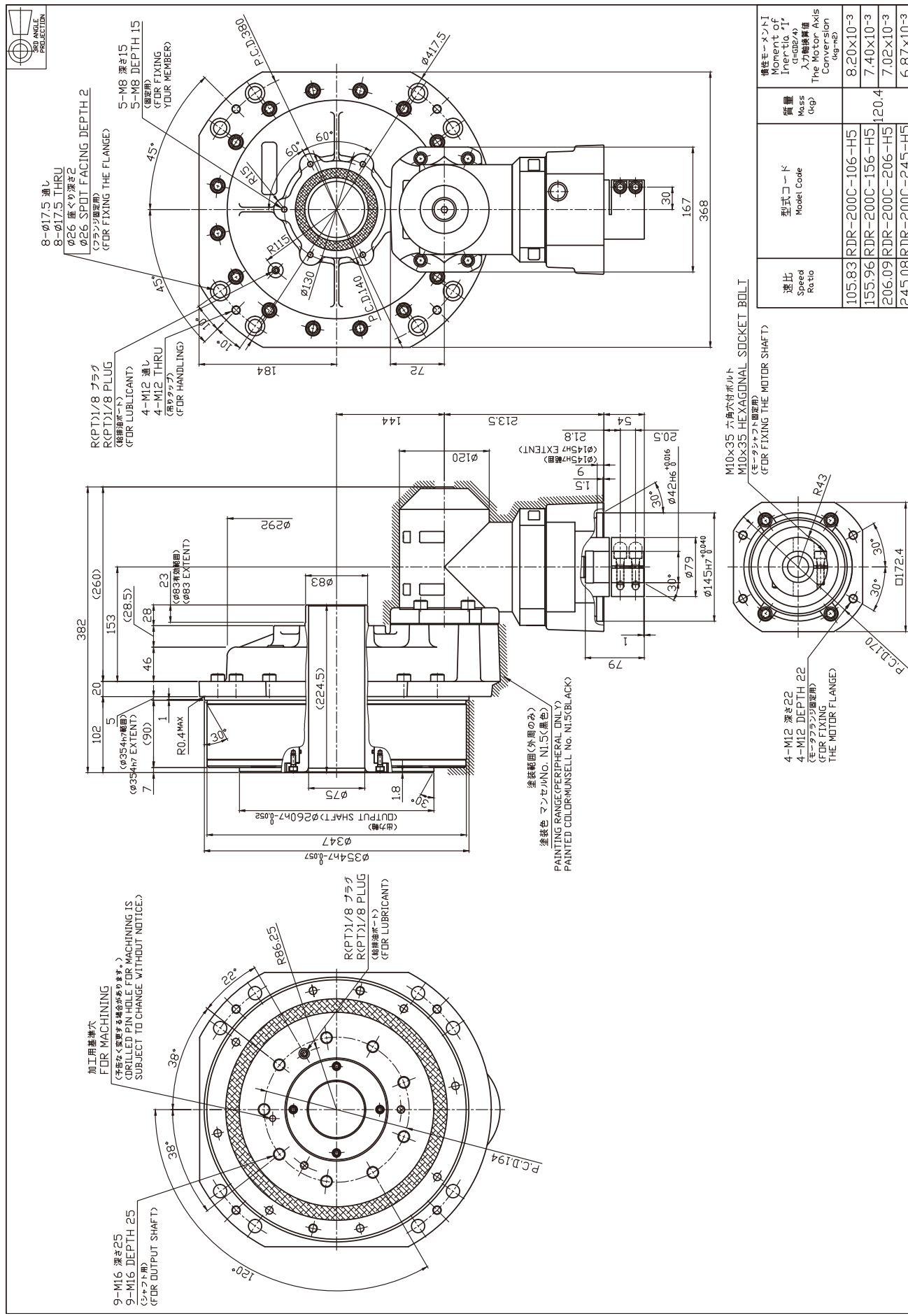
Model Code: RDR-200C-XXX-H4 (Corresponding motor shaft diameter: $\varnothing 19$ to $\varnothing 28$)

Specifications and dimensions are subject to change without notice.



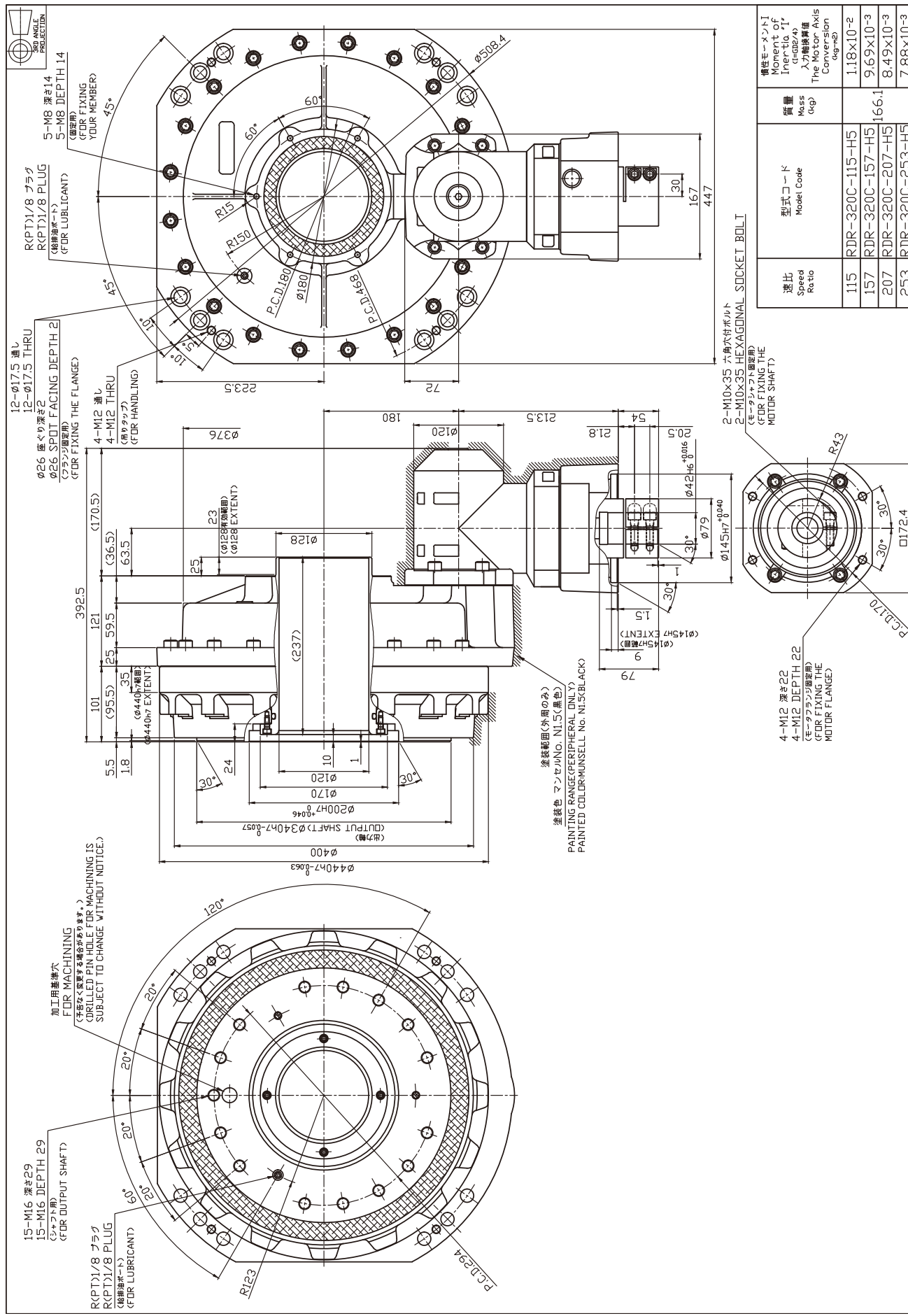
Model Code: RDR-200C-XXX-H5 (Corresponding motor shaft diameter: Ø32 to Ø42)

Specifications and dimensions are subject to change without notice.



Model Code: RDR-320C-XXX-H5 (Corresponding motor shaft diameter: Ø32 to Ø42)

Specifications and dimensions are subject to change without notice.



Technical Information

Option: Base flange

Motor flange / bushing

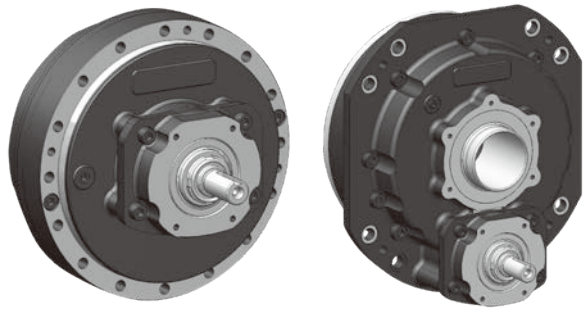
Pulley input type

Right angle input type

Straight input type



Pulley input type



Pulley input type code description / configuration diagram

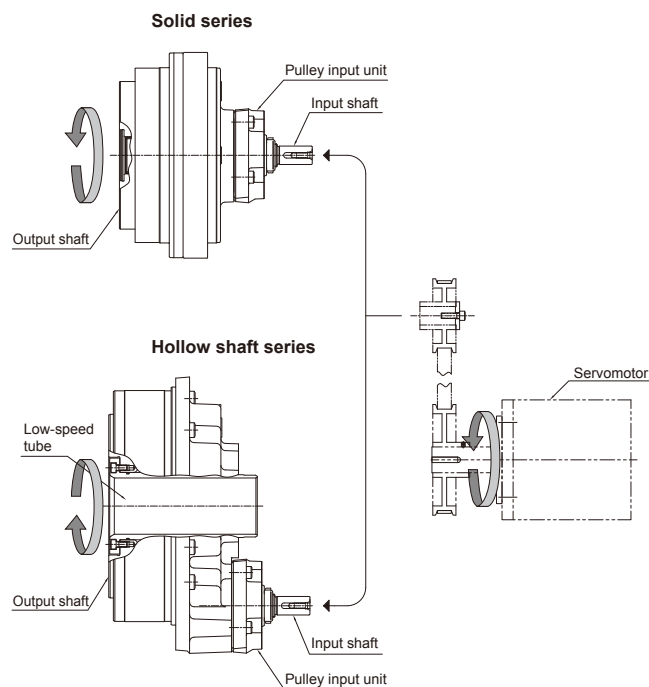
Product code

RD P - 050 C - 109 - F3 - ZZ - ZZ

Model Code			Ratio Code	Input unit code	Motor flange code	Bushing code
Pulley input code	Torque code	Series code				
P	020	E: Solid series	081	F0	ZZ: No motor flange (The pulley input type does not come with a motor flange.)	ZZ: No bushing (The pulley input type does not come with a bushing.)
	040		057	F3		
	080		081	F4		
	160		066	F6		
	320		081	F7		
	010	C: Hollow shaft series	108	F1		
	027		100	F2		
	050		109	F3		
	100		101	F5		
	200		106	F8		
	320		157	F9		

The input unit code for the pulley input type is one code for each model number.

Configuration diagram



Straight input type

Right angle input type

Pulley input type

Motor flange / bushing

Option: Base flange

Technical Information

Rating table Pulley input type

Solid series

Model Code	Ratio code (Reduction ratio value)	Reduction Gear											Input shaft			External Dimensions				
		T ₀	N ₀	K	T _{S1}	T _{S2}	N _{in}	N _S	N _{To}	Back-lash	Lost motion	Start-up Efficiency	M ₀	Wr	M _{0in}		M _{Sin}	β dimensions		
		Rated Torque (Nm)	Rated Output Speed (rpm)	Life Rating (h)	Allowable Startup/Stop Torque (Nm)	Momentary maximum allowable torque (Nm)	Allowable Input Speed (Note 2) (rpm)	Allowable Output Speed (Note 2) (rpm)	Reference value to output speed during continuous operation at rated torque (rpm)				Allowable moment (Note 3) (Nm)	Allowable radial load (Note 8) (N)	Rated moment (Nm)		Allowable moment (Nm)		(mm)	
RDP-020E	081 (81)	167	15	6,000	412	833	3,500	43	43	1.0	1.0	75	882	7,785	38	38	58	Input Unit Code : F0 —P.71		
RDP-040E	057 (57)	412			1,029	2,058												3,000	53	25
RDP-080E	081 (81)	784			1,960	3,920	37	24	133						295	86.6	Input Unit Code : F4 —P.73			
RDP-160E	066 (66)	1,568			3,920	7,840											30			
RDP-320E	081 (81)	3,136			7,840	15,680	2,000	25	12						158	417		Input Unit Code : F7 —P.75		

Hollow shaft series

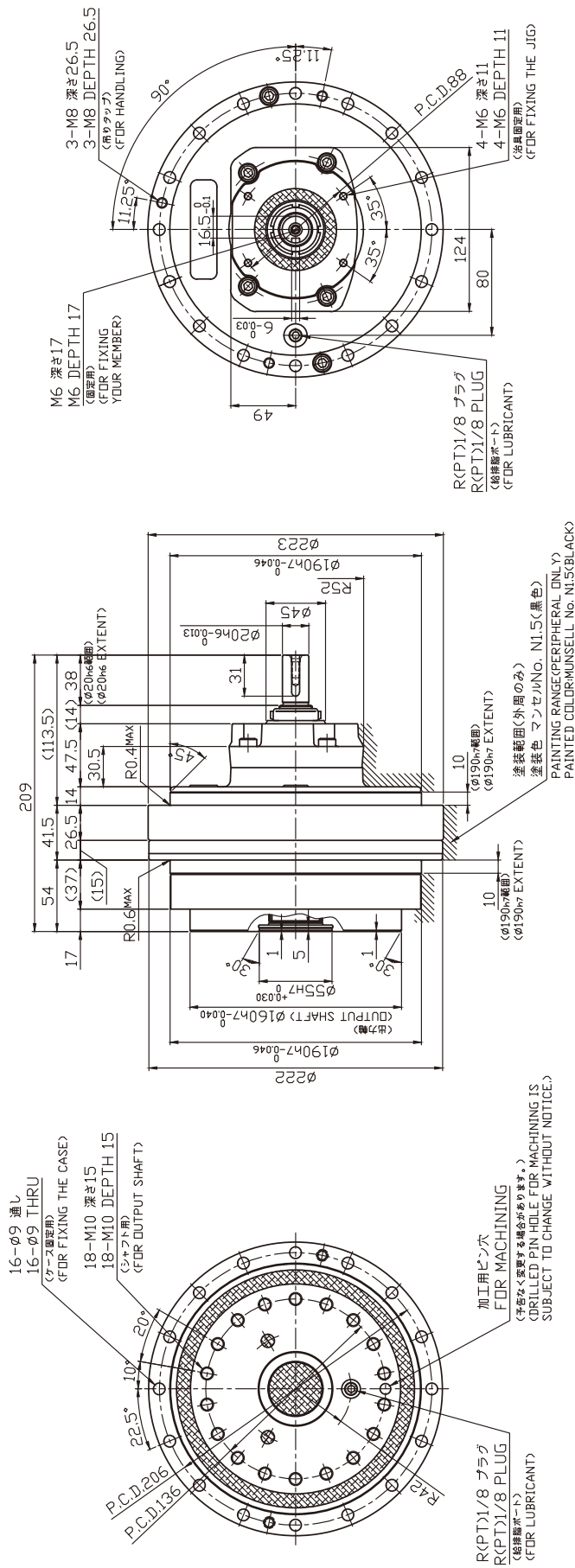
Model Code	Ratio code (Reduction ratio value)	Reduction Gear											Input shaft			External Dimensions				
		T ₀	N ₀	K	T _{S1}	T _{S2}	N _{in}	N _S	N _{To}	Back-lash	Lost motion	Start-up Efficiency	M ₀	Wr	M _{0in}		M _{Sin}	β dimensions		
		Rated Torque (Nm)	Rated Output Speed (rpm)	Life Rating (h)	Allowable Startup/Stop Torque (Nm)	Momentary maximum allowable torque (Nm)	Allowable Input Speed (Note 2) (rpm)	Allowable Output Speed (Note 2) (rpm)	Reference value to output speed during continuous operation at rated torque (rpm)				Allowable moment (Note 3) (Nm)	Allowable radial load (Note 8) (N)	Rated moment (Nm)		Allowable moment (Nm)		(mm)	
RDP-010C	108 (108)	98	15	6,000	245	490	3,500	32	32	1.0	1.0	75	686	5,755	38	38	58	Input Unit Code : F1 —P.76		
RDP-027C	100 (99.82)	265			662	1,323												3,000	35	28
RDP-050C	109 (109)	490			1,225	2,450	28	23	90						134	73.8	Input Unit Code : F3 —P.78			
RDP-100C	101 (100.5)	980			2,450	4,900											30			
RDP-200C	106 (105.83)	1,960			4,900	9,800	2,000	19	14						158	215		Input Unit Code : F8 —P.80		
RDP-320C	157 (157)	3,136			7,840	15,680											13	13	86.6	215

Notes:

- The rating table shows the specification values including the entry fields for reduction gear values.
- The allowable speed may be limited by heat depending on the operating rate. Make sure the surface temperature of the reduction gear does not exceed 60°C during use.
- The allowable moment will differ depending on the thrust load. Check the allowable moment diagram (p.131).
- For the moment of inertia of the reduction gears, refer to the external dimension drawings for the reduction gear.
- For the moment rigidity and torsional rigidity, refer to the calculation of tilt angle and the torsion angle (p.137).
- The rated torque is the value that produces the rated service life based on operation at the rated output speed; it does not indicate the maximum load. Refer to the "Glossary" (p.121) and the "Product selection flowchart" (p.122).
- The specifications above are based on Nabtesco evaluation methods; this product should only be used after confirming that it is appropriate for the operating conditions of your system.
- When the radial load is applied within dimension b (see page 137), use the reduction gear within the allowable radial load.

Model Code: RDP-080E-081-F4

Specifications and dimensions are subject to change without notice.



速比 Speed Ratio	型式コード Model Code	質量 Mass (kg)	慣性モーメント Moment of Inertia (g-cm ² /s ²)
81	RDP-080E-081-F4	22.8	1.92x10 ⁻⁴
			入力軸換算 The Motor-Axis Conversion (kg-cm ²)

Technical Information

Option: Base flange

Motor flange / bushing

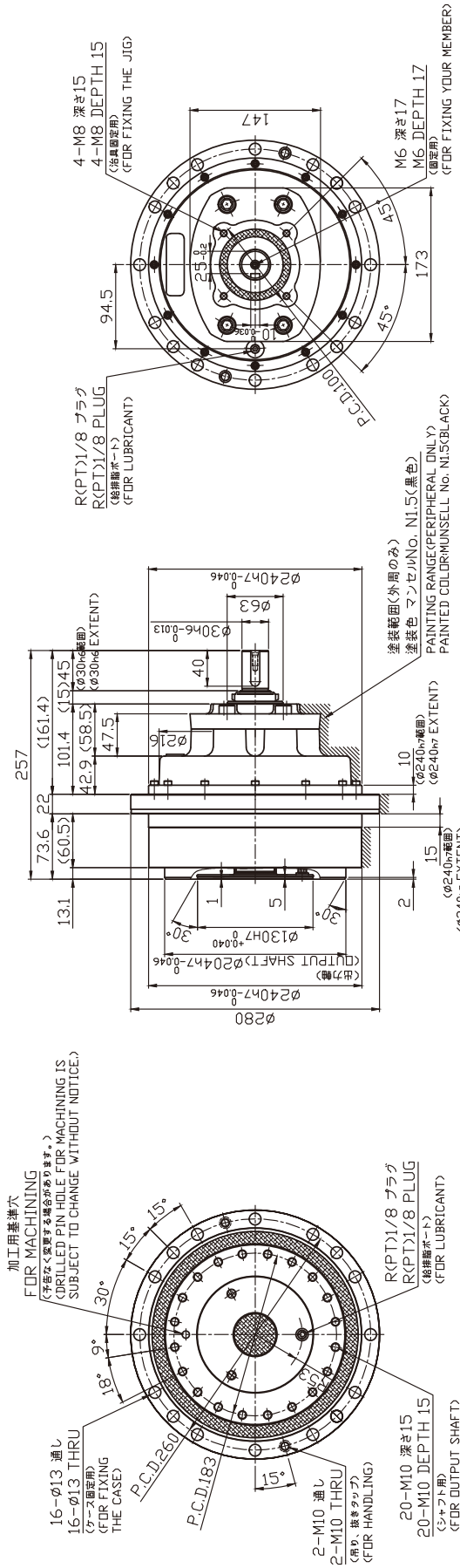
Pulley input type

Right angle input type

Straight input type

Model Code: RDP-160E-066-F6

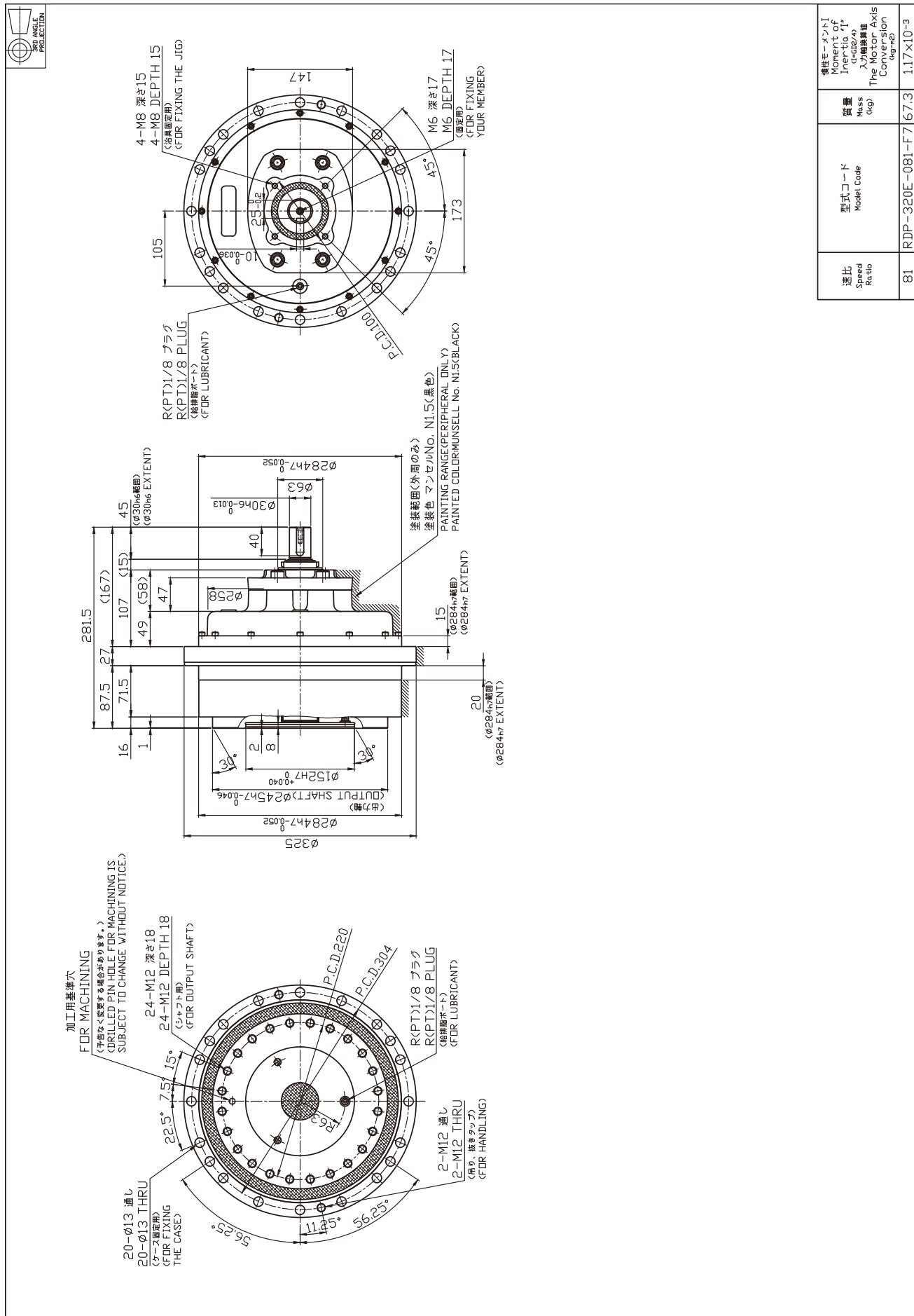
Specifications and dimensions are subject to change without notice.



速度 Speed Ratio	型式コード Model Code	質量 Mass (kg)	慣性モーメント Moment of Inertia, J kg-cm ² 入力軸換算値 The Motor Axis Conversion (kg-cm ²)
66	RDP-160E-066-F6	41.9	8.94×10 ⁻⁴

Model Code: RDP-320E-081-F7

Specifications and dimensions are subject to change without notice.



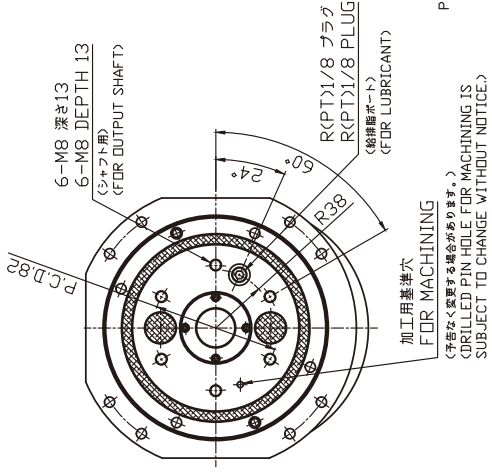
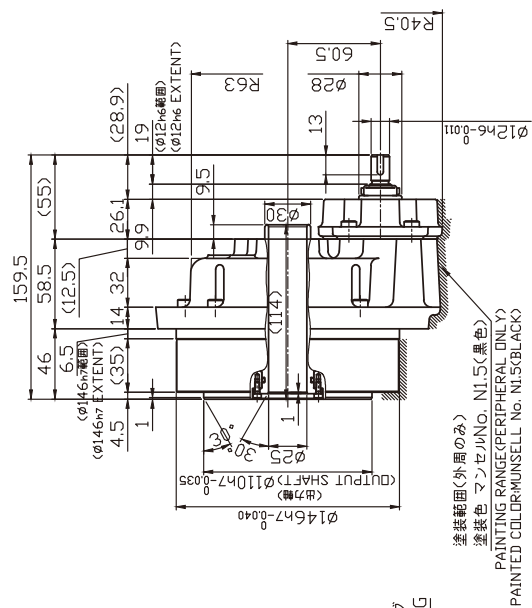
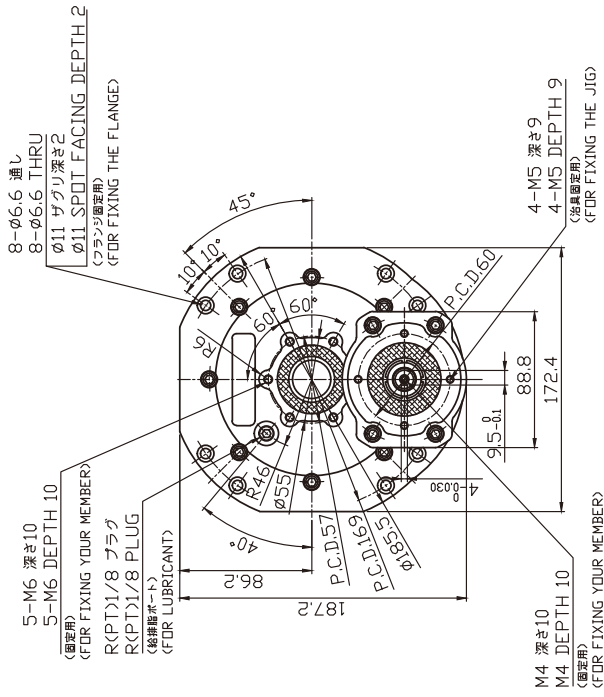
速度 Speed Ratio	型式コード Model Code	質量 Mass (kg)	慣性モーメント Moment of Inertia (g-cm ² /s ²)
81	RDP-320E-081-F7	67.3	1.17x10 ⁻³

入力軸換算
The Motor Axis Conversion (kg-m²)

Technical Information Option: Base flange Motor flange / bushing Pulley input type Right angle input type Straight input type

Model Code: RDP-010C-108-F1

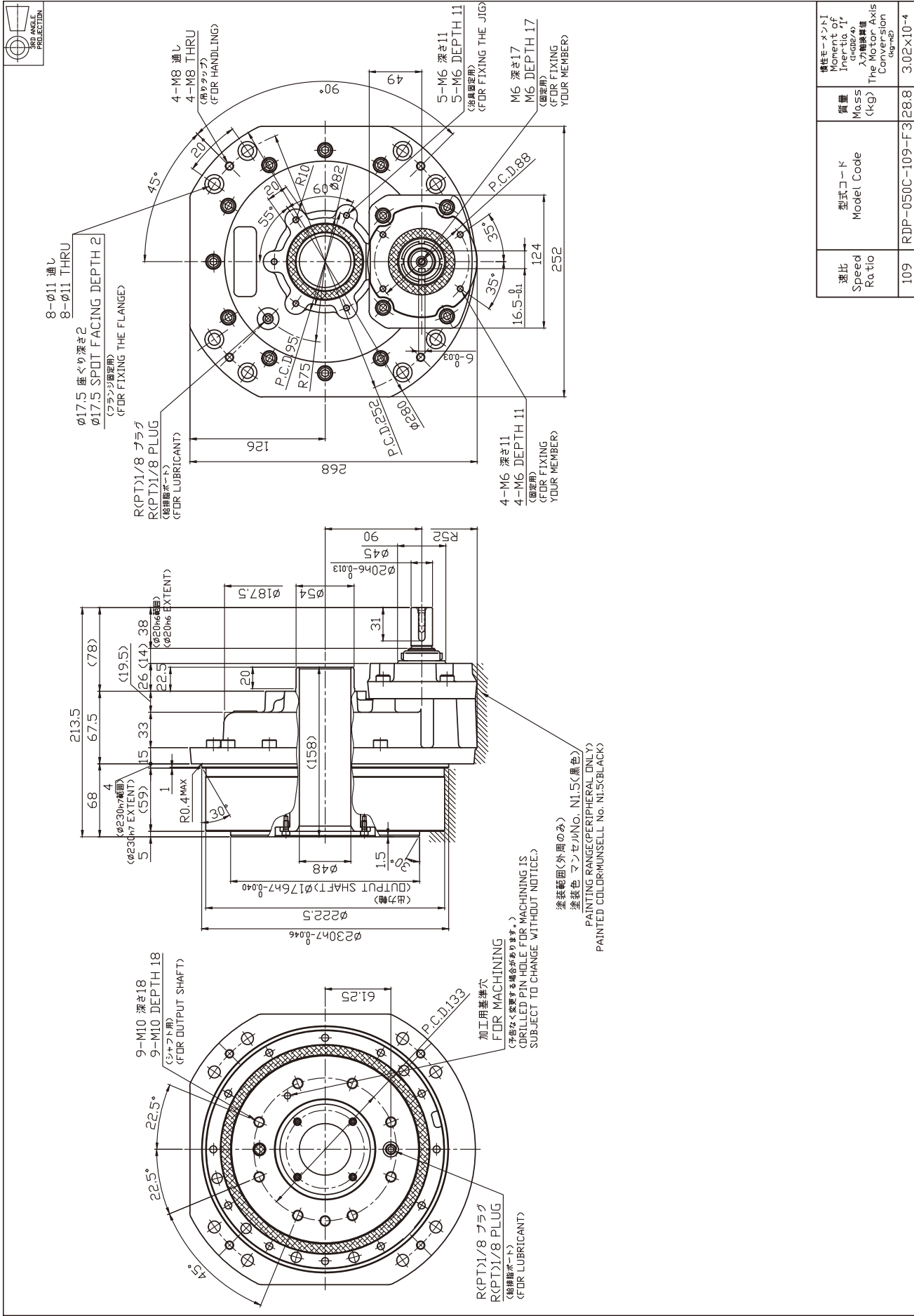
Specifications and dimensions are subject to change without notice.



速度 Speed Ratio	108	型式コード Model Code	RDP-010C-108-F1	質量 Mass (kg)	10.3	慣性モーメント Moment of Inertia, I _a J _a (kg·m ²)	5.52×10 ⁻⁵
-------------------	-----	---------------------	-----------------	-----------------	------	---	-----------------------

Model Code: RDP-050C-109-F3

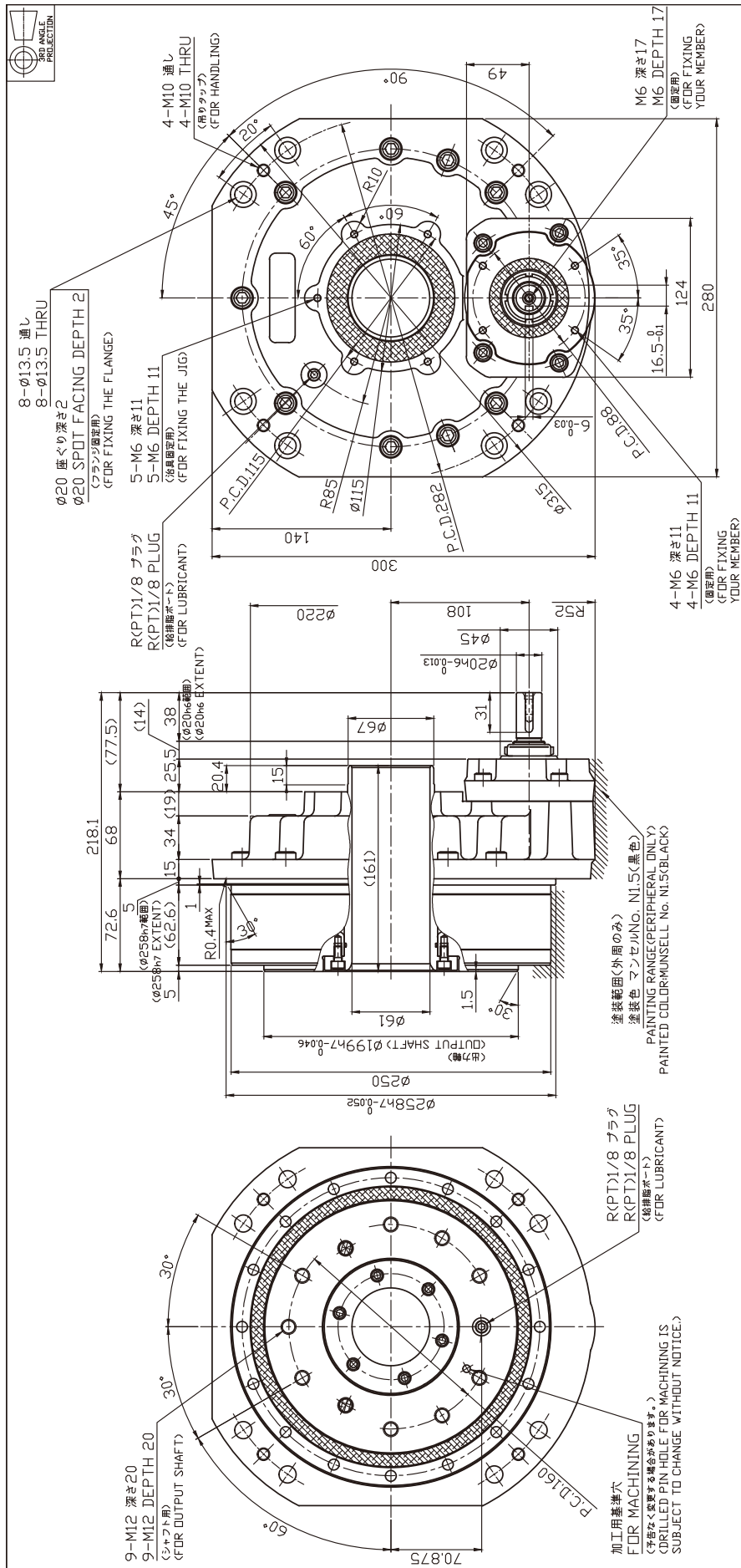
Specifications and dimensions are subject to change without notice.



速度 Speed Ratio	型式コード Model Code	質量 Mass (kg)	慣性モーメント Moment of Inertia, J _r (kg·m ²)
109	RDP-050C-109-F3	28.8	3.02×10 ⁻⁴

Model Code: RDP-100C-101-F5

Specifications and dimensions are subject to change without notice.



速比 Speed Ratio	型式コード Model Code	質量 Mass (kg)	慣性モーメント Moment of Inertia J _r (cm ² /s ²)
100.5	RDP-100C-101-F5	36.9	9.05×10 ⁻⁴
			入力軸換算 The Motor Axis Conversion (kg·m ²)

Technical Information

Option: Base flange

Motor flange / bushing

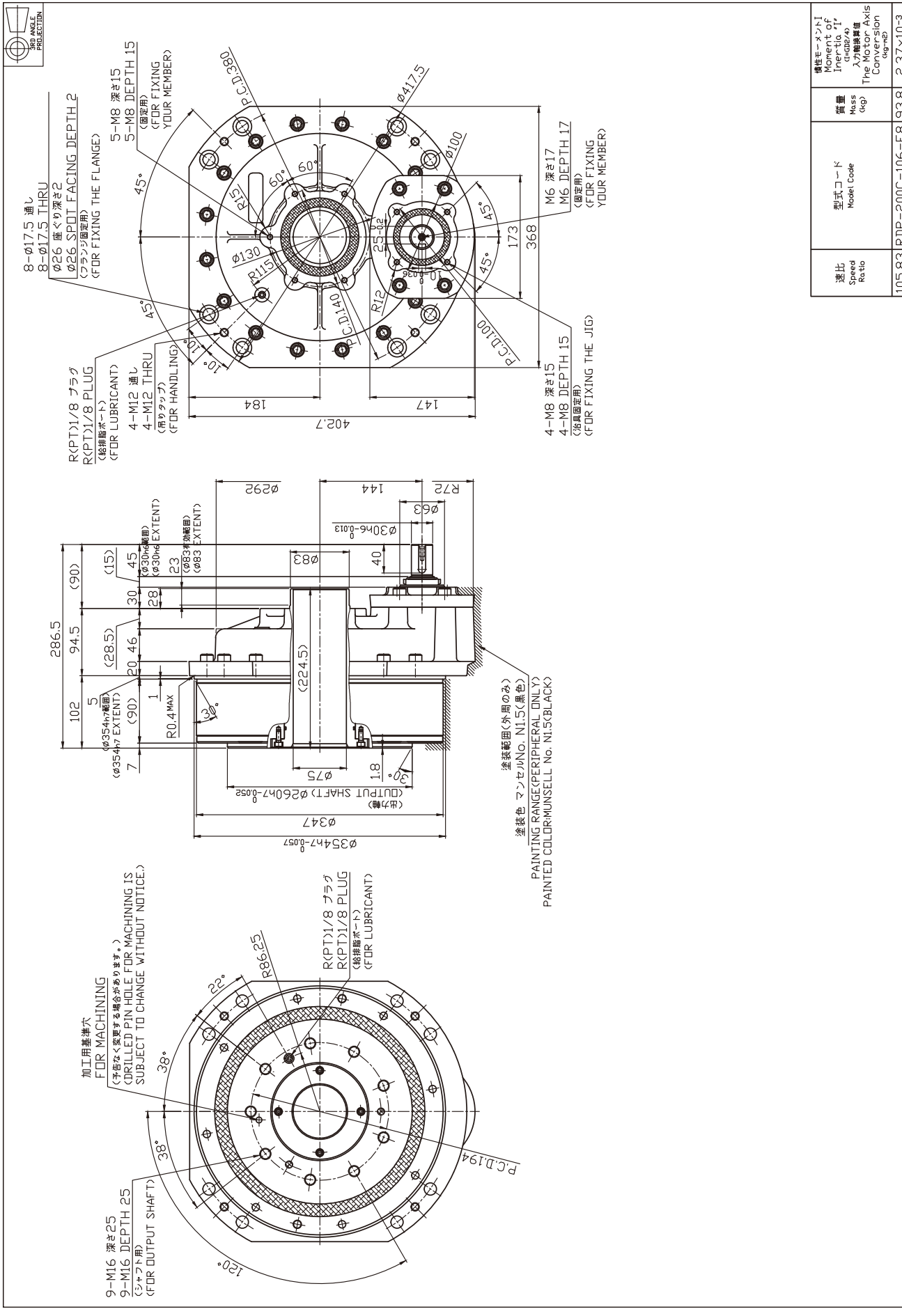
Pulley input type

Right angle input type

Straight input type

Model Code: RDP-200C-106-F8

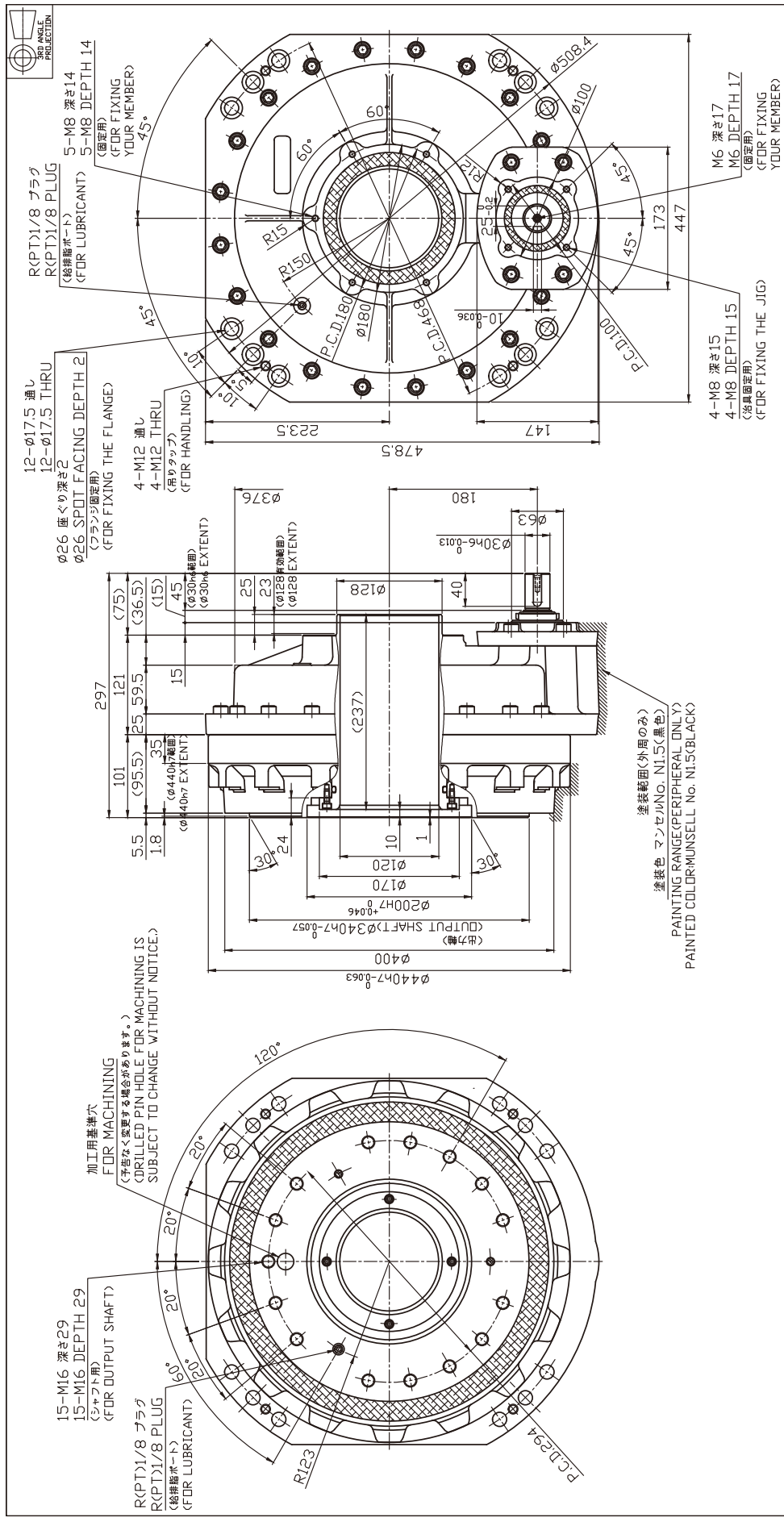
Specifications and dimensions are subject to change without notice.



速度 Speed Ratio	型式コード Model Code	質量 Mass (kg)	慣性モーメント Moment of Inertia, I_p (kg-cm ²)
105.83	RDP-200C-106-F8	93.8	2.37×10 ⁻³

Model Code: RDP-320C-157-F9

Specifications and dimensions are subject to change without notice.



速比 Speed Ratio	157	型式コード Model Code	RDP-320C-157-F9	質量 Mass (kg)	39.7	慣性モーメント Moment of Inertia (g-cm ²)	3.87×10 ⁻³
						入力軸換算 The Motor-Axis Conversion (kg-m ²)	

Technical Information

Option: Base flange

Motor flange / bushing

Pulley input type

Right angle input type

Straight input type



Motor Flange / Bushing

Selection table of motor flange / bushing code-1

Select the motor flange code and bushing code based on the dimension of the motor to be used. Applicable model code: RD□-006E, 020E, 010C, 027C
Supported motor shaft diameter: Ø8 to Ø14

Model Code	Input unit code
Reduction gear (straight input type)	
RDS-006E	
RDS-020E	G0
RDS-010C	
RDS-027C	
Reduction gear (right angle input type)	
RDR-006E	
RDR-020E	H0
RDR-010C	
RDR-027C	

Motor flange code	Motor shaft length (mm) a		Motor mounting pilot diameter (mm) Øb	Motor mounting pilot tolerance	Motor mounting pilot length (mm) c (*1)	Bolt P.C.D. d	Bolt size e	Stepped part max length (mm) g
	Min.	Max.						
AA	23	30	30	h7	3	46	M4	3.5
AB	23	31	50	h7	5	60	M4	4
AC	23	31	50	h7	5	70	M4	4
AD	23	31	50	h7	5	70	M5	4
AE	24	32	70	h7	6	90	M5	5
AF	23	31	70	h7	6	90	M6	4
AG	30	38	80	h7	6	100	M6	11
AH	23	31	80	h7	6	100	M6	4
AJ	30	38	95	h7	6	115	M8	11
AK	35	43	115	h7	6	165	M8	16
AL	32	40	80	h7	6	100	M6	13
AM	25	32	30	h7	3	46	M4	5.5
AN	26	34	70	h7	6	90	M6	7
AP	25	33	50	h7	5	60	M4	6
AQ	23	30	60	h7	6	75	M5	3
AR	23	30	40	h7	-	63	M5	3.5

* The motor mounting pilot length indicates the maximum value of the capable range.

Supported motor shaft diameter: Ø14 to Ø24

Model Code	Input unit code
Reduction gear (straight input type)	
RDS-006E	
RDS-020E	G1
RDS-010C	
RDS-027C	
Reduction gear (right angle input type)	
RDR-006E	
RDR-020E	H1
RDR-010C	
RDR-027C	

Motor flange code	Motor shaft length (mm) a		Motor mounting pilot diameter (mm) Øb	Motor mounting pilot tolerance	Motor mounting pilot length (mm) c (*1)	Bolt P.C.D. d	Bolt size e	Stepped part max length (mm) g
	Min.	Max.						
CA	28	55	50	h7	6	70	M5	6.5
CB	28	55	70	h7	5.5	90	M5	6.5
CC	28	55	70	h7	5.5	90	M6	6.5
CD	30	57	80	h7	6	100	M6	8.5
CE	30	57	95	h7	6	115	M6	8.5
CF	30	57	95	h7	6	115	M8	8.5
CG	32	59	110	h7	7	135	M8	10.5
CH	32	59	110	h7	7	145	M8	10.5
CJ	47	74	110	h7	7	145	M8	25.5
CK	32	59	114.3	h7	5	200	M12	10.5
CL	32	59	115	h7	6	165	M8	10.5
CM	32	59	130	h7	6	165	M10	10.5
CN	32	59	200	h7	5	235	M12	10.5
CP	37	64	80	h7	6	100	M6	15.5
CQ	35	62	95	h7	6	115	M8	13.5
CR	40	67	110	h7	7	145	M8	18.5
CT	32	59	110	h7	7	130	M8	10.5
CU	28	55	60	h7	-	75	M5	6.5

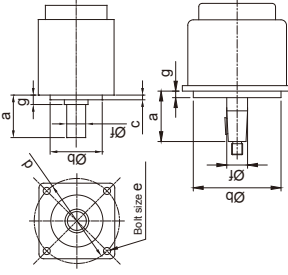
*1 The motor mounting pilot length indicates the maximum value of the capable range.

*2 Select a motor flange based on a motor shaft length of 37 mm.

*3 Select a motor flange based on a motor shaft length of 44 mm.

*4 Select a motor flange based on a motor shaft length of 58 mm.

Bushing code	Bushing	
	Motor shaft diameter (mm) Øf	Motor shaft tolerance
0A	8	h6
0B	9	h6
0C	10	h6
0D	11	h6
0E	9	k6
0F	11	k6
ZZ	14	h6



Bushing code	Bushing	
	Motor shaft diameter (mm) Øf	Motor shaft tolerance
1B	15	h6
1C	16	h6
1D	17	h6
1E	19	h6
1F	22	h6
1G	14	k6
1H	19	k6
1J	16	k6
ZZ	24	h6
6A*2	11	+0.1/0
6B*3	14	Taper1/10
6C*4	16	

Selection table of motor flange / bushing code-2

Select the motor flange code and bushing code based on the dimension of the motor to be used. Applicable model code: RD□-040E,080E,050C,100C
Supported motor shaft diameter: Ø14 to Ø24

Model Code	Input unit code
Reduction gear (straight input type)	
RDS-040E	G2
RDS-080E	
RDS-050C	
RDS-100C	
Reduction gear (right angle input type)	
RDR-040E	H2
RDR-080E	
RDR-050C	
RDR-100C	

Motor flange code	Motor shaft length (mm) a		Motor mounting pilot diameter (mm) Øb		Motor mounting pilot tolerance	Motor mounting pilot length (mm) c (*1)	Bolt P.C.D. d	Bolt size e	Stepped part max length (mm) g
	Min.	Max.	Min.	Max.					
CA	34	55	50	70	h7	6	70	M5	5
CB	34	55	70	90	h7	5.5	90	M5	5
CC	34	55	70	90	h7	5.5	90	M6	5
CD	36	57	80	100	h7	6	100	M6	7
CE	36	57	95	115	h7	6	115	M6	7
CF	36	57	95	115	h7	6	115	M8	7
CG	38	59	110	135	h7	7	135	M8	9
CH	38	59	110	145	h7	7	145	M8	9
CJ	53	74	110	145	h7	7	145	M8	24
CK	38	59	114.3	200	h7	5	200	M12	9
CL	38	59	115	165	h7	6	165	M8	9
CM	38	59	130	165	h7	6	165	M10	9
CN	38	59	200	235	h7	5	235	M12	9
CP	43	64	80	100	h7	6	100	M6	14
CQ	41	62	95	115	h7	6	115	M8	12
CR	46	67	110	145	h7	7	145	M8	17
CT	38	59	110	130	h7	7	130	M8	9

*1 The motor mounting pilot length indicates the maximum value of the capable range.
 *2 Select a motor flange based on a motor shaft length of 37 mm.
 *3 Select a motor flange based on a motor shaft length of 44 mm.
 *4 Select a motor flange based on a motor shaft length of 58 mm.

Supported motor shaft diameter: Ø25 to Ø35

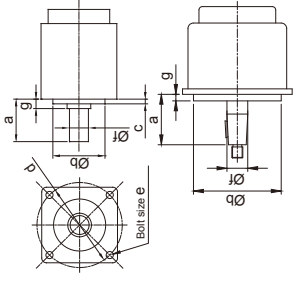
Model Code	Input unit code
Reduction gear (straight input type)	
RDS-040E	G3
RDS-080E	
RDS-050C	
RDS-100C	
Reduction gear (right angle input type)	
RDR-040E	H3
RDR-080E	
RDR-050C	
RDR-100C	

Motor flange code	Motor shaft length (mm) a		Motor mounting pilot diameter (mm) Øb		Motor mounting pilot tolerance	Motor mounting pilot length (mm) c (*1)	Bolt P.C.D. d	Bolt size e	Stepped part max length (mm) g
	Min.	Max.	Min.	Max.					
GA	36	81	95	115	h7	8	115	M8	7
GB	38	83	110	135	h7	7	135	M8	9
GC	38	83	110	145	h7	7	145	M8	9
GD	38	83	114.3	200	h7	5	200	M12	9
GE	38	83	130	165	h7	6	165	M10	9
GF	38	83	200	235	h7	6	235	M12	9
GG	48	93	110	145	h7	7	145	M8	19
GH	48	93	114.3	200	h7	5	200	M12	19
GJ	43	88	110	145	h7	7	145	M8	14
GK	38	83	110	130	h7	7	130	M8	9

*1 The motor mounting pilot length indicates the maximum value of the capable range.

Bushing code	Bushing	
	Motor shaft diameter (mm) Øf	Motor shaft tolerance
1A	14	h6
1B	15	h6
1C	16	h6
1D	17	h6
1E	19	h6
1F	22	h6
1G	14	k6
1H	19	k6
1J	16	k6
ZZ	24	h6
6A *2	11	+0.1/0
6B *3	14	Taper 1/10
6C *4	16	

Bushing code	Bushing	
	Motor shaft diameter (mm) Øf	Motor shaft tolerance
3A	25	h6
3B	28	h6
3C	28	k6
3D	32	k6
3E	32	h6
ZZ	35	(+0.01/0/0)



Selection table of motor flange / bushing code-3

Select the motor flange code and bushing code based on the dimension of the motor to be used. Applicable model code: RD□-160E,320E,200C,320C

Supported motor shaft diameter: Ø19 to Ø28

Model Code	Input unit code
Reduction gear (straight input type)	
RDS-160E	
RDS-320E	G4
RDS-200C	
RDS-320C	
Reduction gear (right angle input type)	
RDR-160E	
RDR-320E	H4
RDR-200C	
RDR-320C	

Motor flange code	Motor shaft length (mm) a		Motor flange				Motor mounting pilot length (mm) c (*1)	Bolt P.C.D. d	Bolt size e	Stepped part max length (mm) g
	Min.	Max.	Motor mounting pilot diameter (mm) Øb	Motor mounting pilot tolerance	Motor mounting pilot length (mm) c (*1)	Bolt P.C.D. d				
GA	36	71	95	h7	8	115	M8	7		
GB	38	73	110	h7	7	135	M8	9		
GC	38	73	110	h7	7	145	M8	9		
GD	38	73	114.3	h7	5	200	M12	9		
GE	38	73	130	h7	6	165	M10	9		
GF	38	73	200	h7	6	235	M12	9		
GG	48	83	110	h7	7	145	M8	19		
GH	48	83	114.3	h7	5	200	M12	19		
GJ	43	78	110	h7	7	145	M8	14		

*1 The motor mounting pilot length indicates the maximum value of the capable range.

*2 Select a motor flange based on a motor shaft length of 58 mm.

Supported motor shaft diameter: Ø32 to Ø42

Model Code	Input unit code
Reduction gear (straight input type)	
RDS-160E	
RDS-320E	G5
RDS-200C	
RDS-320C	
Reduction gear (right angle input type)	
RDR-160E	
RDR-320E	H5
RDR-200C	
RDR-320C	

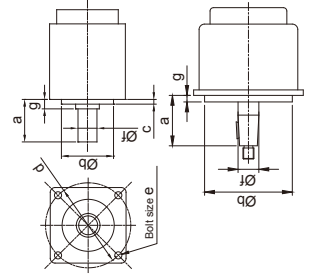
Motor flange code	Motor shaft length (mm) a		Motor flange				Motor mounting pilot length (mm) c (*1)	Bolt P.C.D. d	Bolt size e	Stepped part max length (mm) g
	Min.	Max.	Motor mounting pilot diameter (mm) Øb	Motor mounting pilot tolerance	Motor mounting pilot length (mm) c (*1)	Bolt P.C.D. d				
JA	56	86	110	h7	7	145	M8	7		
JB	54	84	114.3	h7	5	200	M12	5		
JC	85	115	114.3	h7	5	200	M12	36		
JD	57	87	180	h7	5	215	M12	8		
JE	54	84	200	h7	5	235	M12	5		
JF	87	117	200	h7	5	235	M12	38		
JG	59	89	114.3	h7	5	200	M12	10		
JH	54	84	130	h7	10	165	M10	5		

*1 The motor mounting pilot length indicates the maximum value of the capable range.

*2 Select a motor flange based on a motor shaft length of 102 mm.

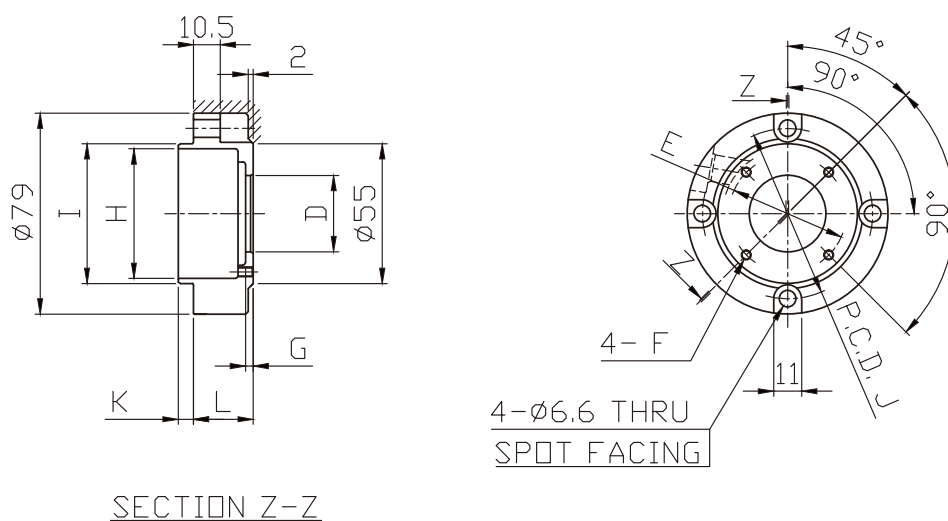
Bushing code	Bushing	
	Motor shaft diameter (mm) Øf	Motor shaft tolerance
2A	19	h6
2B	22	h6
2C	24	h6
2D	19	k6
2E	24	k6
ZZ	28	h6
7A *2	16	+0.1/0 Taper1/10

Bushing code	Bushing	
	Motor shaft diameter (mm) Øf	Motor shaft tolerance
4A	32	h6
4B	35	(+0.010/0)
4C	38	k6
4D	32	k6
4E	38	k6
4F	35	h6
ZZ	42	h6
9A *2	32	+0.1/0 Taper1/10



Specifications and dimensions are subject to change without notice.

Motor Flange Dimension Drawing



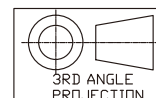
コード Code	モーター取付部寸法 Dimensions (mm)									質量 Mass (kg)
	D	E	F	G	H	I	J	K	L	
AA	$\phi 30^{+0.030}_{-0.009}$	$\phi 46$	M4 THRU	3	$\phi 51$	$\phi 55_{h7-0.030}$	67	6	23.5	0.45
AM									25.5	0.48

注記

1. 塗装 塗装色 エポキシ マンセルNo. N1.5 (黒色) 塗装範囲部分を // // // // に示す。

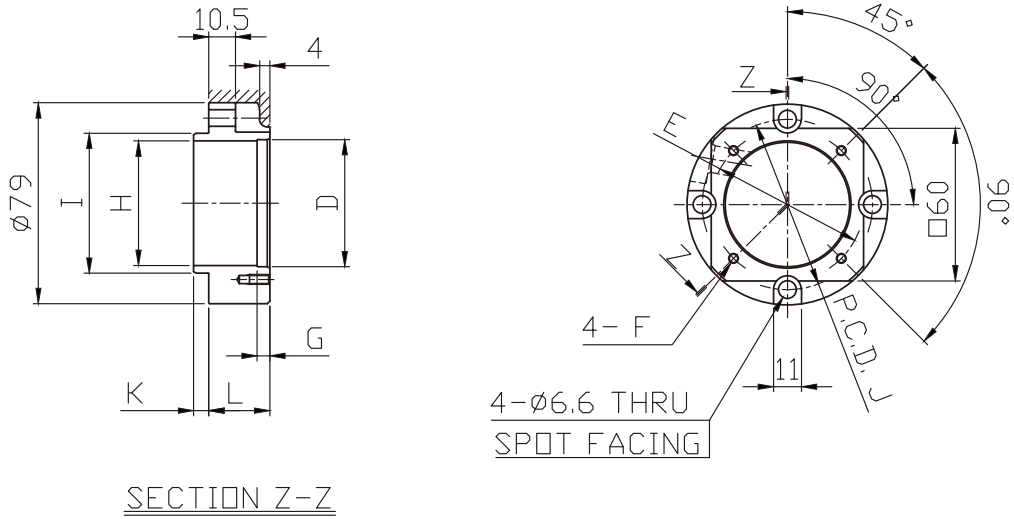
NOTE

1. // // // // area is painted black.



Specifications and dimensions are subject to change without notice.

Motor Flange Dimension Drawing



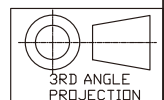
コード Code	モータ取付部寸法 Dimensions (mm)									質量 Mass (kg)		
	D	E	F	G	H	I	J	K	L			
AB	$\phi 50^{+0.036}_{+0.011}$	$\phi 60$	M4 DEPTH 8	5	$\phi 49$	$\phi 55_{h7-0.030}$	67	6	24	0.44		
AC		$\phi 70$									M5 DEPTH 9	
AD			$\phi 60$									M4 DEPTH 8
AP												
AR		$\phi 40^{+0.036}_{+0.011}$	$\phi 51$								4	23.5

注記

1. 塗装 塗装色 エポキシ マンセルNo. N1.5(黒色) 塗装範囲部分を // // // // に示す。

NOTE

1. // // // // area is painted black.



Straight input type

Right angle input type

Pulley input type

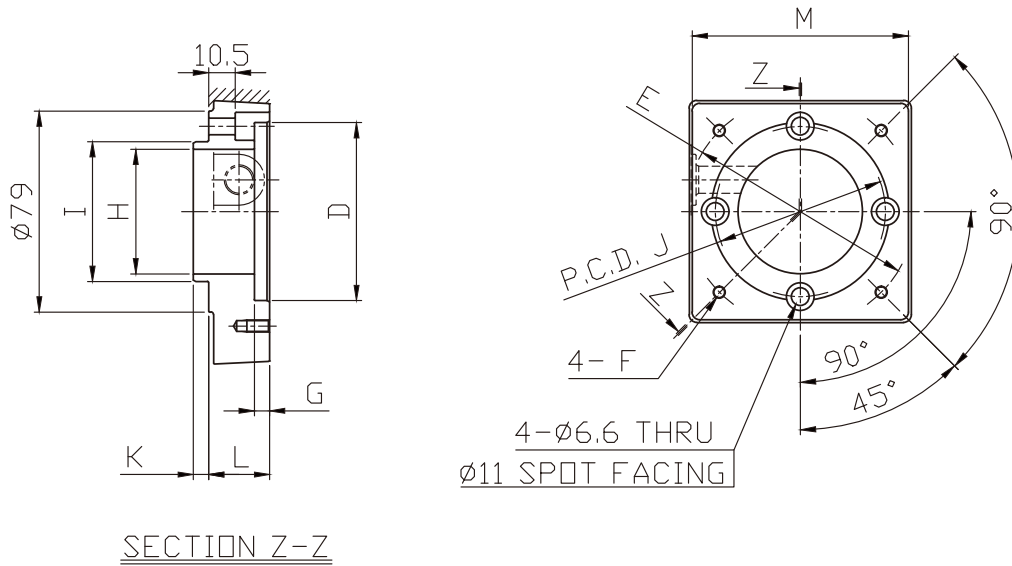
Motor flange / bushing

Option: Base flange

Technical Information

Specifications and dimensions are subject to change without notice.

Motor Flange Dimension Drawing



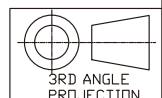
コード Code	モータ取付部寸法 Dimensions (mm)										質量 Mass (kg)
	D	E	F	G	H	I	J	K	L	M	
AQ	$\phi 60^{+0.037}_{+0.012}$	$\phi 75$	M5 DEPTH 9						23		
AE	$\phi 70^{+0.037}_{+0.012}$	$\phi 90$							25		
AF			$\phi 70^{+0.037}_{+0.012}$	$\phi 90$	24	□85	0.92				
AN	27										
AG	$\phi 80^{+0.037}_{+0.012}$	$\phi 100$	M6 DEPTH 11	6	$\phi 49$	$\phi 55_{h7-0.030}$	67	6	31		1.1
AL									33		1.1
AH									24		0.75
AJ	$\phi 95^{+0.038}_{+0.013}$	$\phi 115$	M8 DEPTH 15						31	□105	1.8
AK	$\phi 115^{+0.038}_{+0.013}$	$\phi 165$							36	□150	4.9

注記

1. 塗装 塗装色 エポキシ マンセルNo.N1.5(黒色) 塗装範囲部分を // // // // に示す。

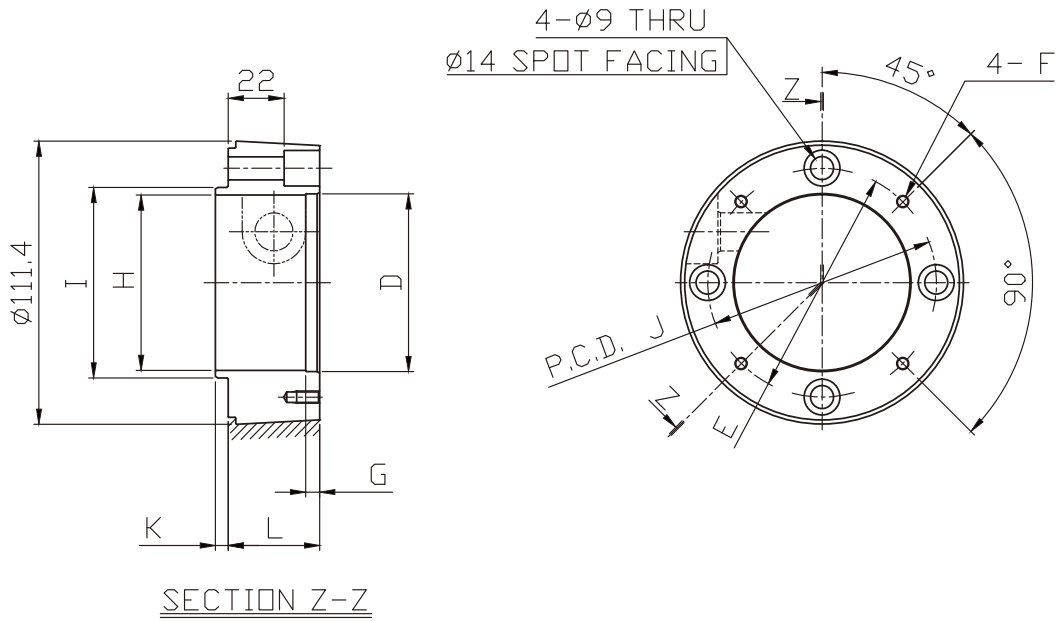
NOTE

1. // // // // area is painted black.



Specifications and dimensions are subject to change without notice.

Motor Flange Dimension Drawing



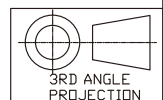
コード Code	モータ取付部寸法 Dimensions (mm)									質量 Mass (kg)
	D	E	F	G	H	I	J	K	L	
CA	$\phi 50^{+0.036}_{+0.011}$	$\phi 70$	M5 DEPTH 9	3.5	$\phi 69$	$\phi 75_{h7-0.030}$	90	5	36	1.3
CU	$\phi 60^{+0.037}_{+0.012}$	$\phi 75$			$\phi 67$					
CB	$\phi 70^{+0.037}_{+0.012}$	$\phi 90$	M6 DEPTH 11	5.5	$\phi 69$					
CC										

注記

1. 塗装 塗装色 エポキシ マンセルNo. N1.5 (黒色) 塗装範囲部分を // // // // に示す。

NOTE

1. // // // // area is painted black.



Straight input type

Right angle input type

Pulley input type

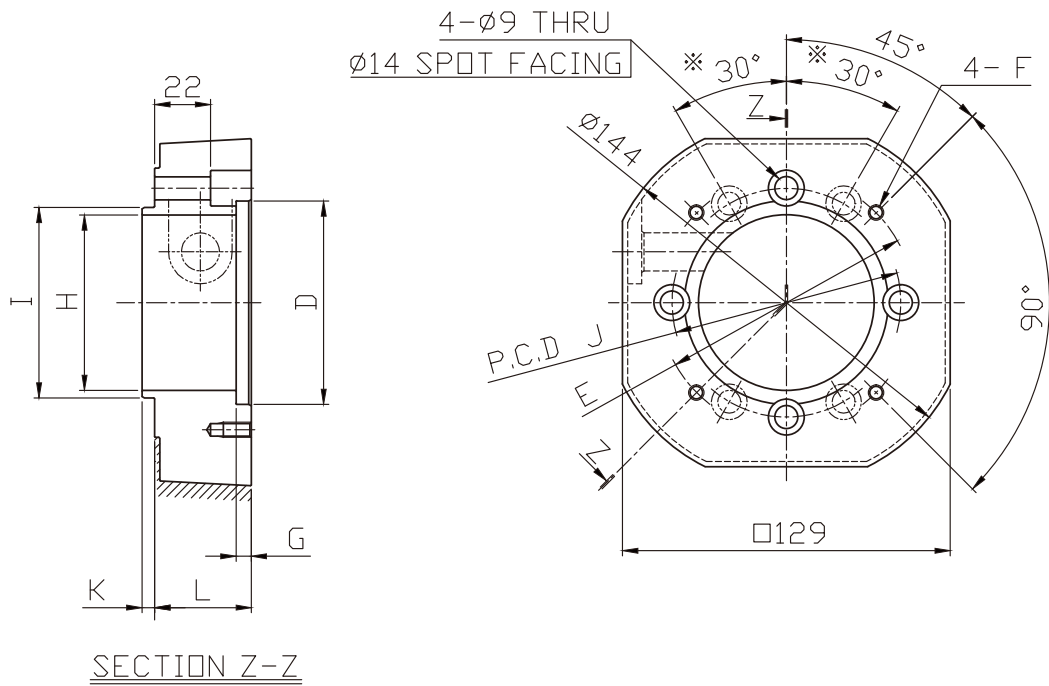
Motor flange / bushing

Option: Base flange

Technical Information

Specifications and dimensions are subject to change without notice.

Motor Flange Dimension Drawing



※ 印の角度寸法は、コード“GA”に適用とする。

※ Applied to Code “GA”

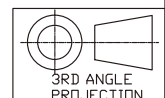
コード Code	モータ取付部寸法 Dimensions (mm)									質量 Mass (kg)
	D	E	F	G	H	I	J	K	L	
CD	$\phi 80^{+0.037}_{+0.012}$	$\phi 100$	M6 DEPTH 11	6	$\phi 69$	$\phi 75_{h7-0.030}$	90	5	38	2.5
CE	$\phi 95^{+0.038}_{+0.013}$	$\phi 115$								M8 DEPTH 15
CF			2.8							
CQ			1.8							
GA										

注記

1. 塗装 塗装色 エポキシ マンセルNo. N1.5(黒色) 塗装範囲部分を // // // // に示す。

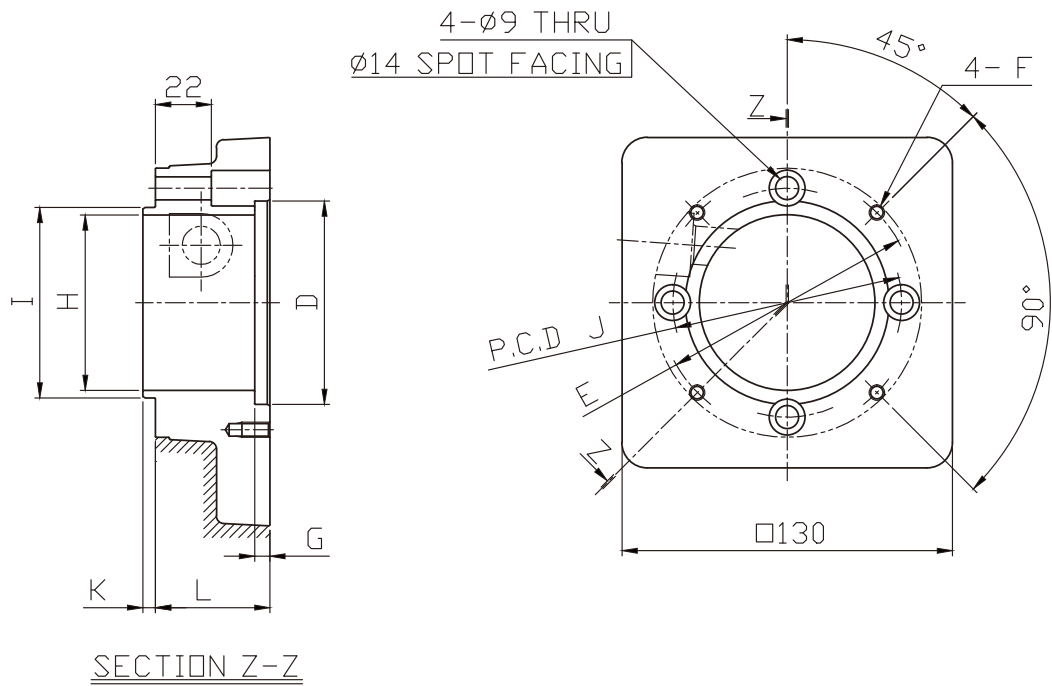
NOTE

1. // // // // area is painted black.



Specifications and dimensions are subject to change without notice.

Motor Flange Dimension Drawing



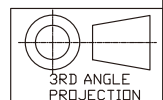
コード Code	モータ取付部寸法 Dimensions (mm)									質量 Mass (kg)
	D	E	F	G	H	I	J	K	L	
CP	$\phi 80^{+0.037}_{+0.012}$	$\phi 100$	M6 DEPTH 11	6	$\phi 69$	$\phi 75_{h7-0.030}$	90	5	45	2.6

注記

1. 塗装 塗装色 エポキシ マンセルNo.N1.5(黒色) 塗装範囲部分を//////に示す。

NOTE

1. //// area is painted black.



Straight input type

Right angle input type

Pulley input type

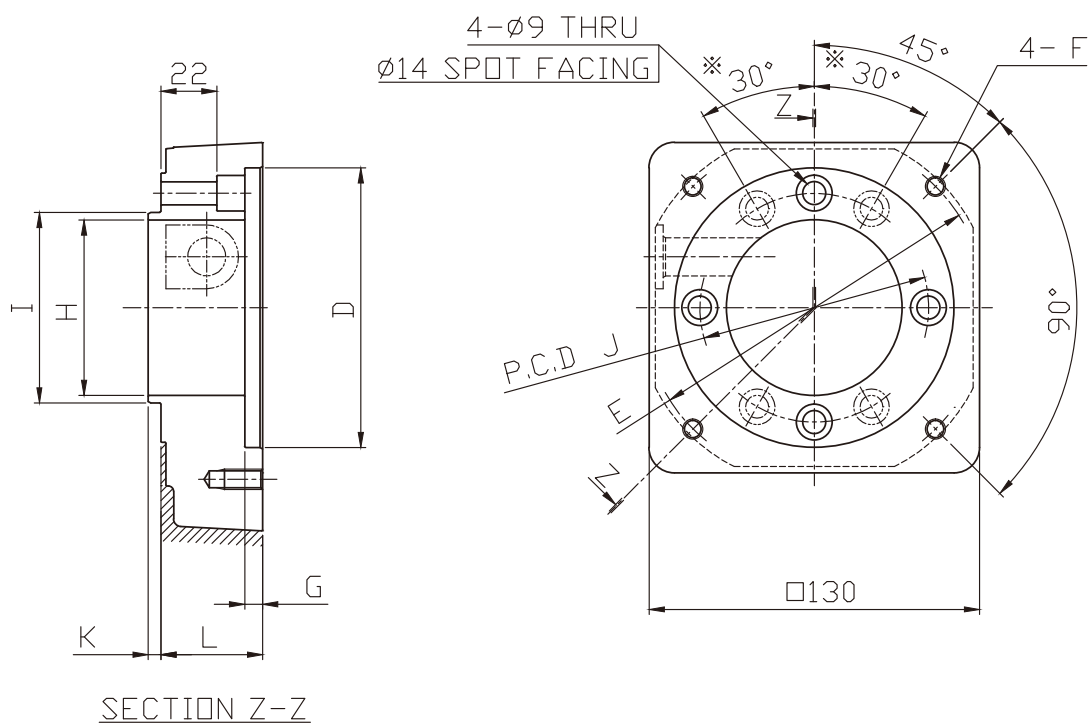
Motor flange / bushing

Option: Base flange

Technical Information

Specifications and dimensions are subject to change without notice.

Motor Flange Dimension Drawing



※ 印の角度寸法は、コード"GB"、"GC"、"GG"、"GJ"に適用とする。

※ Applied to Code "GB", "GC", "GG" or "GJ"

コード Code	モーター取付部寸法 Dimensions (mm)									質量 Mass (kg)
	D	E	F	G	H	I	J	K	L	
CG	φ110 ^{+0.038} / _{+0.013}	φ135	M8 DEPTH 15	7	φ69	φ75 _{h7-0.030}	90	5	40	3.2
CT		φ130								
CH		φ145		11	φ96	φ106 _{h7-0.035}	122	50	3.2	
CR		φ135								
GB		φ135		7	φ96	φ106 _{h7-0.035}	122	45	2.8	
GC		φ145								
GG		φ145		7	φ96	φ106 _{h7-0.035}	122	45	2.8	
GJ		φ145								

注記

1. 塗装 塗装色 エポキシ マンセルNo. N1.5(黒色) 塗装範囲部分を // // // // に示す。

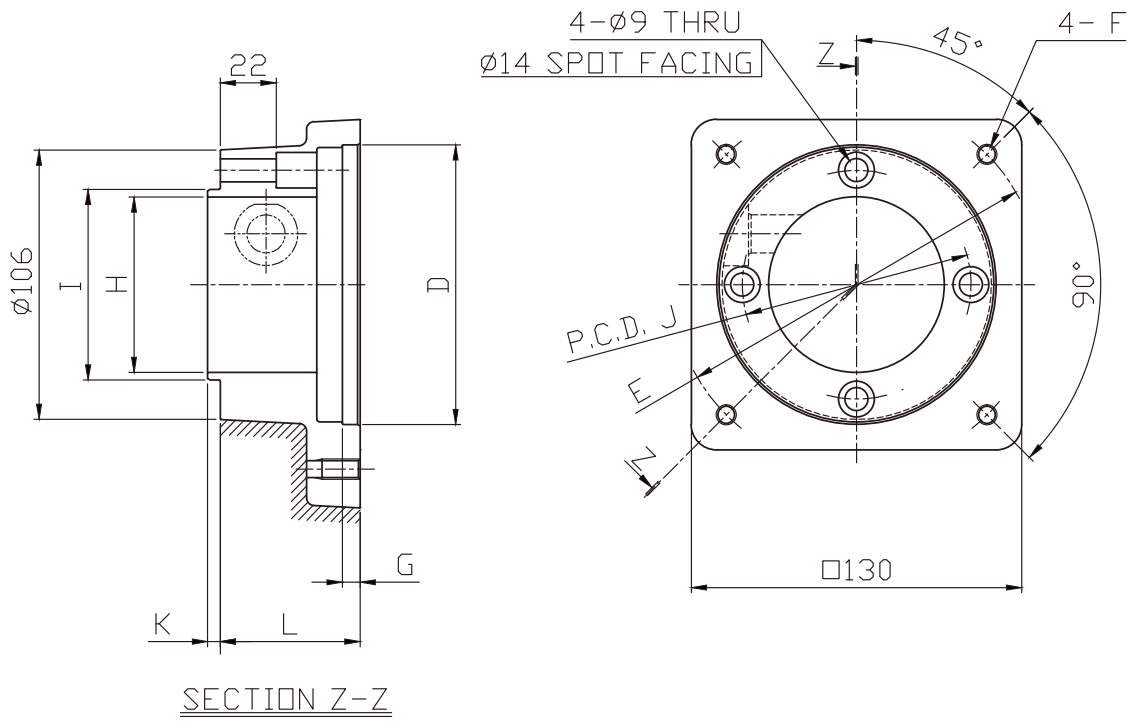
NOTE

1. // // // // area is painted black.



Specifications and dimensions are subject to change without notice.

Motor Flange Dimension Drawing



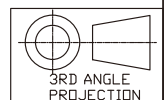
コード Code	モータ取付部寸法 Dimensions (mm)									質量 Mass (kg)
	D	E	F	G	H	I	J	K	L	
CJ	$\phi 110^{+0.038}_{+0.013}$	$\phi 145$	M8 DEPTH 15	7	$\phi 69$	$\phi 75_{h7-0.030}$	90	5	55	2.5
GK		$\phi 130$			$\phi 96$	$\phi 106_{h7-0.035}$	122		40	

注記

1. 塗装 塗装色 エポキシ マンセルNo. N1.5 (黒色) 塗装範囲部分を // // // // に示す。

NOTE

1. // // // // area is painted black.



Straight input type

Right angle input type

Pulley input type

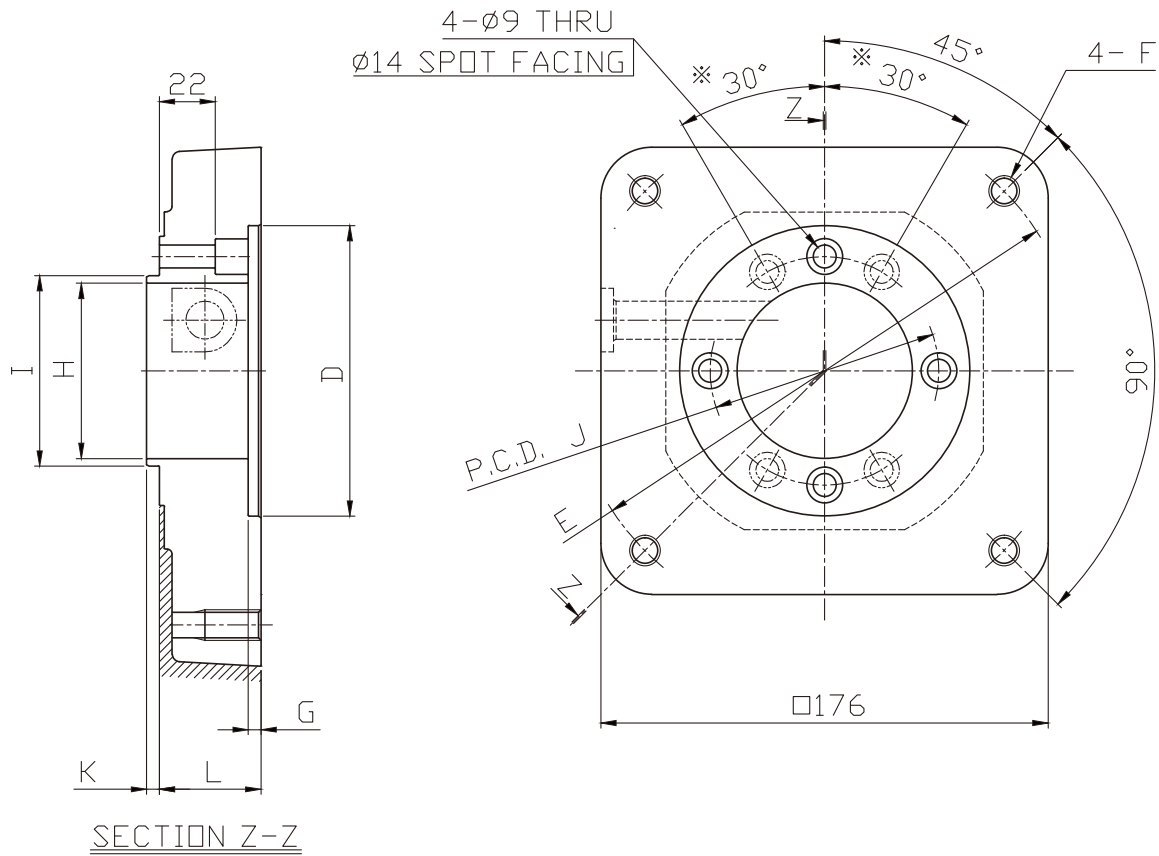
Motor flange / bushing

Option: Base flange

Technical Information

Specifications and dimensions are subject to change without notice.

Motor Flange Dimension Drawing



※ 印の角度寸法は、コード"GD"、"GE"、"GH"に適用とする。

※ Applied to Code "GD", "GE" or "GH"

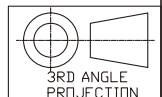
コード Code	モータ取付部寸法 Dimensions (mm)									質量 Mass (kg)
	D	E	F	G	H	I	J	K	L	
CK	$\phi 114.3^{+0.038}_{+0.013}$	$\phi 200$	M12 DEPTH 22	5						6.7
CL	$\phi 115^{+0.038}_{+0.013}$	$\phi 165$	M8 DEPTH 15	6	$\phi 69$	$\phi 75_{h7-0.030}$	90		40	6.8
CM	$\phi 130^{+0.039}_{+0.014}$		M10 DEPTH 18							6.6
GD	$\phi 114.3^{+0.038}_{+0.013}$	$\phi 200$	M12 DEPTH 22	5						6.1
GE	$\phi 130^{+0.039}_{+0.014}$	$\phi 165$	M10 DEPTH 18	6	$\phi 96$	$\phi 106_{h7-0.035}$	122			6.0
GH	$\phi 114.3^{+0.038}_{+0.013}$	$\phi 200$	M12 DEPTH 22	5					50	7.1

注記

1. 塗装 塗装色 エポキシ マンセルNo. N1.5(黒色) 塗装範囲部分を//////に示す。

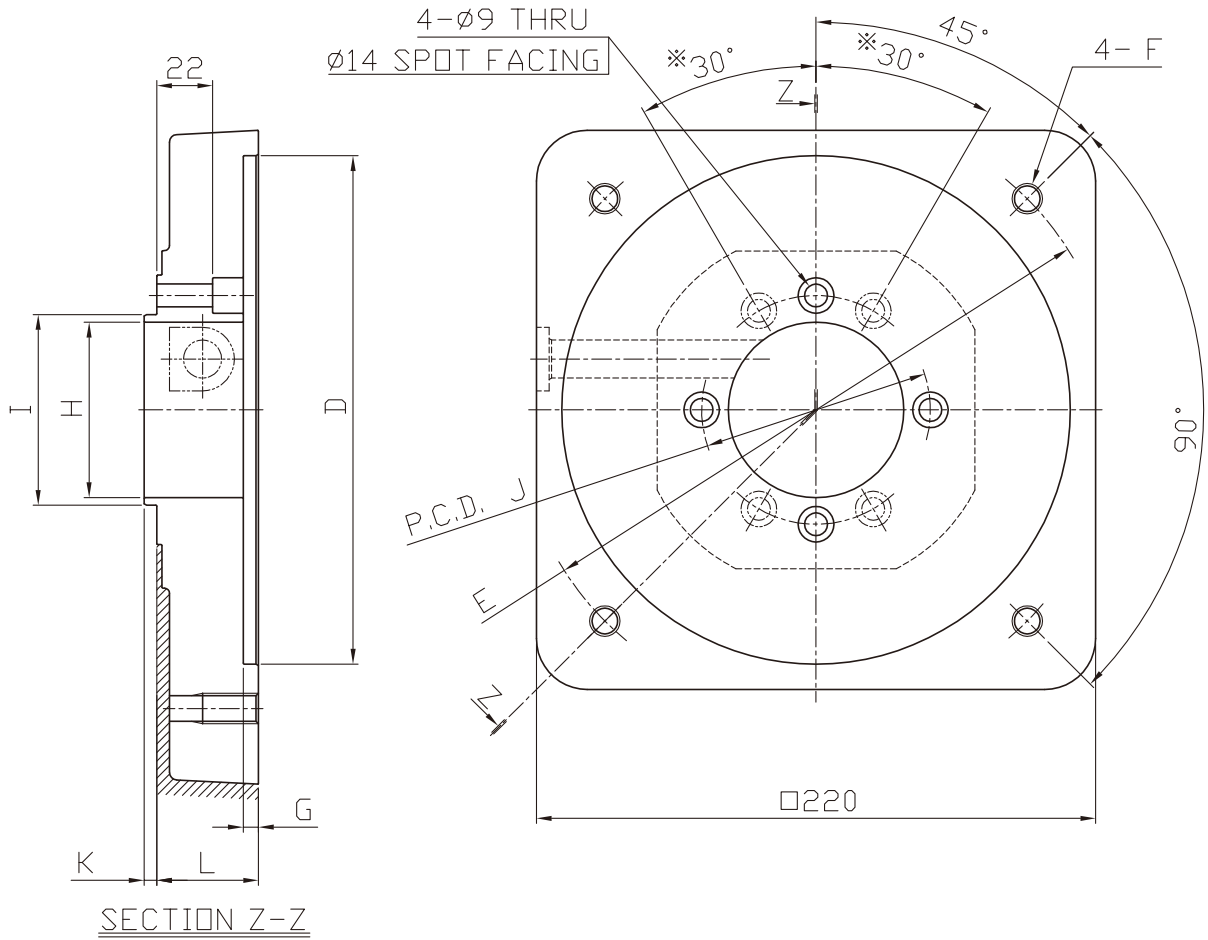
NOTE

1. //// area is painted black.



Specifications and dimensions are subject to change without notice.

Motor Flange Dimension Drawing



※ 印の角度寸法は、コード“GF”に適用とする。
 ※ Applied to Code “GF”

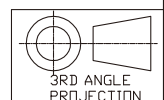
コード Code	モータ取付部寸法 Dimensions (mm)									質量 Mass (kg)
	D	E	F	G	H	I	J	K	L	
CN	$\phi 200^{+0.040}_{+0.015}$	$\phi 235$	M12 DEPTH 22	6	$\phi 69$	$\phi 75_{h7-0.030}$	90	5	40	10.3
GF					$\phi 96$	$\phi 106_{h7-0.035}$	122			9.8

注記

1. 塗装 塗装色 エポキシ マンセルNo.N1.5(黒色) 塗装範囲部分を // // // // に示す。

NOTE

1. // // // // area is painted black.



Straight input type

Right angle input type

Pulley input type

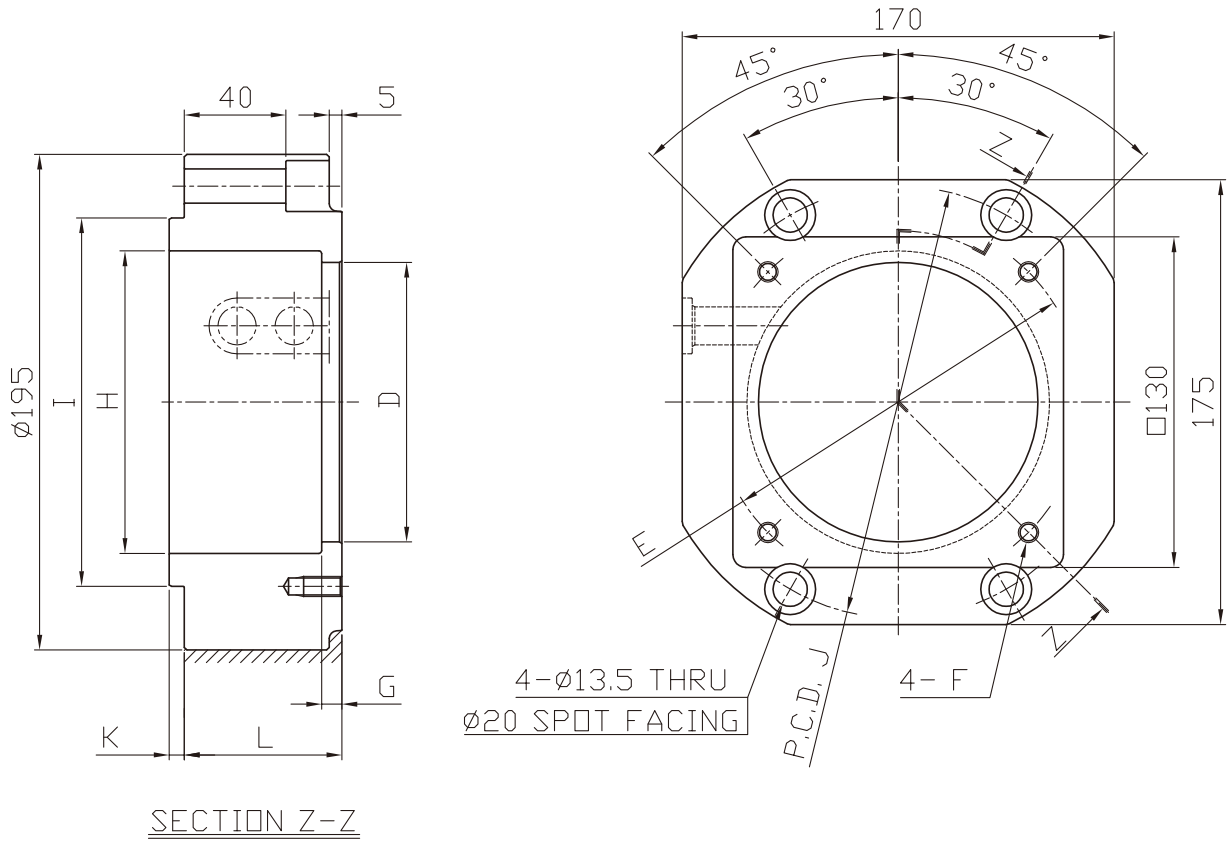
Motor flange / bushing

Option: Base flange

Technical Information

Specifications and dimensions are subject to change without notice.

Motor Flange Dimension Drawing



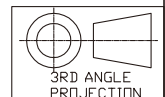
コード Code	モータ取付部寸法 Dimensions (mm)									質量 Mass (kg)
	D	E	F	G	H	I	J	K	L	
JA	$\phi 110^{+0.038}_{-0.013}$	$\phi 145$	M8 DEPTH 15	8	$\phi 119$	$\phi 145_{h7-0.040}$	170	6	62	6.9

注記

1. 塗装 塗装色 エポキシ マンセルNo.N1.5(黒色) 塗装範囲部分を // // // // に示す。

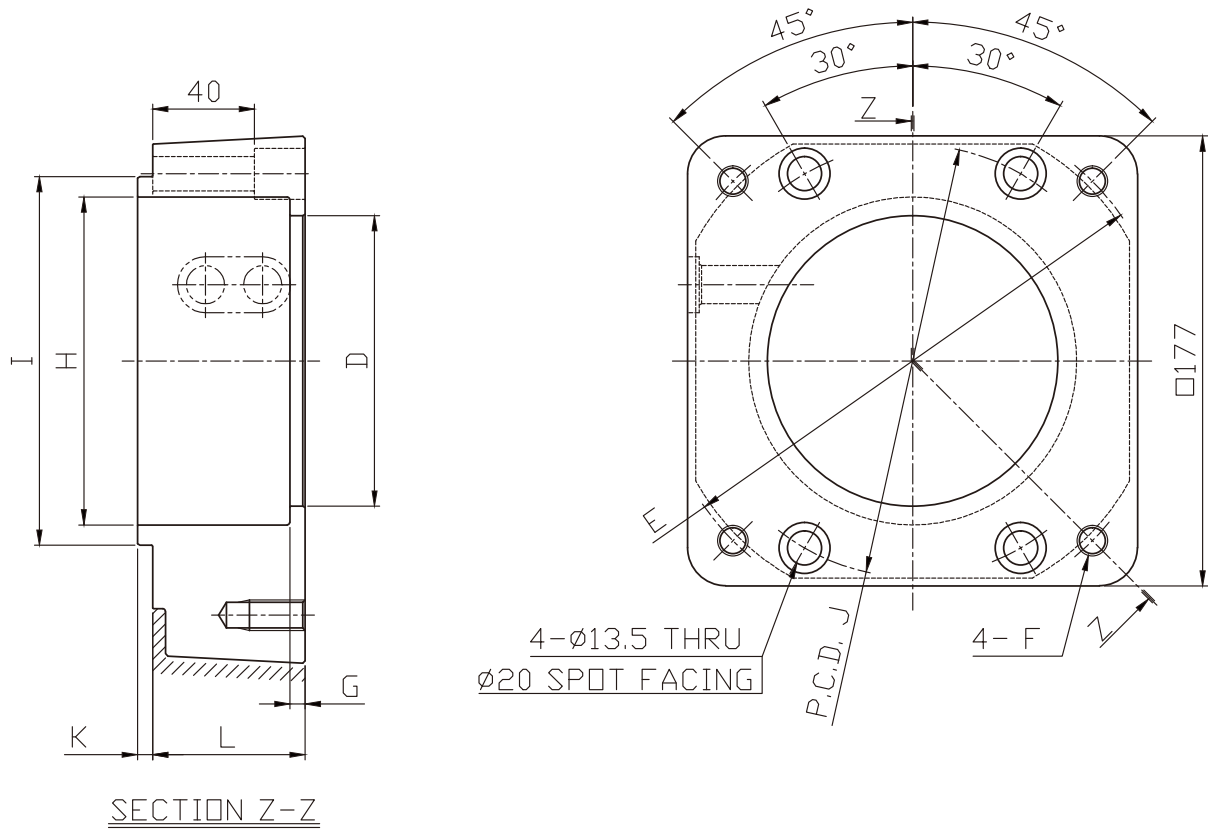
NOTE

1. // // // // area is painted black.



Specifications and dimensions are subject to change without notice.

Motor Flange Dimension Drawing



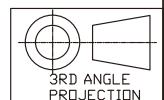
コード Code	モータ取付部寸法 Dimensions (mm)									質量 Mass (kg)
	D	E	F	G	H	I	J	K	L	
JB	$\phi 114.3^{+0.038}_{-0.013}$	$\phi 200$	M12 DEPTH 22	6	$\phi 129$	$\phi 145_{h7-0.040}$	170	6	60	8
JG									65	9.9
JH	$\phi 130^{+0.054}_{-0.014}$	$\phi 165$	M10 DEPTH 18	10	$\phi 130$				60	7.9

注記

1. 塗装 塗装色 エポキシ マンセルNo.N1.5(黒色) 塗装範囲部分を//////に示す。

NOTE

1. //// area is painted black.



Straight input type

Right angle input type

Pulley input type

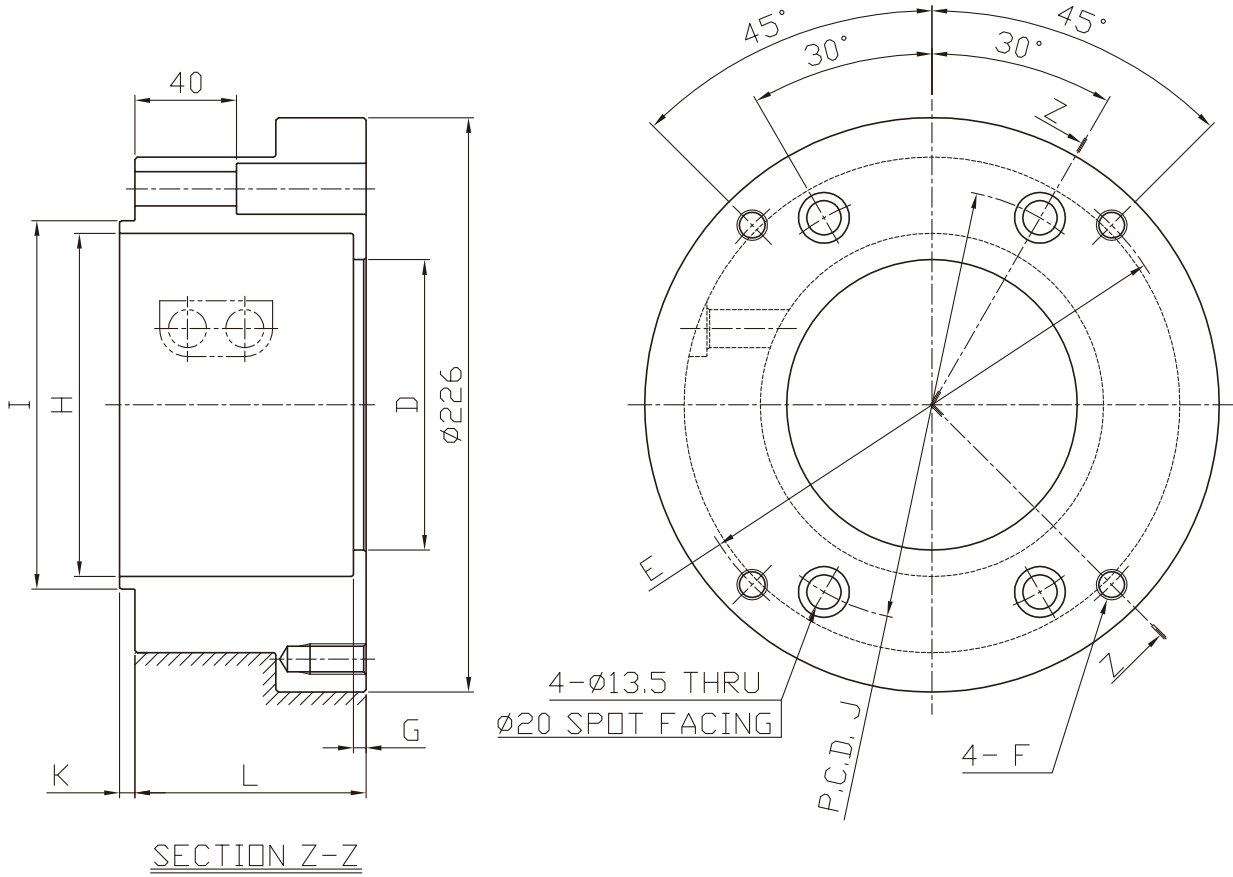
Motor flange / bushing

Option: Base flange

Technical Information

Specifications and dimensions are subject to change without notice.

Motor Flange Dimension Drawing



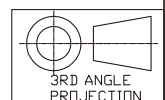
コード Code	モータ取付部寸法 Dimensions (mm)										質量 Mass (kg)
	D	E	F	G	H	I	J	K	L		
JC	ø114.3 ^{+0.038} / _{-0.013}	ø200	M12 DEPTH 22	5	ø135	ø145 _{h7-0.040}	170	6	91	12.2	

注記

1. 塗装 塗装色 エポキシ マンセルNo.N1.5(黒色) 塗装範囲部分を // // // // に示す。

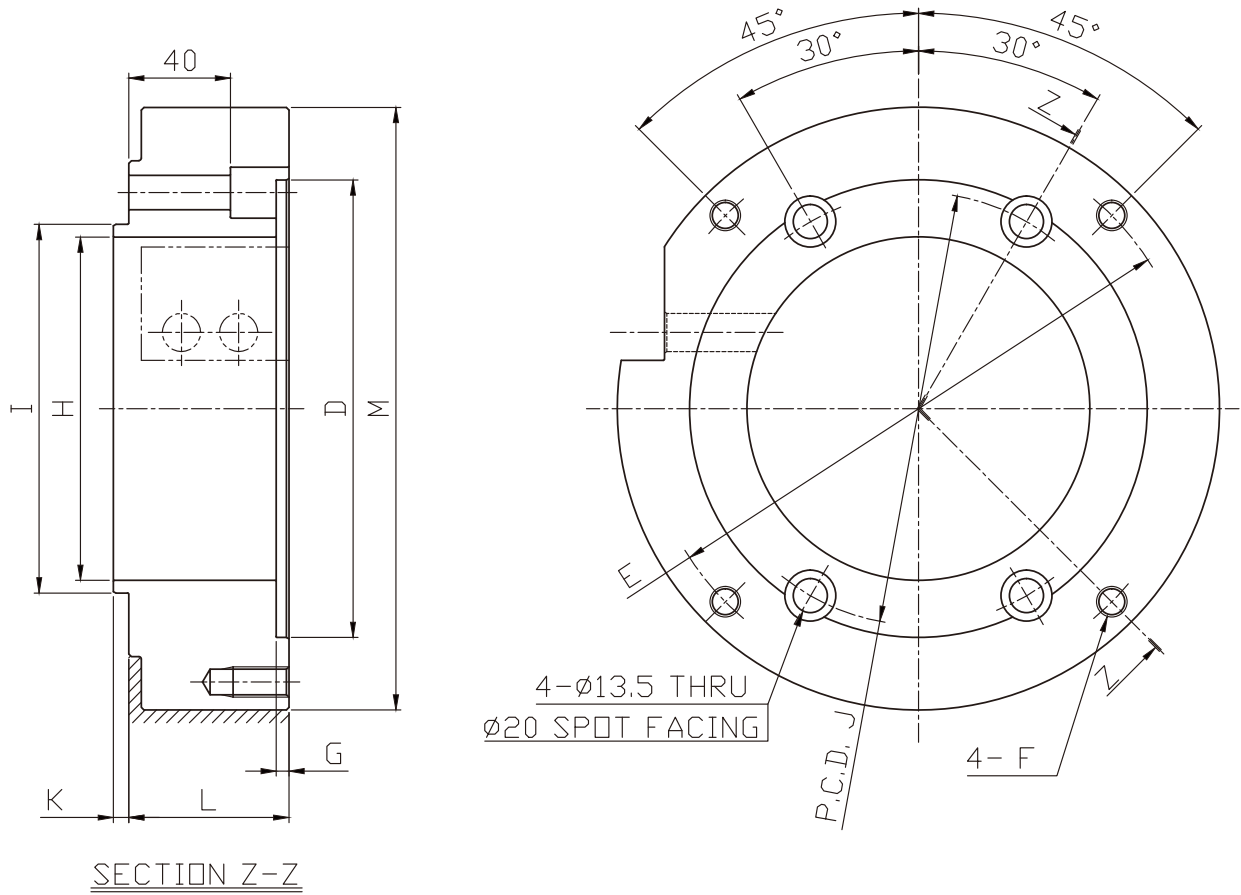
NOTE

1. // // // // area is painted black.



Specifications and dimensions are subject to change without notice.

Motor Flange Dimension Drawing



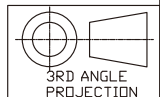
コード Code	モータ取付部寸法 Dimensions (mm)										質量 Mass (kg)
	D	E	F	G	H	I	J	K	L	M	
JD	$\phi 180^{+0.039}_{+0.014}$	$\phi 215$	M12 DEPTH 22	5	$\phi 135$	$\phi 145_{h7-0.040}$	170	6	63	$\phi 237$	12
JF	$\phi 200^{+0.040}_{+0.015}$	$\phi 235$							93	$\phi 255$	17

注記

1. 塗装 塗装色 エポキシ マンセルNo. N1.5 (黒色) 塗装範囲部分を // // // // に示す。

NOTE

1. // // // // area is painted black.



Straight input type

Right angle input type

Pulley input type

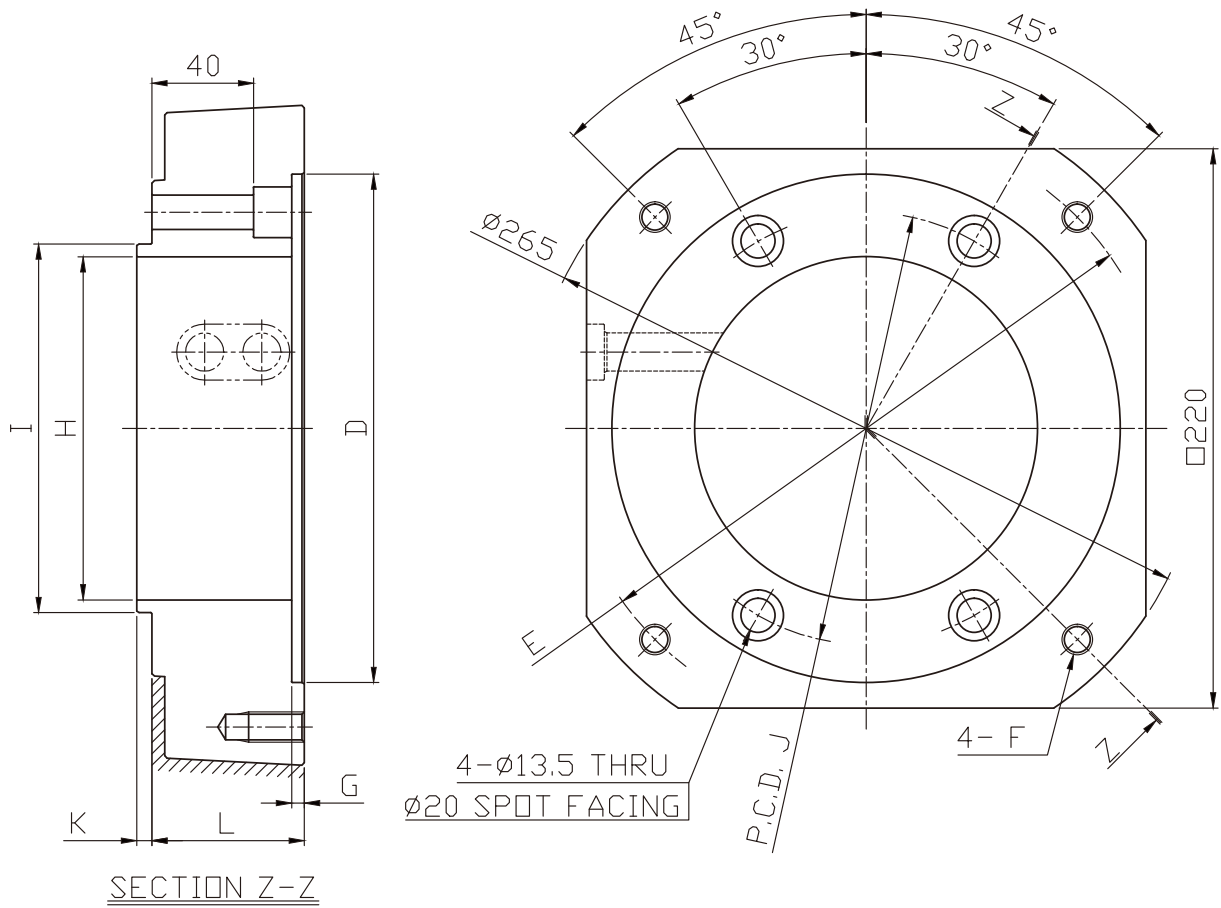
Motor flange / bushing

Option: Base flange

Technical Information

Specifications and dimensions are subject to change without notice.

Motor Flange Dimension Drawing



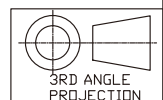
コード Code	モーター取付部寸法 Dimensions (mm)										質量 Mass (kg)
	D	E	F	G	H	I	J	K	L		
JE	$\phi 200^{+0.040}_{+0.015}$	$\phi 235$	M12 DEPTH 22	5	$\phi 135$	$\phi 145_{h7-0.040}$	170	6	60	11.7	

注記

1. 塗装 塗装色 エポキシ マンセルNo.N1.5(黒色) 塗装範囲部分を // // // // に示す。

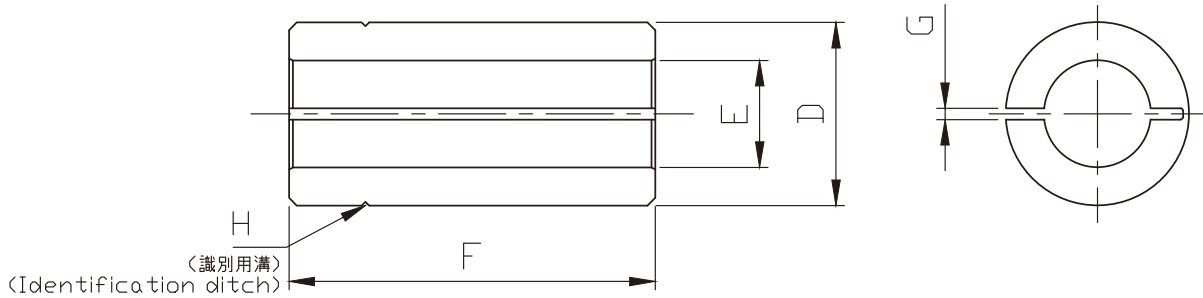
NOTE

1. // // // // area is painted black.

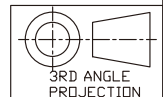


Specifications and dimensions are subject to change without notice.

Bush Dimension Drawing



コード Code	ブッシュ寸法 Dimensions (mm)				
	D	E	F	G	H
0A	Ø14h7-0.018	Ø8 ^{+0.025} / _{+0.005}	26	1.5	無し Nothing
0B		Ø9 ^{+0.025} / _{+0.005}			
0C		Ø10 ^{+0.025} / _{+0.005}			
0D		Ø11 ^{+0.025} / _{+0.005}			有り It is.
0E		Ø9 ^{+0.035} / _{+0.015}			
0F		Ø11 ^{+0.037} / _{+0.017}			
1A	Ø24h7-0.021	Ø14 ^{+0.030} / _{+0.005}	48	1.5	無し Nothing
1B		Ø15 ^{+0.030} / _{+0.005}			
1C		Ø16 ^{+0.030} / _{+0.005}			
1D		Ø17 ^{+0.030} / _{+0.005}			
1E		Ø19 ^{+0.030} / _{+0.005}			有り It is.
1F		Ø22 ^{+0.030} / _{+0.005}			
1G		Ø14 ^{+0.042} / _{+0.017}			
1H		Ø19 ^{+0.045} / _{+0.020}			
1J		Ø16 ^{+0.042} / _{+0.017}			
2A		Ø28h7-0.021			Ø19 ^{+0.030} / _{+0.005}
2B	Ø22 ^{+0.030} / _{+0.005}				
2C	Ø24 ^{+0.030} / _{+0.005}		有り It is.		
2D	Ø19 ^{+0.045} / _{+0.020}				
2E	Ø24 ^{+0.045} / _{+0.020}				
3A	Ø35 ^{+0.010} / _{-0.015}	Ø25 ^{+0.030} / _{+0.005}	72	1.5	無し Nothing
3B		Ø28 ^{+0.030} / _{+0.005}			
3C		Ø28 ^{+0.045} / _{+0.020}			有り It is.
3D		Ø32 ^{+0.048} / _{+0.023}			
3E		Ø32 ^{+0.030} / _{+0.005}			
4A	Ø42h7-0.025	Ø32 ^{+0.030} / _{+0.005}	77	1.5	無し Nothing
4B		Ø35 ^{+0.040} / _{+0.015}			
4C		Ø38 ^{+0.048} / _{+0.023}			
4D		Ø32 ^{+0.048} / _{+0.023}			
4E		Ø38 ^{+0.030} / _{+0.005}			
4F		Ø35 ^{+0.030} / _{+0.005}			



Straight input type

Right angle input type

Pulley input type

Motor flange / bushing

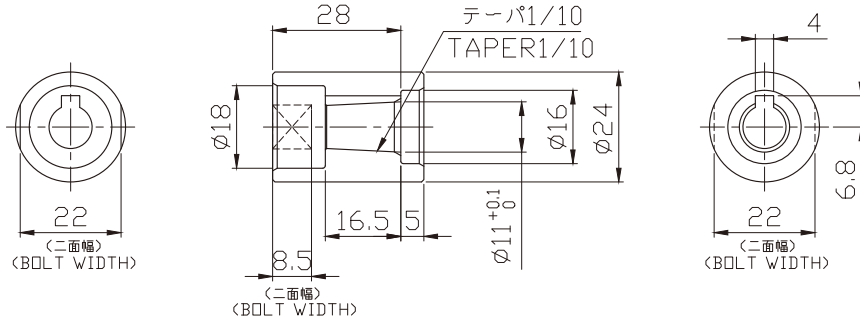
Option: Base flange

Technical Information

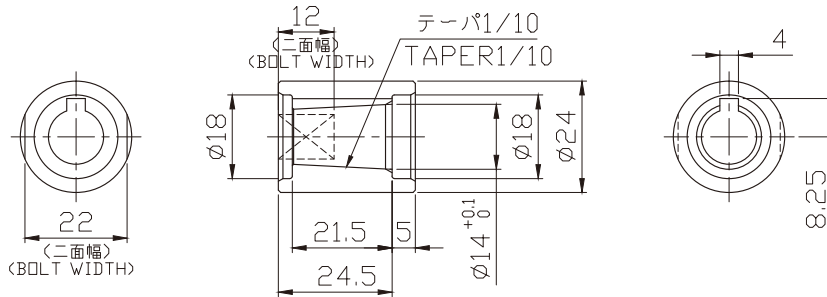
Specifications and dimensions are subject to change without notice.

Bush Dimension Drawing

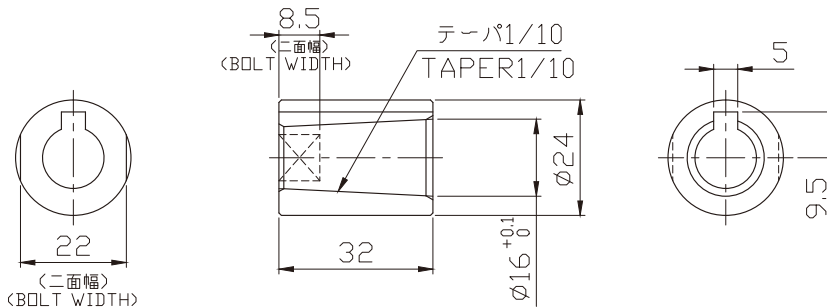
6A



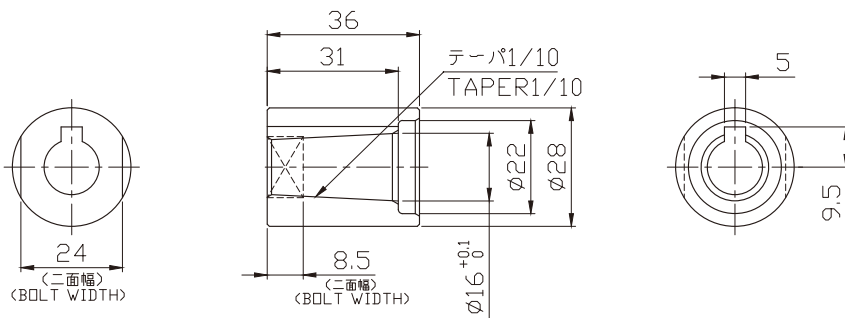
6B



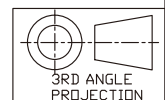
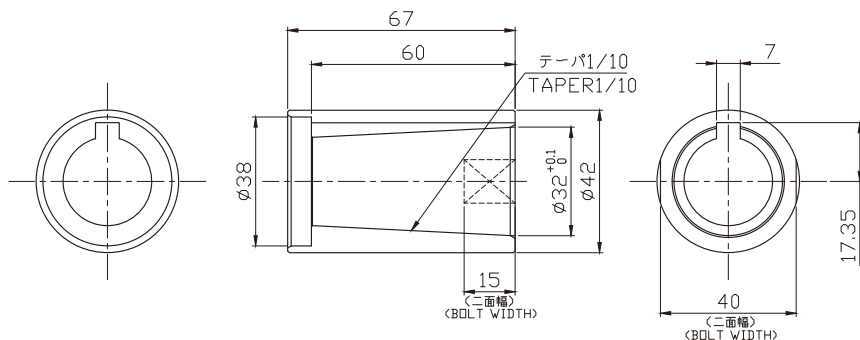
6C



7A



9A





Option: Base Flange

An optional base flange is available. This allows the RD2 to be easily installed in the equipment and enhances the usability.



Base flange



RD2 series

Base flange code description / configuration diagram

Product code

For details about the codes, refer to pages 13, 41, and 69.

RD S - 100 C - 258 - G2 - CF - 1E - D

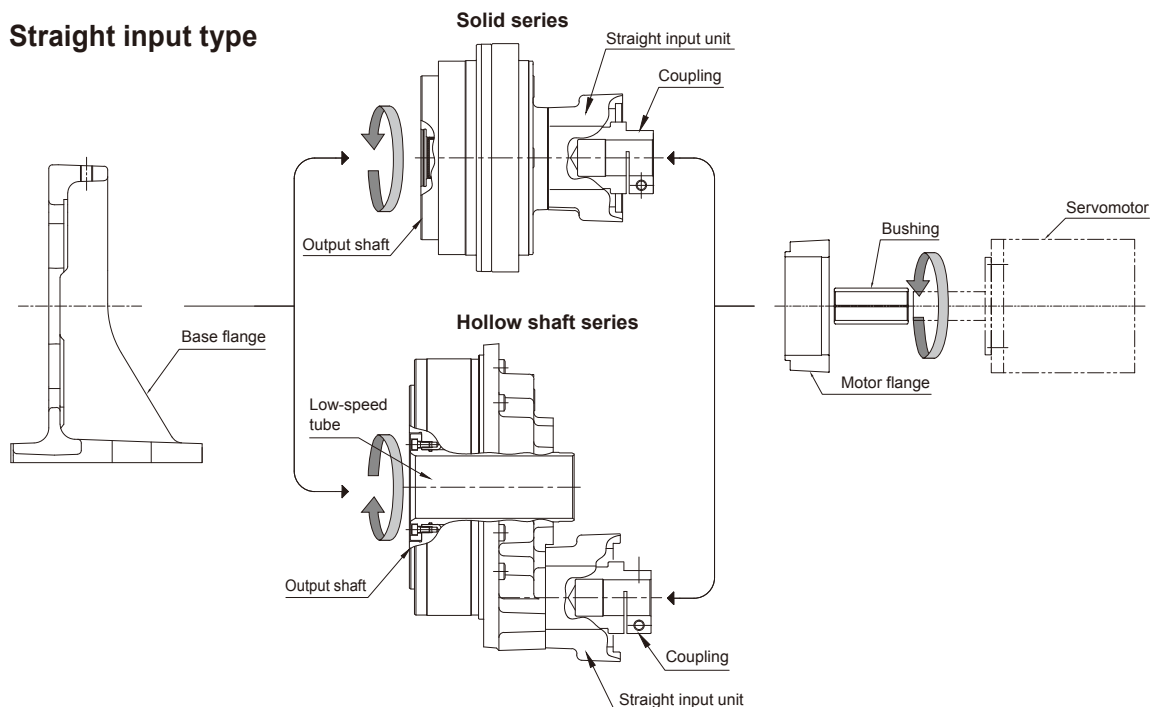
Model Code		Base flange code
Input type code	Series code	
S	E	P-D
	C	P-D U-L-R
R	E	
	C	
P	E	P-D
	C	P-D U-L-R

Base flange code	Base flange assembly status	Assembly drawing	
		RDR-160E	RDS-100C
P	Base flange attached.	-	
D	Downward input or Center input (RDS- □ E, RDP- □ E)		
U	Upward input		
L	Leftward input		
R	Rightward input		

Select codes in accordance with the presence or mounting direction of the base flange.

Configuration diagram

Straight input type



Straight input type

Right angle input type

Pulley input type

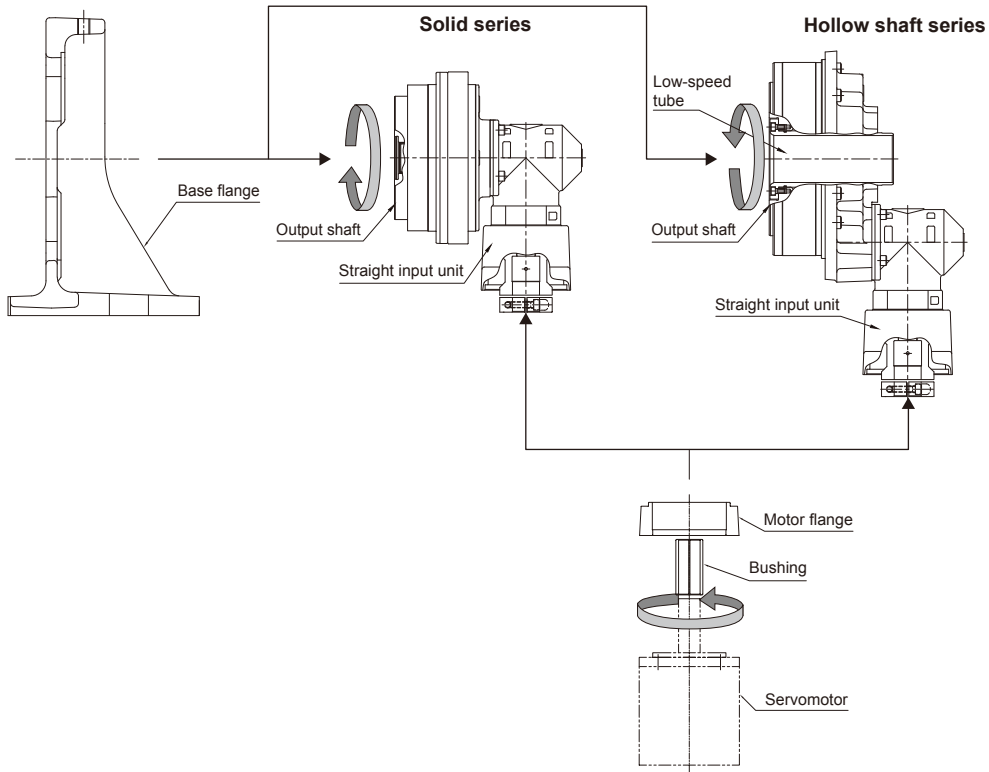
Motor flange / bushing

Option: Base flange

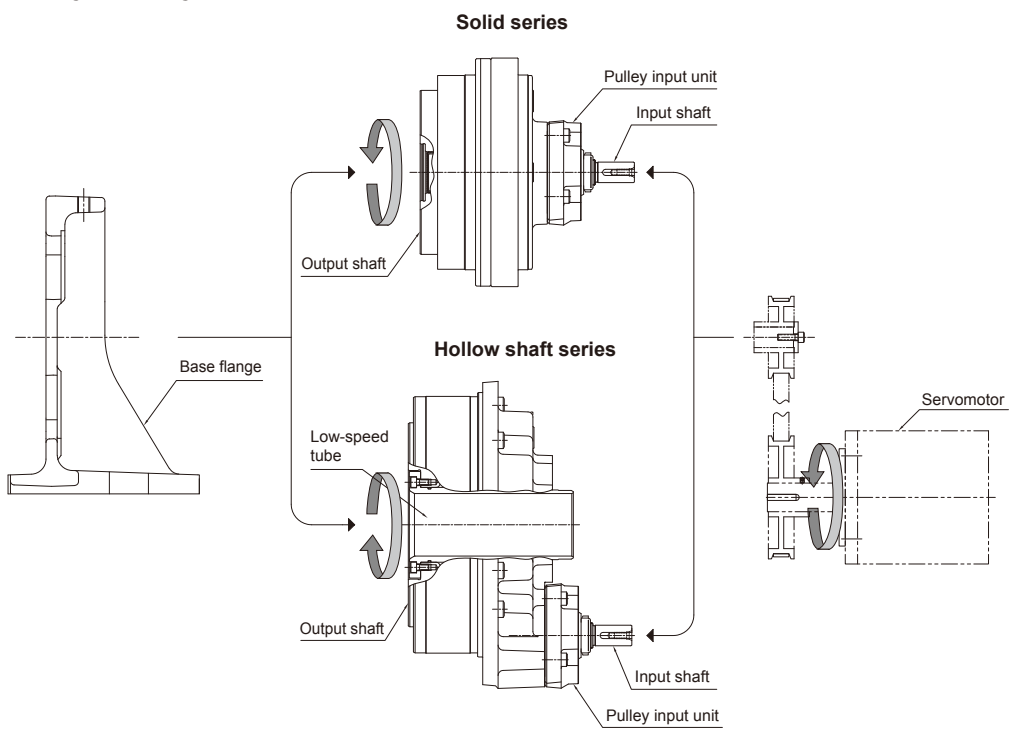
Technical Information

Configuration diagram

Right angle input type



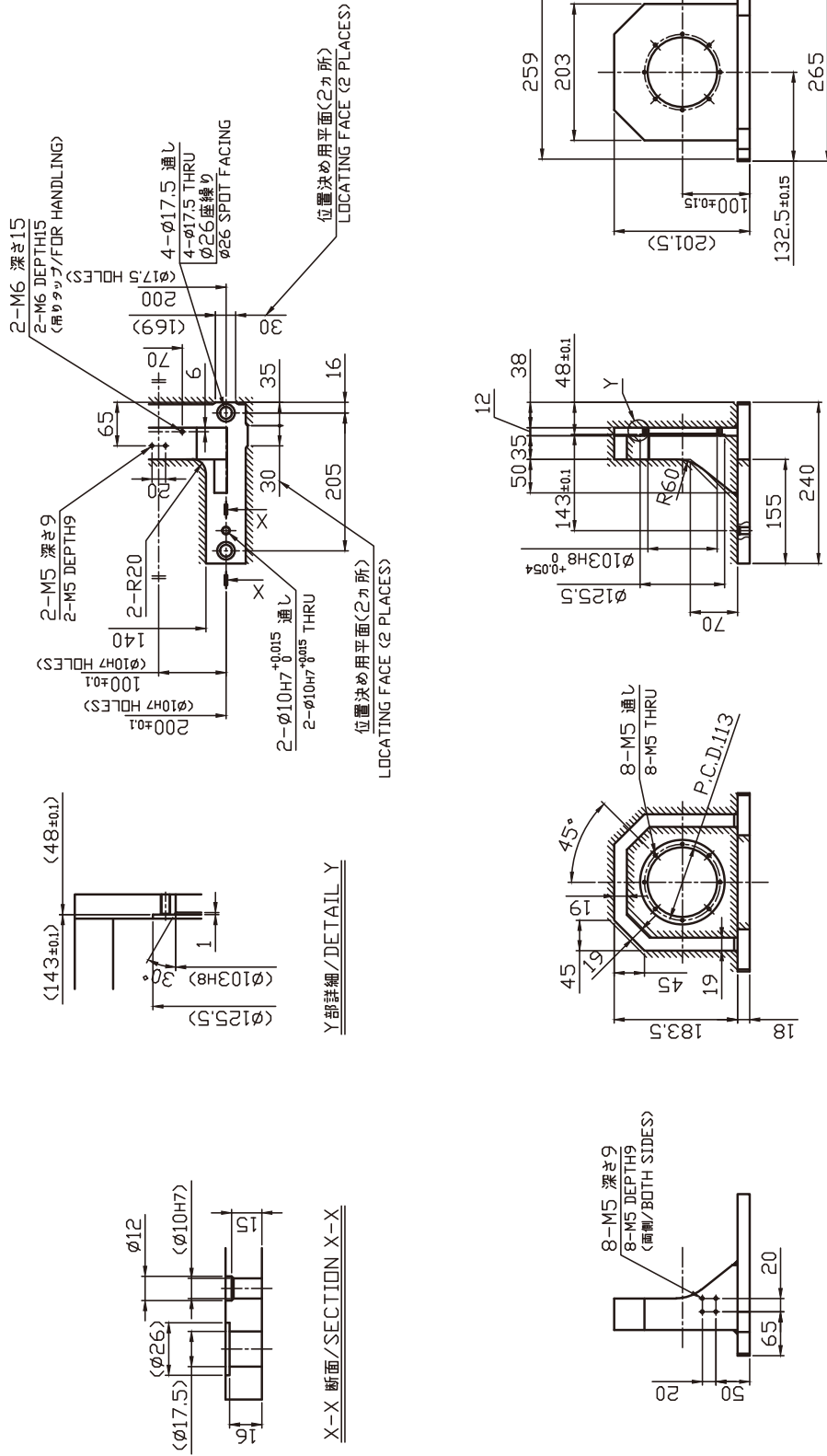
Pulley input type



Specifications and dimensions are subject to change without notice.

Base Flange Dimension Drawing

RDD-006E Base Flange



注記
Note

表面処理
Surface process
本図面は、溶接構造である。
This drawing is made by welded.

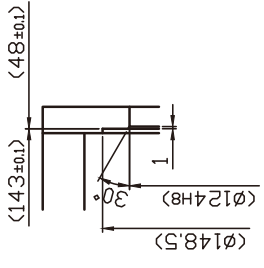
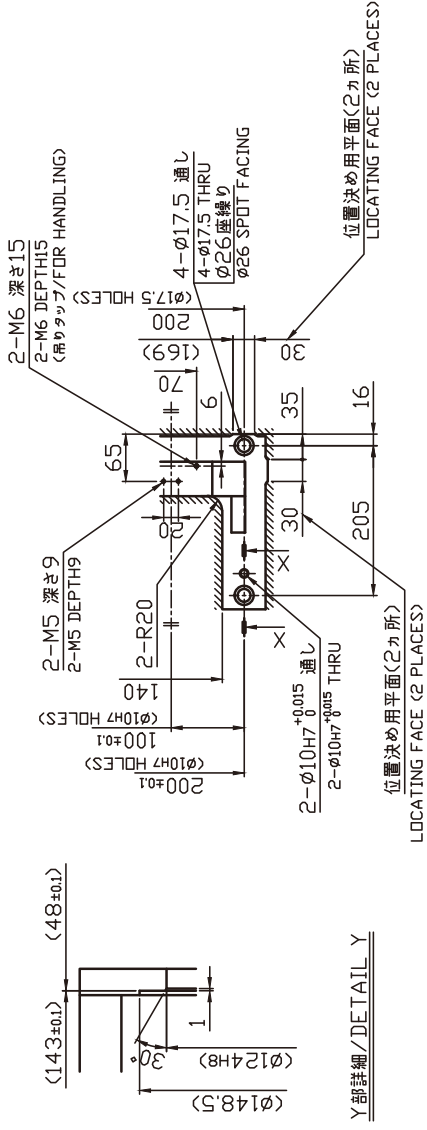
塗装範囲部分を // にて示す。(マンゼルNo.NI.5(黒色)(ウレタン塗装))
Hatching (//) area is painted black.(Urethane resin coating)



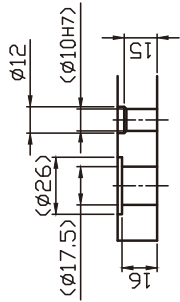
Specifications and dimensions are subject to change without notice.

Base Flange Dimension Drawing

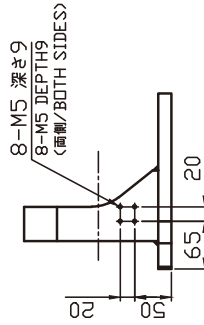
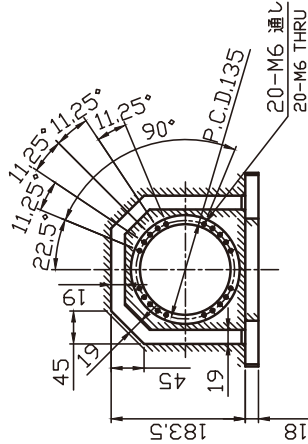
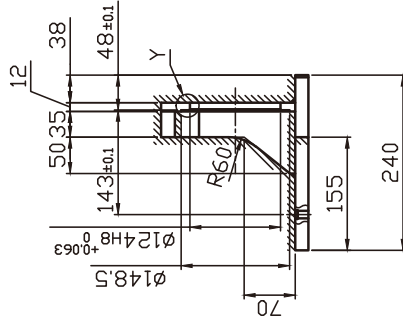
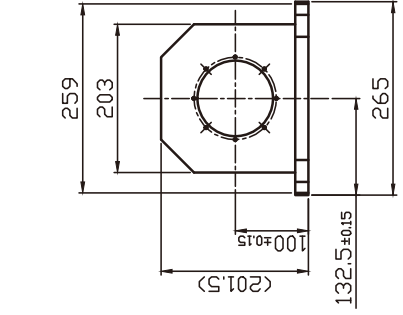
RDD-020E Base Flange



Y部詳細/DETAIL Y



X-X 断面/SECTION X-X



注記
Note

塗装範囲部分を // にて示す。(マンセルNo.N1.5(黒色)(ウレタン塗装))
 Surface process Hatching (//) area is painted black(Urethane resin coating)

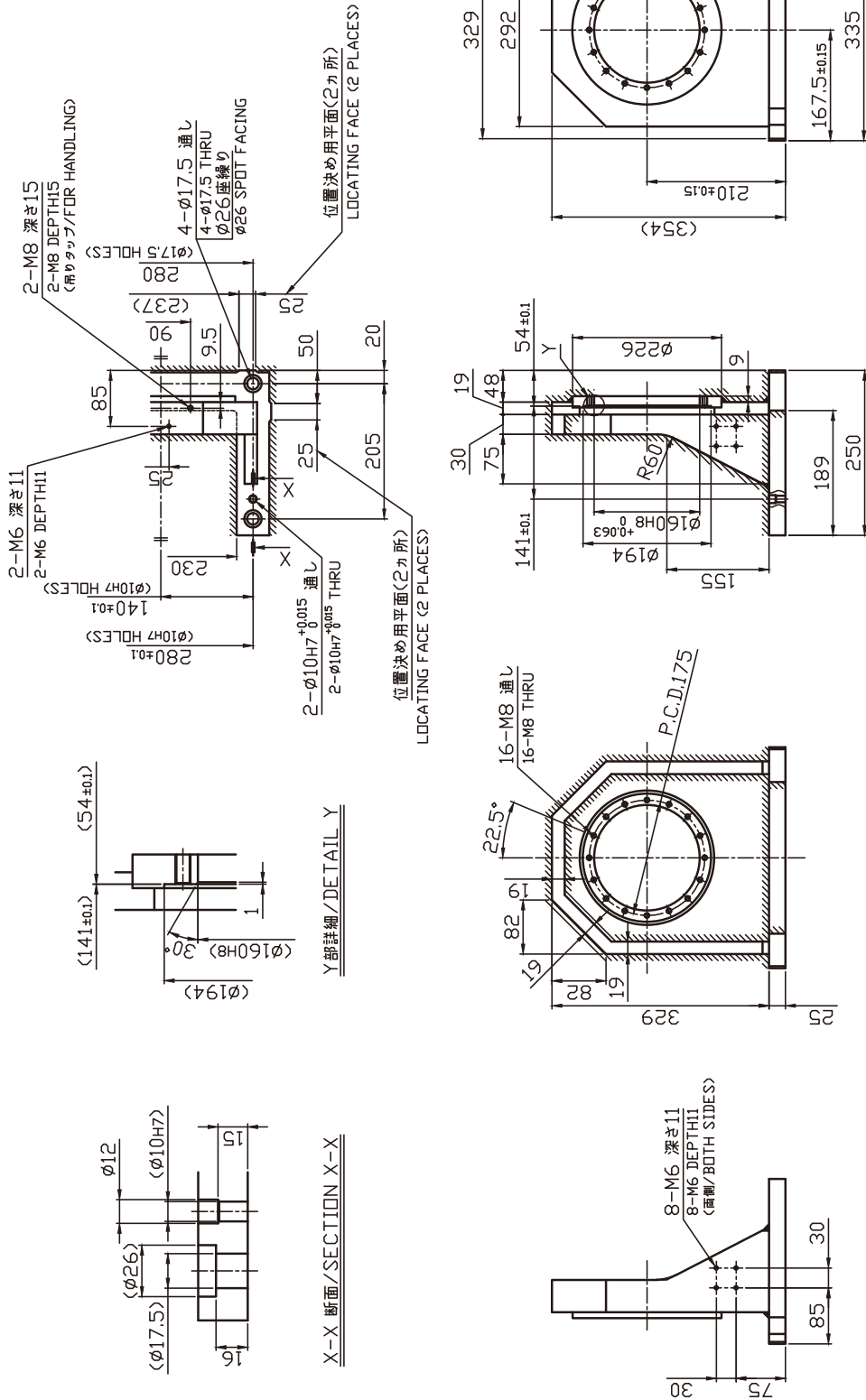
本図面は、溶接構造である。
 This drawing is made by welded.



Specifications and dimensions are subject to change without notice.

Base Flange Dimension Drawing

RDD-040E Base Flange



注記
Note

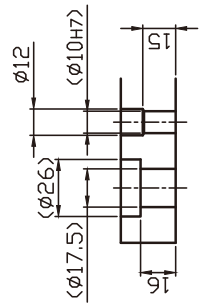
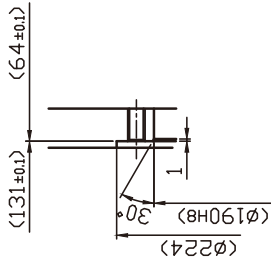
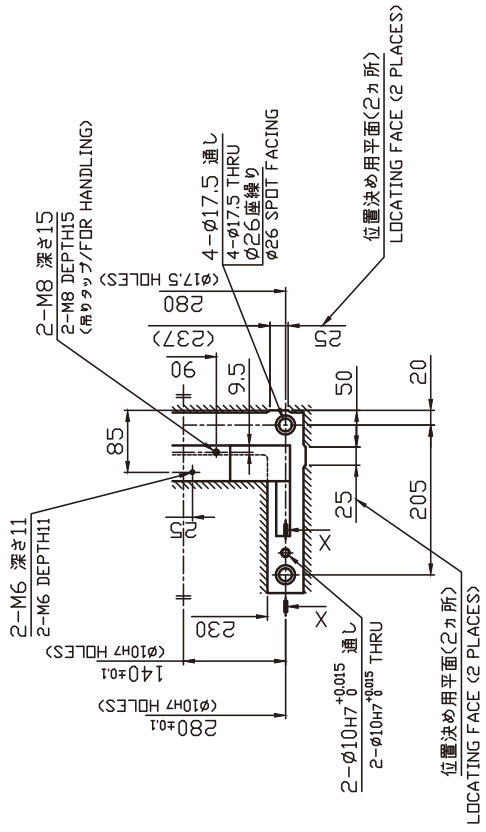
表面処理 塗装範囲部分を // にて示す。(マンセルNo.N1.5(黒色)(ウレタン塗装))
Surface process Hatching (//) area is painted black(Urethane resin coating)
本図面は、溶接構造である。
This drawing is made by welded.



Specifications and dimensions are subject to change without notice.

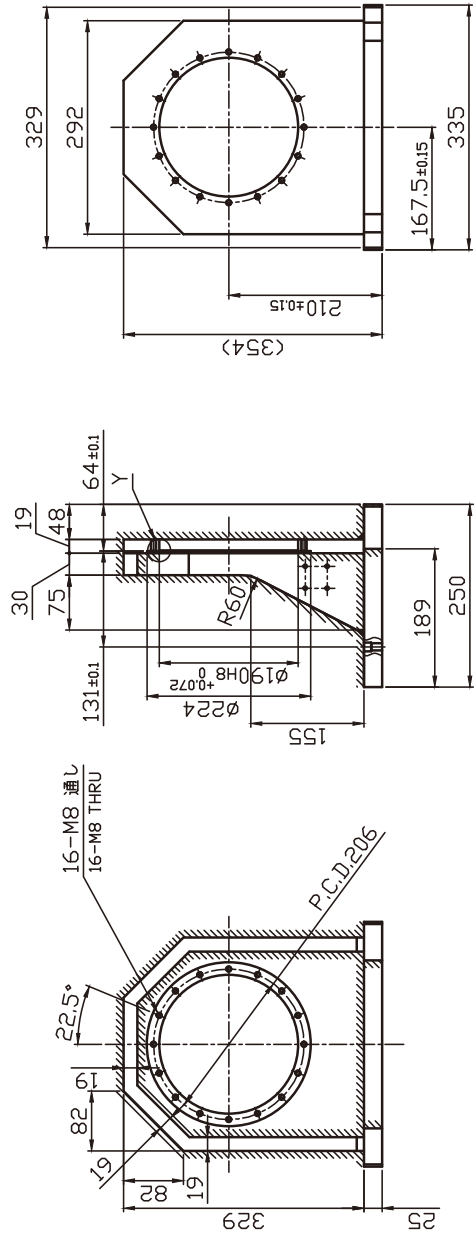
Base Flange Dimension Drawing

RDD-080E Base Flange



Y部詳細/DETAIL Y

X-X 断面/SECTION X-X



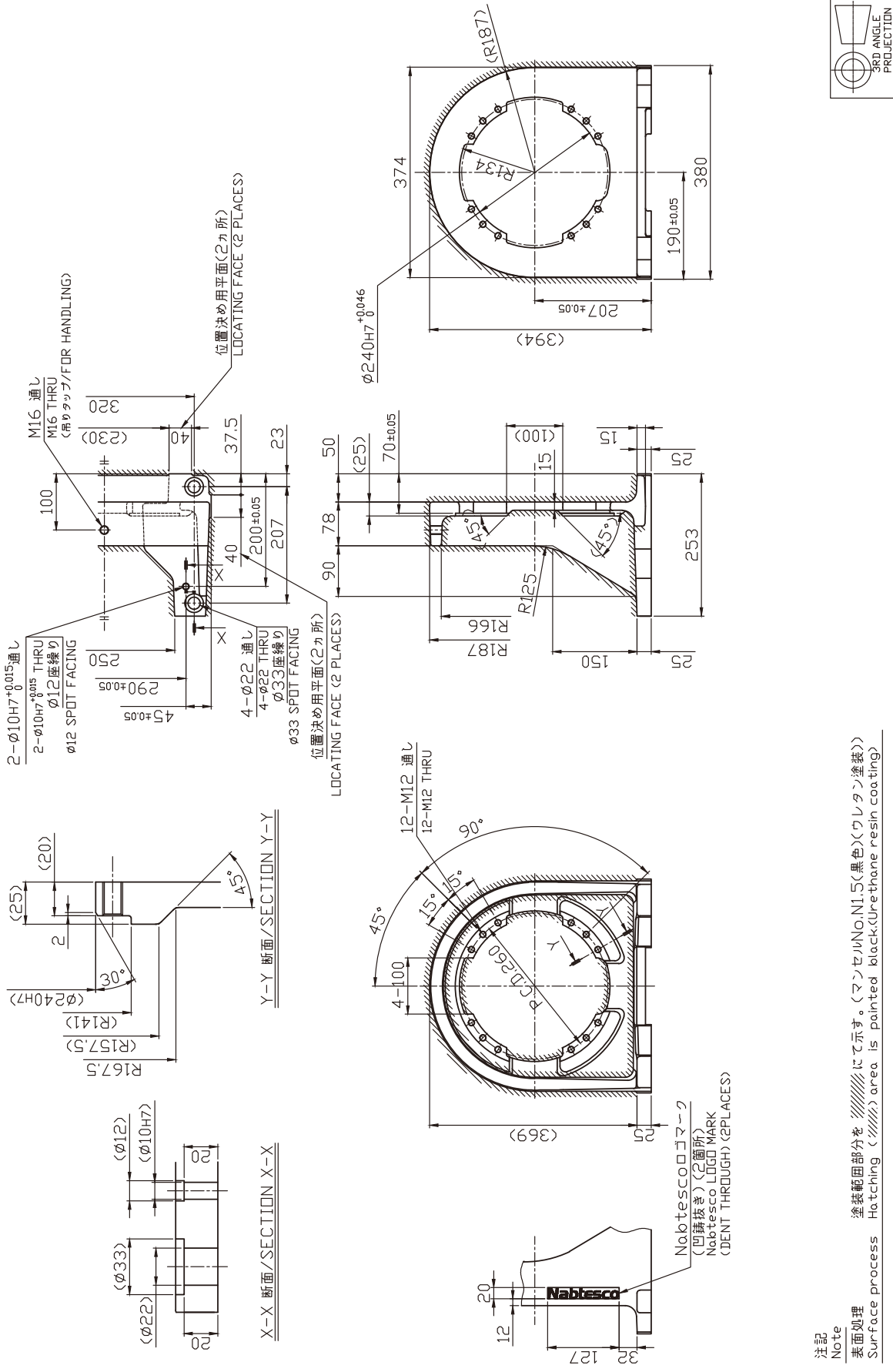
注記
Note
 塗装範囲部分を // に示す。(マンセルNo.N1.5(黒色)(ウレタン塗装))
 Surface process Hatching (//) area is painted black(Urethane resin coating)
 本図面は、溶接構造である。
 This drawing is made by welded.



Specifications and dimensions are subject to change without notice.

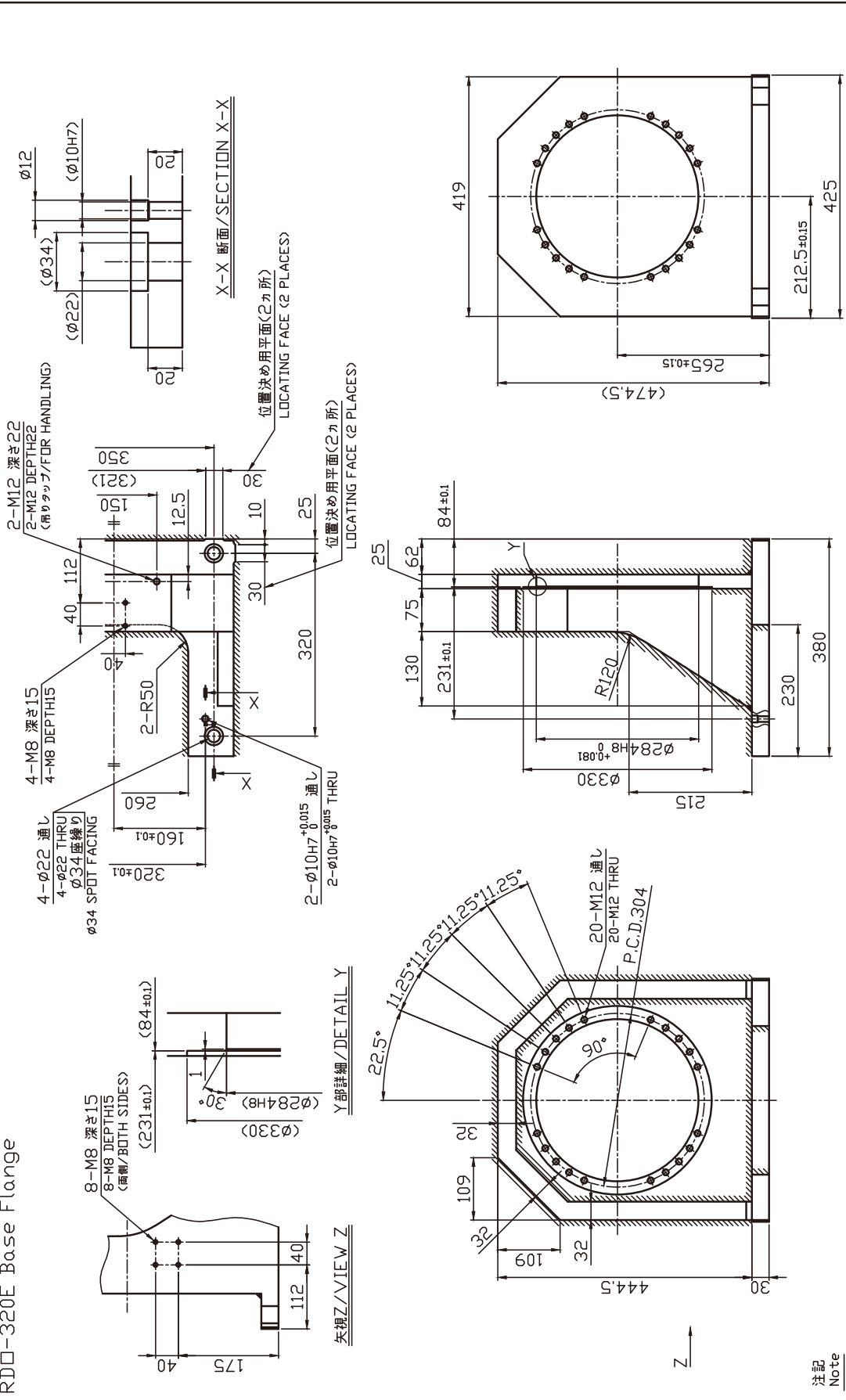
Base Flange Dimension Drawing

RDD-160E Base Flange



Specifications and dimensions are subject to change without notice.

Base Flange Dimension Drawing RDO-320E Base Flange



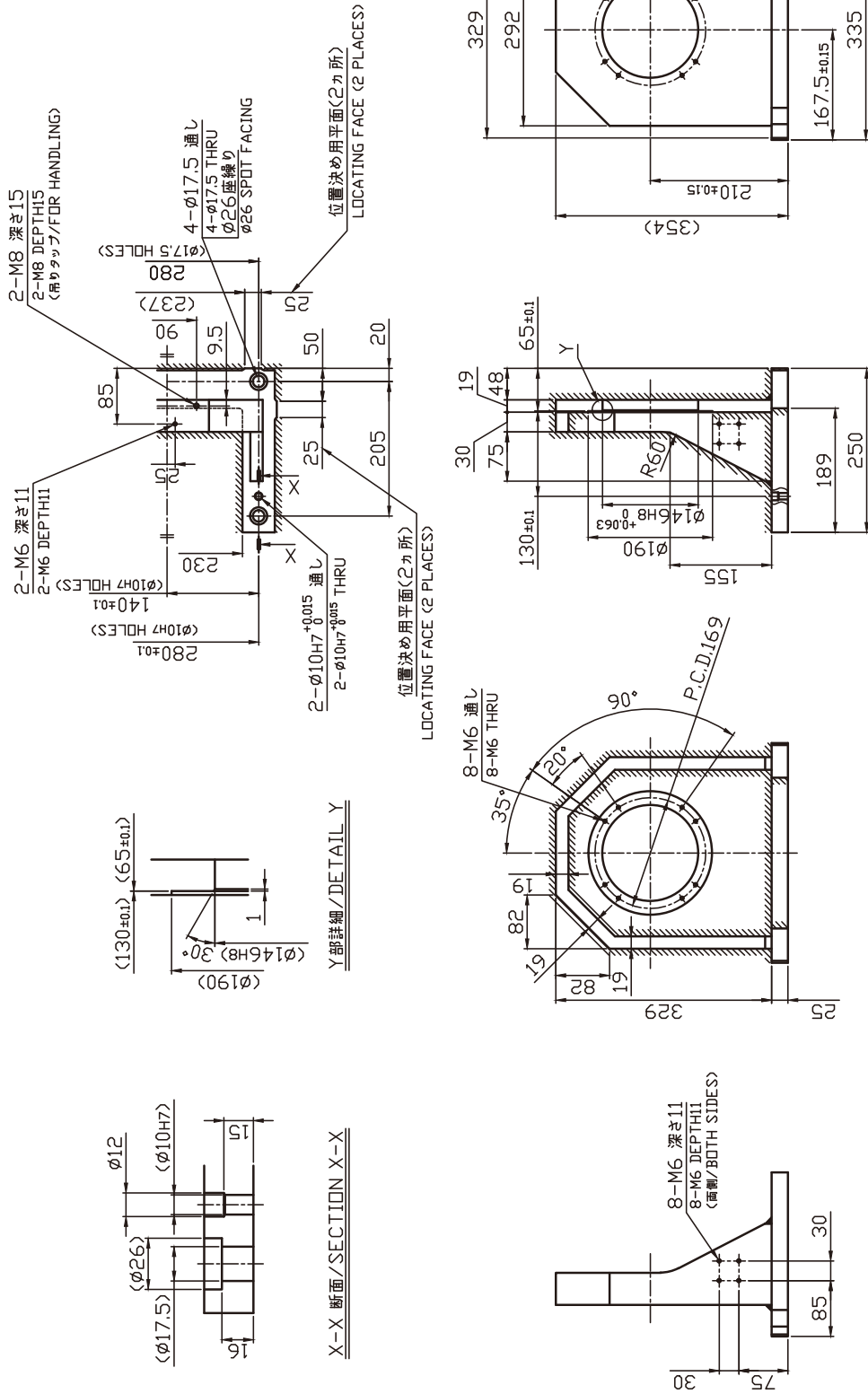
注記
Note
表面処理 塗装範囲部分を /// に示す。(マンセルNo.11.5(黒色)(ウレタン塗装))
Surface process Hatching (///) area is painted black(Urethane resin coating)
本図面は、溶接構造である。
This drawing is made by welded.



Specifications and dimensions are subject to change without notice.

Base Flange Dimension Drawing

RDD-010C Base Flange



注記
Note

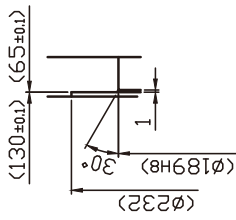
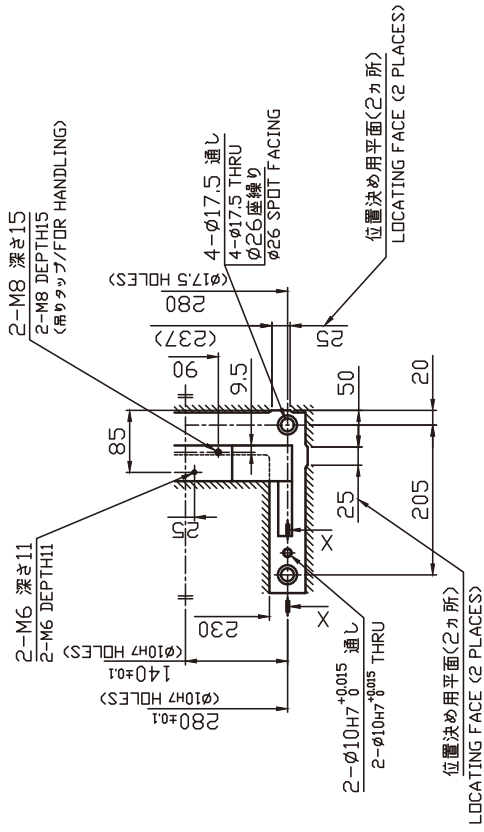
表面処理 塗装範囲部分を /// にて示す。(マンセルNo.NI.5(黒色)(ウレタン塗装))
Surface process Hatching /// area is painted black(Urethane resin coating)
本図面は、溶接構造である。
This drawing is made by welded.



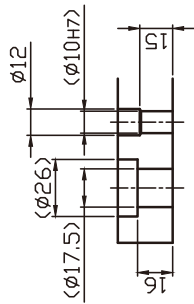
Specifications and dimensions are subject to change without notice.

Base Flange Dimension Drawing

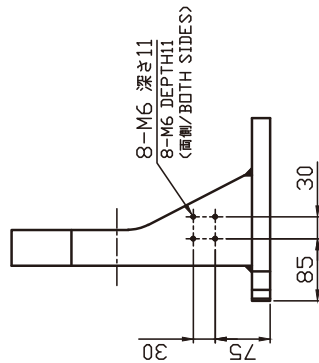
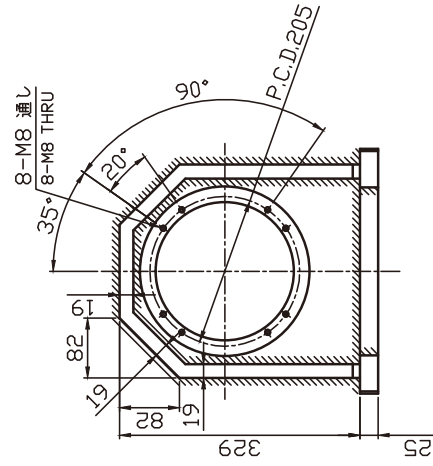
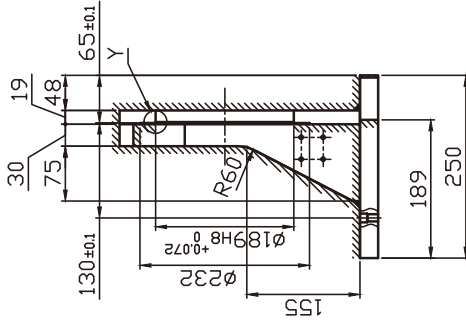
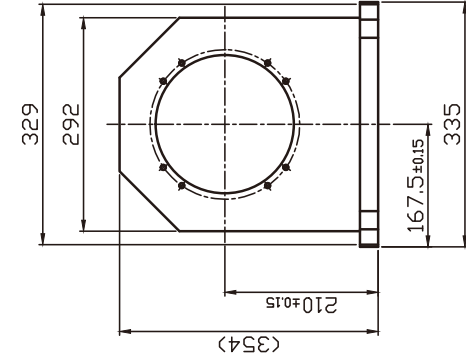
RDD-027C Base Flange



Y部詳細/DETAIL Y



X-X 断面/SECTION X-X



注記
Note

表面処理 塗装範囲部分を // に示す。(マンセルNo.N1.5(黒色)(ウレタン塗装))
Surface process Hatching (//) area is painted black(Urethane resin coating)

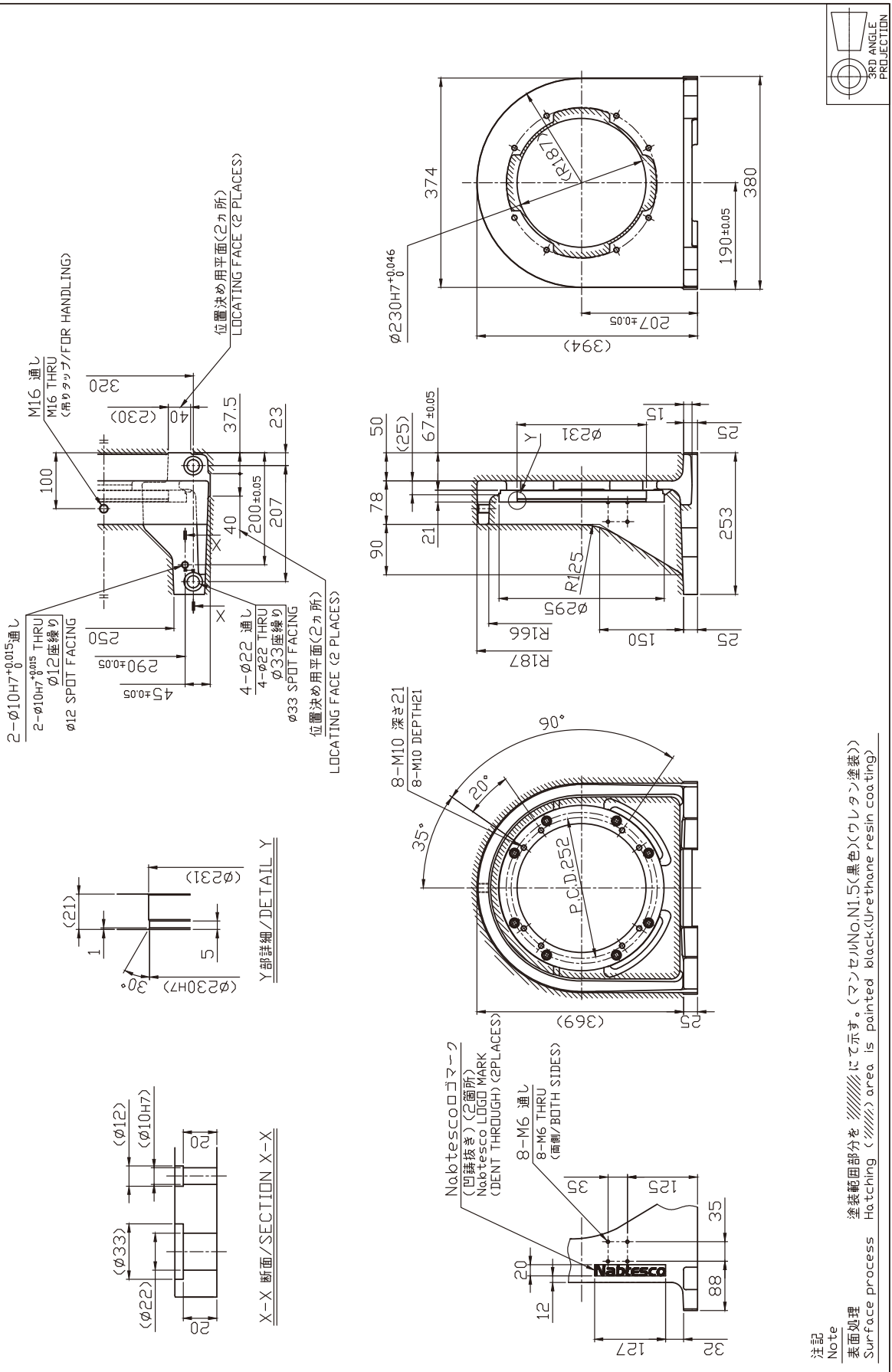
本図面は、溶接構造である。
This drawing is made by welded.



Specifications and dimensions are subject to change without notice.

Base Flange Dimension Drawing

RDO-050C Base Flange

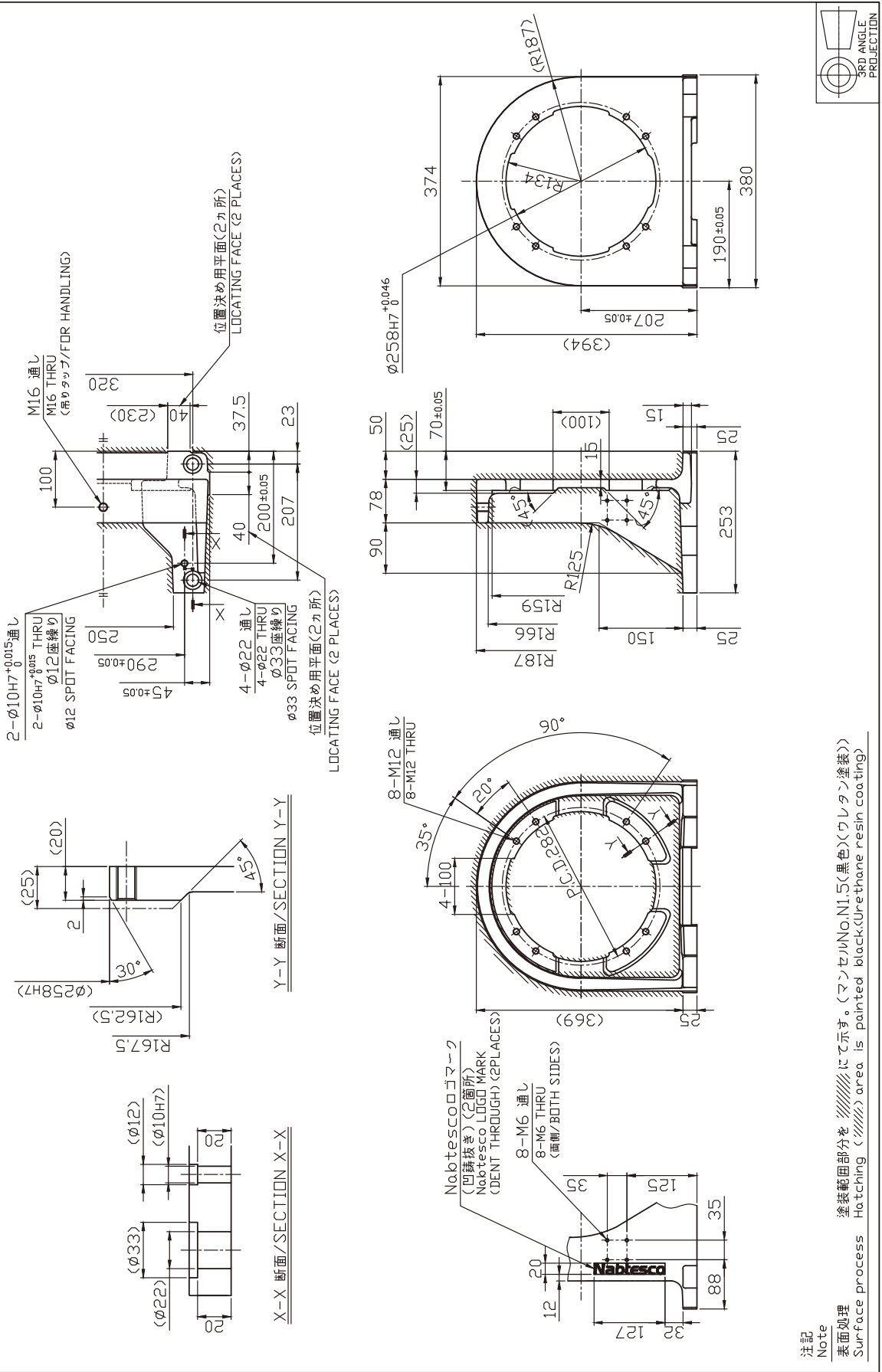


注記 Note
 表面処理 Surface process
 塗装範囲部分を 斜線に示す。(マンセルNo.N1.5(黒色)(ウレタン塗装))
 Hatching (////) area is painted black.(Urethane resin coating)

Specifications and dimensions are subject to change without notice.

Base Flange Dimension Drawing

RDD-100C Base Flange



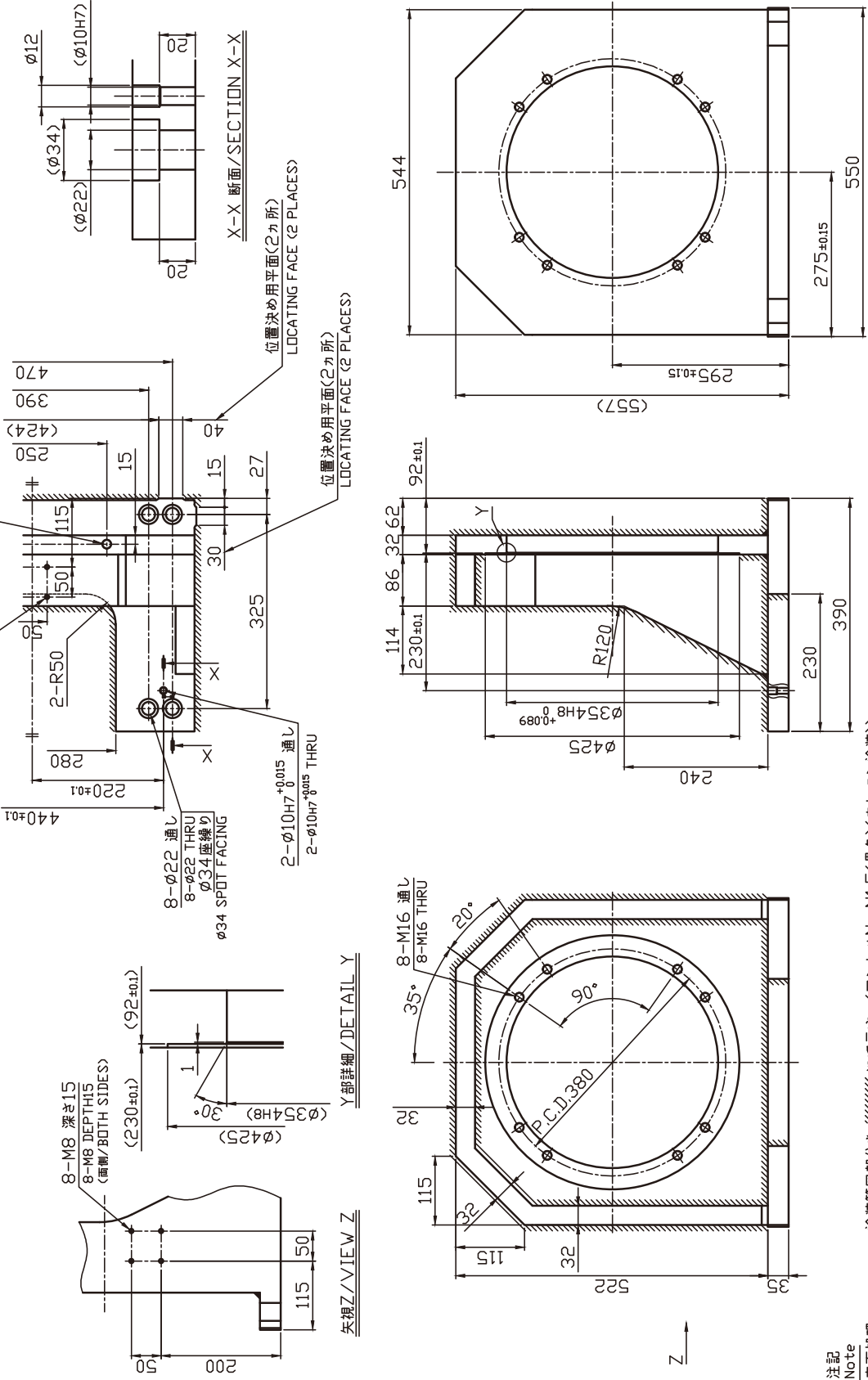
注記
Note

塗装範囲部分を (斜線) にて示す。(マンセルNo.N1.5(黒色)(ウレタン塗装))
 Surface process Hatching (////) area is painted black(Urethane resin coating)

Specifications and dimensions are subject to change without notice.

Base Flange Dimension Drawing

RDD-200C Base Flange



注記
 Note

塗装範囲部分を // にて示す。(マンセルNo.NI.5(黒色)(ウレタン塗装))
 Surface process Hatching (////) area is painted black(Urethane resin coating)
 本図面は、溶接構造である。
 This drawing is made by welded.



Technical Information

Option: Base flange

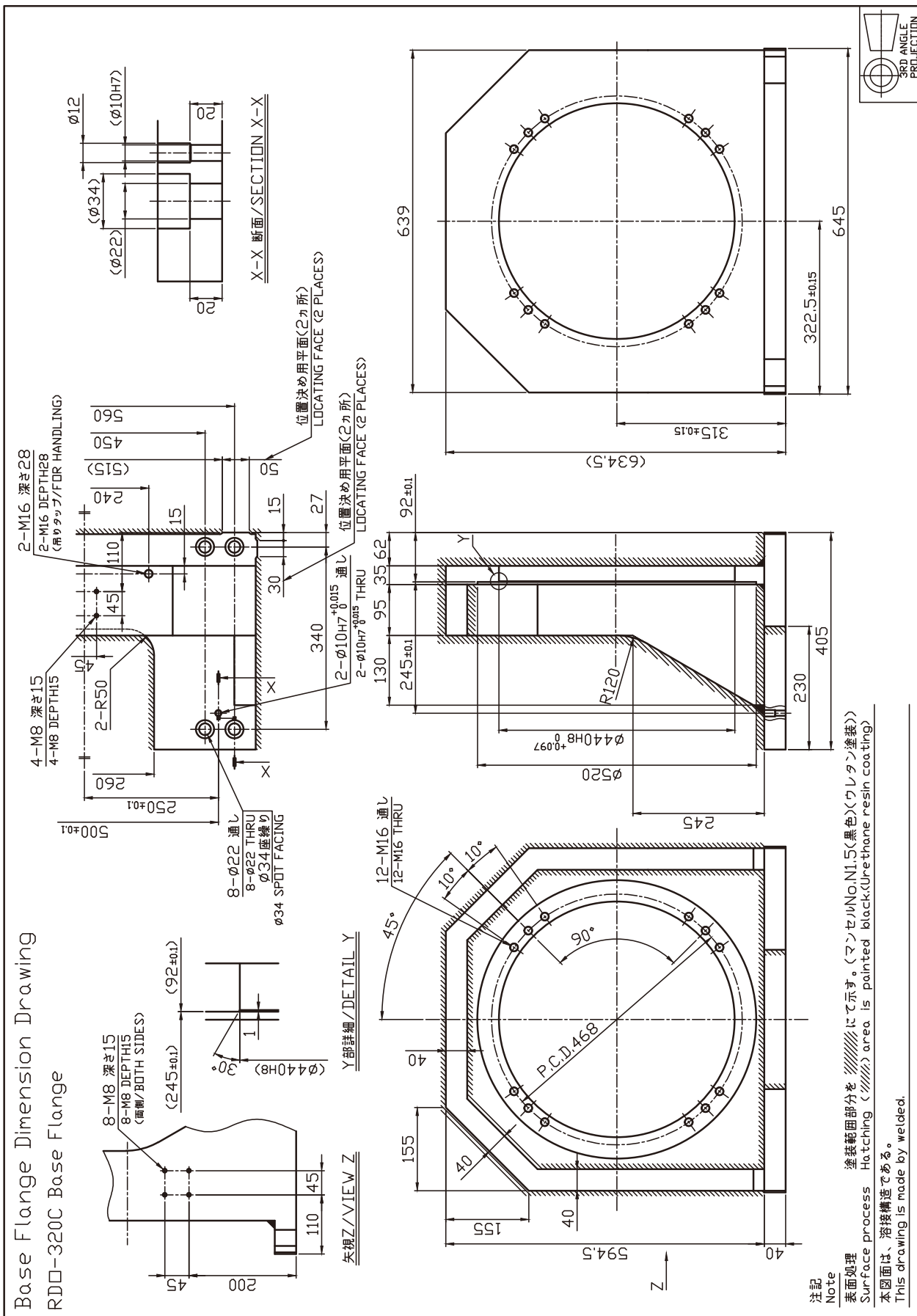
Motor flange / bushing

Pulley input type

Right angle input type

Straight input type

Specifications and dimensions are subject to change without notice.





Technical Information

Considering the use of RD2 series

This product features high precision and high rigidity, however, it is necessary to strictly comply with various restrictions and make considerations to maximize the product's features. Please read this technical document thoroughly and select and adopt an appropriate model based on the actual operating environment, method, and conditions at your facility.

Export

- When this product is exported from Japan, it may be subject to the export regulations provided in the "Foreign Exchange Order and Export Trade Control Order". Be sure to take sufficient precautions and perform the required export procedures in advance if the final operating party is related to the military or the product is to be used in the manufacture of weapons, etc.

Application

- If failure or malfunction of the product may directly endanger human life or if it is used in units which may injure the human body (atomic facilities, space equipment, medical equipment, safety units, etc.), examination of individual situations is required. Contact our agent or nearest business office in such a case.

Safety measures

- Although this product has been manufactured under strict quality control, a mistake in operation or misuse can result in breakdown or damage, or an accident resulting in injury or death. Be sure to take all appropriate safety measures, such as the installation of independent safeguards.

Product specifications indicated in this catalog

- The specifications indicated in this catalog are based on Nabtesco evaluation methods. This product should only be used after confirming that it is appropriate for the operating conditions of your system.

Operating environment

Use the reduction gear under the following environment:

- Location where the ambient temperature is between -10°C and 40°C.
- Location where the humidity is less than 85% and no condensation occurs.
- Location where the altitude is less than 1000 m.
- Well-ventilated location

Do not install the reduction gear at the following locations.

- Locations where a lot of dust is collected.
- Outdoor areas that are directly affected by wind and rain
- Locations near to areas that contains combustible, explosive, or corrosive gases and flammable materials.
- Location that is heated due to heat transfer and radiation from peripherals and direct sun.
- Location where the performance of the servomotor can be affected by magnetic fields or vibration.

Note 1: If the required installation environment cannot be established, contact our customer representative in advance.

Note 2: When using the reduction gear under special conditions (clean room, equipment for food, concentrated alkali, high-pressure steam, etc.), contact our customer representative in advance.

Maintenance

- The standard replacement time for lubricant is 20,000 hours. However, when operation involves a reduction gear surface temperature above 40°C, the state of degradation of the lubricant should be checked in advance of that and the grease replaced earlier as necessary.

Reduction gear temperature

- When the reduction gear is used under high load and at a high duty ratio, it may overheat and the surface temperature may exceed the allowable temperature. Be aware of conditions so that the surface temperature of the reduction gear does not exceed 60°C while it is in operation. There is a possibility of damage (to the product) if the surface temperature exceeds 60°C.

Reduction gear output rotation angle

- When the range of the rotation angle is small (10 degrees or less), the service life of the reduction gear may be reduced due to poor lubrication or the internal parts being subject to a concentrated load.

Note: Contact us in case the rotation angle is 10 degrees or less.

Manuals

- Safety information and detail product instructions are indicated in the operation manual. The operation manual can be downloaded from the following website.

<https://precision.nabtesco.com/>

Glossary

Life rating

The lifetime resulting from the operation with the rated torque and the rated output speed is referred to as the "life rating".

Allowable acceleration/deceleration torque

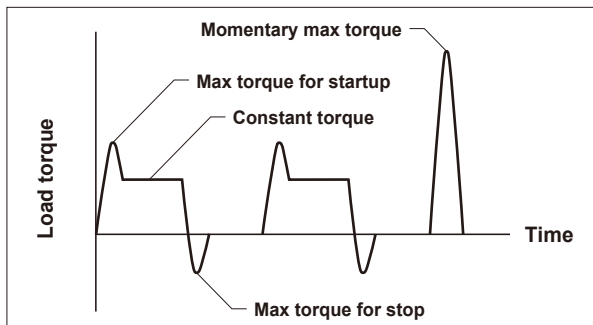
When the machine starts or stops, the load torque to be applied to the reduction gear is larger than the constant-speed load torque due to the effect of the inertia torque of the rotating part. In such a situation, the allowable torque during acceleration/deceleration is referred to as "allowable acceleration/deceleration torque".

Note: Be careful that the load torque, which is applied at startup and stop, does not exceed the allowable acceleration/deceleration torque.

Momentary maximum allowable torque

A large torque may be applied to the reduction gear due to execution of emergency stop or by an external shock. In such a situation, the allowable value of the momentary applied torque is referred to as "momentary maximum allowable torque".

Note: Be careful that the momentary excessive torque does not exceed the momentary maximum allowable torque.



Allowable input speed

The allowable value of the input speed is referred to as "allowable input speed".

Note: The reduction gear temperature may increase significantly even when the speed is under the allowable speed depending on the speed ratio. In such a case, use the reduction gear at the speed so that the gear temperature is 60°C or lower.

Allowable output speed

The allowable value of the output speed is referred to as "allowable output speed".

Note: The reduction gear temperature may exceed 60°C even when the speed is under the allowable output speed depending on the specification conditions (duty, ambient temperature). In such a case, use the reduction gear at the speed so that the gear temperature is 60°C or lower.

Allowable output speed reference value

This is a reference value of the output speed at which the temperature increase of the reduction gear is 40°C or lower when the rated torque is applied to the reduction gear and the gear is operated continuously in one direction.

Note: Maintain the environment and operation conditions so that the temperature of the reduction gear is 60°C or lower.

Torsional rigidity, lost motion, backlash

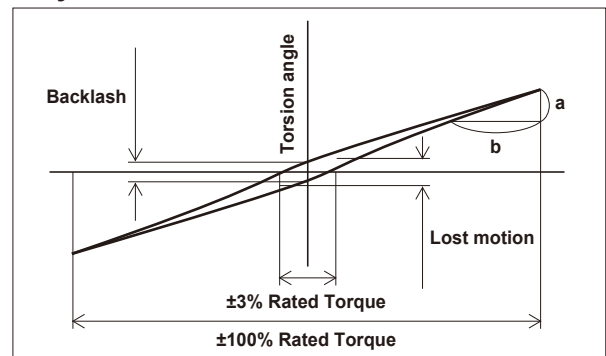
When a torque is applied to the output shaft while the input shaft is fixed, torsion is generated according to the torque value. The torsion can be shown in the hysteresis curves.

The value of b/a is referred to as "torsional rigidity."

The torsion angle at the mid point of the hysteresis curve within $\pm 3\%$ of the rated torque is referred to as "lost motion."

The torsion angle when the torque indicated by the hysteresis curve is equal to zero is referred to as "backlash."

Hysteresis curve



Startup efficiency

The efficiency of the moment when the reduction gear starts up is referred to as "startup efficiency."

No-load running torque (input shaft)

The torque for the input shaft that is required to run the reduction gear without load is referred to as "no-load running torque."

Allowable moment and maximum thrust load

The external load moment may be applied to the reduction gear during normal operation. The allowable values of the external moment and the external axial load at this time are each referred to as "allowable moment" and "maximum thrust load."

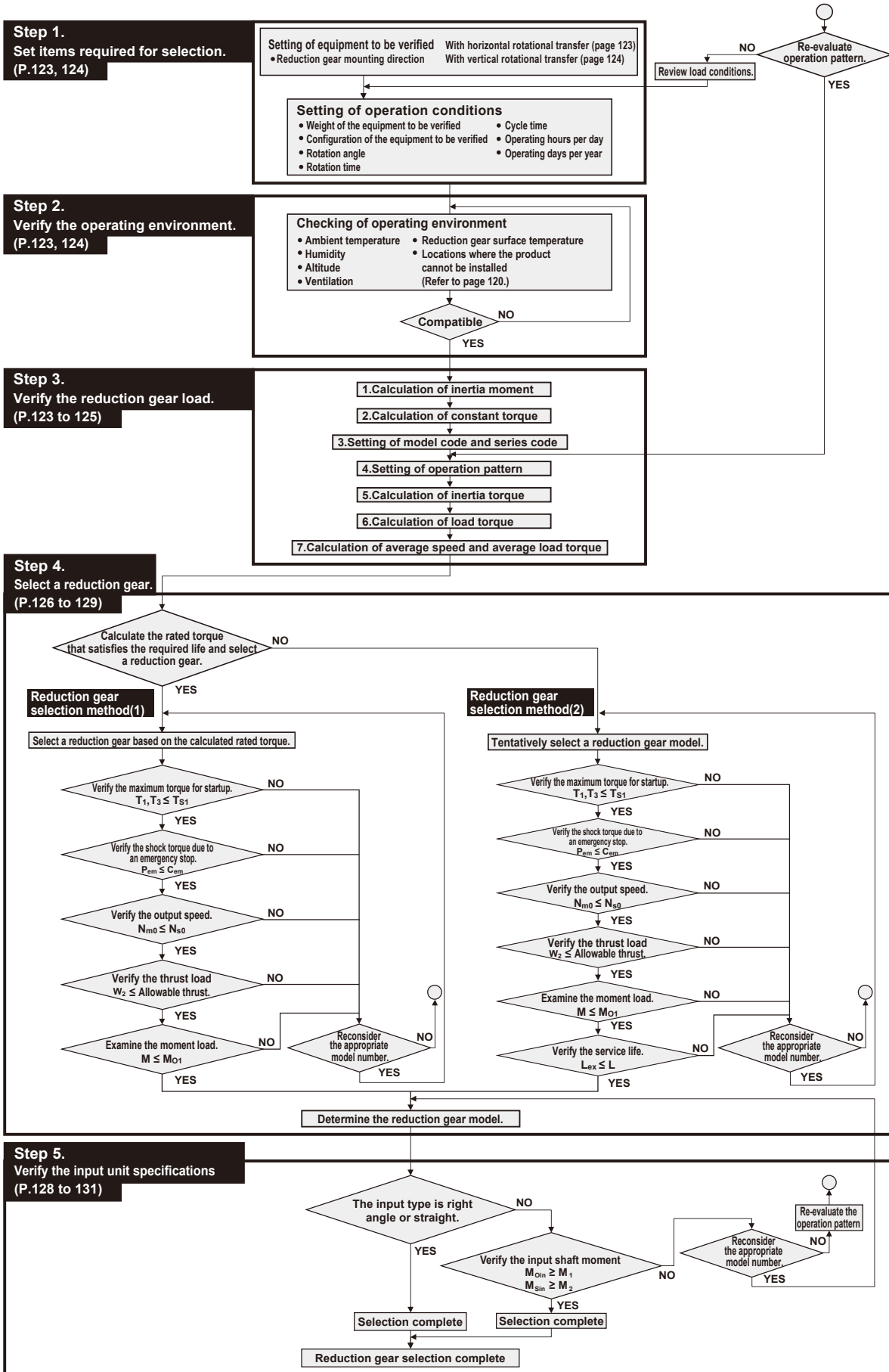
Input shaft rated moment

This is the moment load that satisfies the life rating. The moment to be applied normally must be less than the rated moment.

Input shaft allowable moment

This is the allowable value of the load that can be applied for startup and stop.

Product selection flowchart



A limitation is imposed on the motor torque value according to the momentary maximum allowable torque of the selected reduction gear. (Refer to page 130)

When the reduction gear selection is completed, select a motor flange and bushing. (Refer to pages 83 to 85.)

With horizontal rotational transfer

Step 1. Set the items required for selection.

Setting item	Setting
Presence of hollow in the output surface of the reduction gear	Hollow (C type)
Reduction gear mounting direction	Vertical shaft installation
Equipment weight to be examined	
W _A ————— Disk weight (kg)	450
W _B ————— Work weight (kg)	100 x 4 pieces
Equipment configuration to be examined	
D ₁ ————— Disk: D dimension (mm)	1,200
a ————— Work piece: a dimension (mm)	200
b ————— Work piece: b dimension (mm)	400
D ₂ ————— Work piece: P.C.D. (mm)	800
Operation conditions	
θ ————— Rotation angle (°)*1	180
[t ₁ +t ₂ +t ₃] ————— Rotation time (sec)	2.5
[t ₄] ————— Cycle time (sec)	20
Q ₁ ————— Equipment operation hours per day (hours/day)	12
Q ₂ ————— Equipment operation days per year (days/year)	365

*1. When the range of the rotation angle is small (10 degrees or less), the rating life of the reduction gear may be reduced due to poor lubrication or the internal parts being subject to a concentrated load.

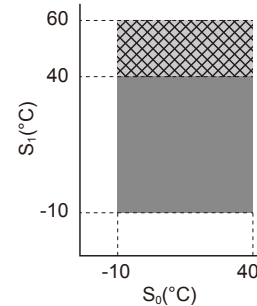
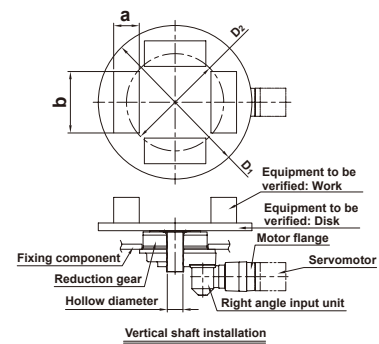
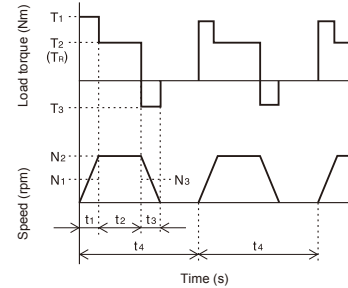
Step 2. Verify the operating environment.

Checkpoint	Standard value
S ₀ ————— Ambient temperature (°C)	-10 to +40
S ₁ ————— Reduction gear surface temperature (°C)	60 or less

Note: Refer to "Operating environment" on p. 120 for values other than those listed above.

Step 3-1. Examine the reduction gear load

Setting item	Calculation formula	Selection examples
(1) Calculate the inertia moment based the calculation formula on page 140.		
I_R Load inertia moment (kgm ²)	$I_{R1} = \frac{W_A \times \left(\frac{D_1}{2 \times 1,000}\right)^2}{2}$ $I_{R2} = \left[\frac{W_B}{12} \left\{ \left(\frac{a}{1,000}\right)^2 + \left(\frac{b}{1,000}\right)^2 \right\} + W_B \times \left(\frac{D_2}{2 \times 1,000}\right)^2 \right] \times n$ <p>I_{R1} = Disk inertia moment I_{R2} = Work inertia I_R = I_{R1} + I_{R2} n = Number of workpieces</p>	$I_{R1} = \frac{450 \times \left(\frac{1,200}{2 \times 1,000}\right)^2}{2} = 81 \text{ (kgm}^2\text{)}$ $I_{R2} = \left[\frac{100}{12} \left\{ \left(\frac{200}{1,000}\right)^2 + \left(\frac{400}{1,000}\right)^2 \right\} + 100 \times \left(\frac{800}{2 \times 1,000}\right)^2 \right] \times 4 = 70.7 \text{ (kgm}^2\text{)}$ $I_R = 81 + 70.7 = 151.7 \text{ (kgm}^2\text{)}$
(2) Examine the constant torque.		
T_R Constant torque (Nm)	$T_R = (W_A + W_B) \times 9.8 \times \frac{D_{in}}{2 \times 1,000} \times \mu$ <p>μ = Friction factor</p> <p>Note: Use 0.015 for this example as the load is applied to the bearing of the RD2 reduction gear.</p> <p>D_{in} = Rolling diameter: Use the pilot diameter which is almost equivalent to the rolling diameter in this selection calculation.</p> <p>* If the reduction gear model is not determined, select the following pilot diameter: Solid series = 284 (mm) – Maximum pilot diameter Hollow shaft series = 440 (mm) – Maximum pilot diameter</p>	$T_R = (450 + 100 \times 4) \times 9.8 \times \frac{440}{2 \times 1,000} \times 0.015 = 27.5 \text{ (Nm)}$



Step 3-2: Proceed to p. 125.

Model code selection examples (with vertical shaft installed)

With vertical rotational transfer

Step 1. Set the items required for selection.

Setting item	Setting
Presence of hollow in the output surface of the reduction gear	Without hollow (Solid series)
Reduction gear mounting direction	Horizontal shaft installation
Equipment weight to be examined	
W_C ————— Mounted work weight (kg)	490
Equipment configuration to be examined	
a ————— a dimension (mm)	500
b ————— b dimension (mm)	500
c ————— C dimension (mm)	320
Operation conditions	
θ ————— Rotation angle (°)*1	90
$[t_1+t_2+t_3]$ ————— Rotation time (sec)	1.5
$[t_4]$ ————— Cycle time (sec)	20
Q_1 ————— Equipment operation hours per day (hours/day)	24
Q_2 ————— Equipment operation days per year (days/year)	365

*1. When the range of the rotation angle is small (10 degrees or less), the rating life of the reduction gear may be reduced due to poor lubrication or the internal parts being subject to a concentrated load.

Step 2. Verify the operating environment.

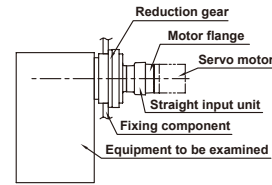
Checkpoint	Standard value
S_0 ————— Ambient temperature (°C)	-10 to +40
S_1 ————— Reduction gear surface temperature (°C)	60 or less

Note: Refer to "Operating environment" on p. 120 for values other than those listed above.

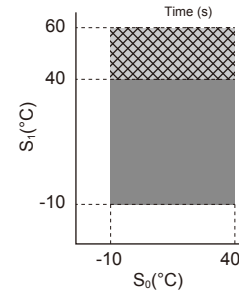
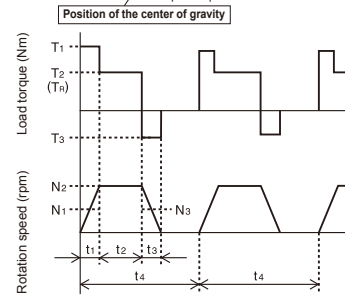
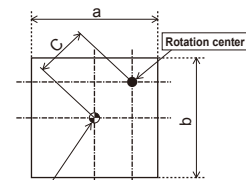
Step 3-1. Examine the reduction gear load

Setting item	Calculation formula	Selection examples
(1) Calculate the inertia moment based the calculation formula on page 140.		
I_R Load inertia moment (kgm ²)	$I_R = \frac{W_C}{12} \times \left\{ \left(\frac{a}{1,000} \right)^2 + \left(\frac{b}{1,000} \right)^2 \right\} + W_C \times \left(\frac{C}{1,000} \right)^2$	$I_R = \frac{490}{12} \times \left\{ \left(\frac{500}{1,000} \right)^2 + \left(\frac{500}{1,000} \right)^2 \right\} + 490 \times \left(\frac{320}{1,000} \right)^2 = 70.6 \text{ (kgm}^2\text{)}$
(2) Examine the constant torque.		
T_R Constant torque (Nm)	$T_R = W_C \times 9.8 \times \frac{C}{1,000}$	$T_R = 490 \times 9.8 \times \frac{320}{1,000} = 1,537 \text{ (Nm)}$

Step 3-2: Proceed to p. 125. (Refer to "With horizontal rotational transfer" for selection examples.)



Horizontal shaft installation



Model code selection examples

Step 3-2. Set items required for selection

Setting item	Calculation formula	Selection examples (With horizontal rotational transfer)
(3) Set the model code and series code.		
Setting of model code (input type) RDS ——— Straight input type RDR ——— Right angle input type RDP ——— Pulley input type Setting of series code Solid series or hollow shaft series		Set the model code (input type) and series code (presence of the hollow section on the reduction gear output surface) according to the usage and application. As an example, the RDR (right angle input type) and hollow shaft series are set.
(4) Set the acceleration/deceleration time, constant-speed operation time, and output speed.		
t ₁ ——— Acceleration time (sec)	<ul style="list-style-type: none"> The operation pattern does not need to be verified if it is already set. If the operation pattern has not been determined, use the following formula to calculate the reference operation pattern. $t_1 = t_3 = \text{Rotation time} [t_1 + t_2 + t_3] - \frac{\theta}{\left(\frac{N_2}{60} \times 360\right)}$ $t_2 = \text{Rotation time} [t_1 + t_2 + t_3] - (t_1 + t_3)$ <p>Note: 1. Assume that t₁ and t₃ are the same. Note: 2. N₂ = 15 rpm if the reduction gear output speed (N₂) is not known. Note: 3. If t₁ and t₃ is less than 0, increase the output speed or extend the rotation time.</p>	Examine the operation pattern using N ₂ = 15 rpm as the reduction gear output speed is unknown. $t_1 = t_3 = 2.5 - \frac{180}{\left(\frac{15}{60} \times 360\right)} = 0.5(\text{sec})$ $t_2 = 2.5 - (0.5 + 0.5) = 1.5(\text{sec})$ $\therefore t_1 = t_3 = 0.5(\text{sec})$ $t_2 = 1.5(\text{sec})$ $N_2 = 15(\text{rpm})$
t ₂ ——— Constant-speed operation time (sec)		
t ₃ ——— Deceleration time (sec)		
N ₂ ——— Constant speed (rpm)		
N ₁ ——— Average speed for startup (rpm)	$N_1 = \frac{N_2}{2}$	$N_1 = \frac{15}{2} = 7.5(\text{rpm})$
N ₃ ——— Average speed for stop (rpm)	$N_3 = \frac{N_2}{2}$	$N_3 = \frac{15}{2} = 7.5(\text{rpm})$
(5) Calculate the inertia torque for acceleration/deceleration.		
T _A ——— Inertia torque for acceleration (Nm)	$T_A = \left\{ \frac{I_R \times (N_2 - 0)}{t_1} \right\} \times \frac{2\pi}{60}$	$T_A = \left\{ \frac{151.7 \times (15 - 0)}{0.5} \right\} \times \frac{2\pi}{60}$ = 476.6 (Nm)
T _D ——— Inertia torque for deceleration (Nm)	$T_D = \left\{ \frac{I_R \times (0 - N_2)}{t_3} \right\} \times \frac{2\pi}{60}$	$T_D = \left\{ \frac{151.7 \times (0 - 15)}{0.5} \right\} \times \frac{2\pi}{60}$ = -476.6 (Nm)
(6) Calculate the load torque for acceleration/deceleration.		
T ₁ ——— Maximum torque for startup (Nm)	$T_1 = T_A + T_R $ $T_R : \text{Constant torque}$ With horizontal rotational transfer (page 123) With vertical rotational transfer (page 124)	$T_1 = 476.6 + 27.5 $ = 504.1(Nm)
T ₂ ——— Constant maximum torque (Nm)	$T_2 = T_R $	$T_2 = 27.5(\text{Nm})$
T ₃ ——— Maximum torque for stop (Nm)	$T_3 = T_D + T_R $ $T_R : \text{Constant torque}$ With horizontal rotational transfer (page 123) With vertical rotational transfer (page 124)	$T_3 = -476.6 + 27.5 $ = 449.1(Nm)
(7) -1 Calculate the average speed.		
N _m ——— Average speed (rpm)	$N_m = \frac{t_1 \times N_1 + t_2 \times N_2 + t_3 \times N_3}{t_1 + t_2 + t_3}$	$N_m = \frac{0.5 \times 7.5 + 1.5 \times 15 + 0.5 \times 7.5}{0.5 + 1.5 + 0.5}$ = 12 (rpm)
(7) -2 Calculate the average load torque.		
T _m ——— Average load torque (Nm)	$T_m = \frac{\frac{10}{3} \sqrt{t_1 \times N_1 \times t_1^{\frac{10}{3}} + t_2 \times N_2 \times t_2^{\frac{10}{3}} + t_3 \times N_3 \times t_3^{\frac{10}{3}}}}{t_1 \times N_1 + t_2 \times N_2 + t_3 \times N_3}$	$T_m = \frac{\frac{10}{3} \sqrt{0.5 \times 7.5 \times 504.1^{\frac{10}{3}} + 1.5 \times 15 \times 27.5^{\frac{10}{3}} + 0.5 \times 7.5 \times 449.1^{\frac{10}{3}}}}{0.5 \times 7.5 + 1.5 \times 15 + 0.5 \times 7.5}$ = 315.7(Nm)

Go to Page 126 if the reduction gear model is verified based on the required life.

Go to Page 128 if the service life is verified based on the reduction gear model.

Model code selection examples

Step 4. Select a reduction gear

Reduction gear selection method (1) Calculate the required torque based on the load conditions and required life and select a reduction gear.

Setting/verification item	Calculation formula	Selection examples (With horizontal rotational transfer)
(1) Calculate the rated torque for the reduction gear that satisfies the required life.		
L_{ex} Required life (year)	Based on the operation conditions	5 years
Q_{1cy} Number of cycles per day (times)	$Q_{1cy} = \frac{Q_1 \times 60 \times 60}{t_4}$	$Q_{1cy} = \frac{12 \times 60 \times 60}{20}$ = 2,160 (times)
Q_3 Operating hours of reduction gear per day (h)	$Q_3 = \frac{Q_{1cy} \times (t_1 + t_2 + t_3)}{60 \times 60}$	$Q_3 = \frac{2,160 \times (0.5 + 1.5 + 0.5)}{60 \times 60}$ = 1.5 (h)
Q_4 Operating hours of reduction gear per year (h)	$Q_4 = Q_3 \times Q_2$	$Q_4 = 1.5 \times 365$ = 548 (h)
L_{hour} Reduction gear service life (h)	$L_{hour} = Q_4 \times L_{ex}$	$L_{hour} = 548 \times 5$ = 2,740 (h)
$T_{0'}$ Reduction gear rated torque that satisfies the required life (Nm)	$T_{0'} = T_m \times \left(\frac{10}{3}\right) \sqrt{\frac{L_{hour} \times N_m}{K \times N_0}}$ K : Reduction gear rated life (h) N_0 : Reduction gear rated torque (Nm)	$T_{0'} = 315.7 \times \left(\frac{10}{3}\right) \sqrt{\frac{2,740 \times 12}{6,000 \times 15}}$ = 233.5 (Nm)
(2) Tentatively select a reduction gear model based on the calculated rated torque.		
Tentative selection of the reduction gear	Select a reduction gear for which the rated torque of the reduction gear [T_0] ¹ is equal to or greater than the rated torque of the reduction gear that satisfies the required life [$T_{0'}$]. *1 [T_0]: Straight input type: See the rating table on pages 14 and 15. Right angle input type: See the rating table on pages 42 and 43. Pulley input type: See the rating table on page 70.	RDR-027C that meets the following condition is tentatively selected: [T_0] 265 (Nm) \geq [$T_{0'}$] 233.5 (Nm)
(3) Verify the maximum torque for startup and stop.		
Verification of maximum torque for startup and stop	Check the following conditions: The allowable acceleration/deceleration torque [T_{s1}] ¹ is equal to or greater than the maximum starting torque [T_1] ² and maximum stopping torque [T_3] ² . If the tentatively selected reduction gear is outside of the specifications, change the reduction gear model. *1 [T_{s1}]: Straight input type: See the rating table on pages 14 and 15. Right angle input type: See the rating table on pages 42 and 43. Pulley input type: See the rating table on page 70. *2 [T_1] and [T_3]: Refer to page 125	[T_{s1}] 662 (Nm) \geq [T_1] 504.1 (Nm) [T_3] 449.1 (Nm) According to the above conditions, the tentatively selected model should be no problem.
(4) Verify the output speed.		
N_{m0} Average speed per cycle (rpm)	$N_{m0} = \frac{t_1 \times N_1 + t_2 \times N_2 + t_3 \times N_3}{t_4}$	$N_{m0} = \frac{0.5 \times 7.5 + 1.5 \times 15 + 0.5 \times 7.5}{20}$ = 1.5 (rpm)
Verification of output speed	Check the following condition: The allowable output speed (100% duty ratio) [N_{s0}] ¹ is equal to or greater than the average speed per cycle [N_{m0}]. If the tentatively selected reduction gear is outside of the specifications, change the reduction gear model. Contact us regarding use of the model at a speed outside the allowable output speed (40% duty ratio) [N_{s1}] ¹ . Note: The value of [N_{s0}] is the speed at which the case temperature is balanced at 60°C for 30 minutes. *1 [N_{s0}]: Straight input type: See the rating table on pages 14 and 15. Right angle input type: See the rating table on pages 42 and 43. Pulley input type: See the rating table on page 70.	[N_{s0}] 15 (rpm) \geq [N_{m0}] 1.5 (rpm) According to the above condition, the tentatively selected model should be no problem.

Reduction gear selection method (1) Calculate the required torque based on the load conditions and required life and select a reduction gear.

Setting/verification item	Calculation formula	Selection examples (With horizontal rotational transfer)																								
(5) Verify the shock torque at the time of an emergency stop.																										
P_{em} — Expected number of emergency stop times (times)	Based on the operation conditions.	For example, an emergency stop occurs once a month. [P_{em}] = 1 × 12 × required life (year) [L_{ex}] = 12 × 5 = 60 (times)																								
T_{em} — Shock torque due to an emergency stop (Nm)		For example, [T_{em}] = 500 (Nm)																								
N_{em} — Speed at the time of an emergency stop (rpm)		For example, [N_{em}] = 15 (rpm)																								
t_{em} — Deceleration time at the time of an emergency stop (s)		For example, [t_{em}] = 0.05 (s)																								
Z_4 — Number of pins for reduction gear	<table border="1"> <thead> <tr> <th>Model</th> <th>Number of pins Z4</th> <th>Model</th> <th>Number of pins Z4</th> </tr> </thead> <tbody> <tr> <td>RD□-6E</td> <td>30</td> <td>RD□-10C</td> <td></td> </tr> <tr> <td>RD□-20E</td> <td rowspan="6">40</td> <td>RD□-27C</td> <td>52</td> </tr> <tr> <td>RD□-40E</td> <td>RD□-50C</td> <td></td> </tr> <tr> <td>RD□-80E</td> <td>RD□-100C</td> <td></td> </tr> <tr> <td>RD□-160E</td> <td>RD□-200C</td> <td>56</td> </tr> <tr> <td>RD□-320E</td> <td>RD□-320C</td> <td>60</td> </tr> </tbody> </table>	Model	Number of pins Z4	Model	Number of pins Z4	RD□-6E	30	RD□-10C		RD□-20E	40	RD□-27C	52	RD□-40E	RD□-50C		RD□-80E	RD□-100C		RD□-160E	RD□-200C	56	RD□-320E	RD□-320C	60	Number of pins for RDR-27C: 52
Model	Number of pins Z4	Model	Number of pins Z4																							
RD□-6E	30	RD□-10C																								
RD□-20E	40	RD□-27C	52																							
RD□-40E		RD□-50C																								
RD□-80E		RD□-100C																								
RD□-160E		RD□-200C	56																							
RD□-320E		RD□-320C	60																							
C_{em} — Allowable number of shock torque application times		$C_{em} = \frac{775 \times \left(\frac{T_{S2}}{T_{em}}\right)^{\frac{10}{3}}}{Z_4 \times N_{em} \times t_{em} \times 60}$ <p>Note [T_{S2}]: Momentary maximum allowable torque Straight input type: See the rating table on pages 14 and 15. Right angle input type: See the rating table on pages 42 and 43. Pulley input type: See the rating table on page 70.</p>	$C_{em} = \frac{775 \times \left(\frac{1,323}{500}\right)^{\frac{10}{3}}}{52 \times \frac{15}{60} \times 0.05} = 30,550 \text{ (times)}$																							
Verification of shock torque due to an emergency stop	Check the following condition: The allowable shock torque application count [C_{em}] is equal to or greater than the expected emergency stop count [P_{em}] If the tentatively selected reduction gear is outside of the specifications, change the reduction gear model.	[C_{em}] 30,550 ≥ [P_{em}] 60 According to the above condition, the tentatively selected model should be no problem.																								
(6) Verify the thrust load and moment load.																										
W_1 — R radial load (N)		0 (N)																								
l — Distance to the point of radial load application (mm)		0 (mm)																								
W_2 — Thrust load (N)		In this example, $W_2 = W_A + W_B = (450 + 100) \times 9.8 = 8,330 \text{ (N)}$ Note W_A, W_B : Refer to page 123.																								
l_2 — Distance to the point of thrust load application (mm)		0 (mm) (As the workpiece center is located on the rotation axis)																								
M — Moment load (Nm)		RDR-27C As dimension $a = 38 \text{ (mm)}$ and dimension $b = 150 \text{ (mm)}$: $M = \frac{0 \times (0 + 150 - 38) + 8,330 \times 0}{1,000} = 0 \text{ (Nm)}$																								
Verify the thrust load and moment load	Check that the thrust load and moment load are within the range in the allowable moment diagram on page 131. When radial load W_1 is applied within dimension b , use the reduction gear within the allowable radial load. Wr: Allowable radial load Straight input type: See the rating table on pages 14 and 15. Right angle input type: See the rating table on pages 42 and 43. Pulley input type: See the rating table on page 70. If the tentatively selected reduction gear is outside of the specifications, change the reduction gear model.	For this example, Thrust load [W_2] = 8,330 (N) Moment load [M] = 0 (Nm) As the above values are within the range in the allowable moment diagram, the tentatively selected model should be no problem.																								
(7) Verify the input unit specifications (page 130). (Verification is not required when the input type is right angle or straight.)																										
Select the reduction gear model that satisfies all the conditions of the above verification items.																										
The actual reduction ratio is determined based on the motor speed, input torque, and inertia moment. Check with the motor manufacturer.		Based on the above verification result, RDR-27C is selected.																								
Impose a limitation on the motor torque value according to the momentary maximum allowable torque of the selected reduction gear (see page 130).																										

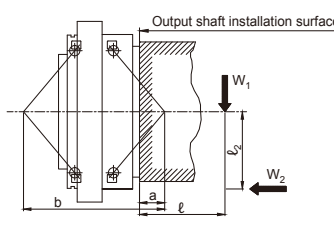
Straight input type
 Right angle input type
 Pulley input type
 Motor flange / bushing
 Option: Base flange
 Technical Information

Model code selection examples

Reduction gear selection method (2): Tentatively select a reduction gear model and evaluate the service life.

Setting/verification item	Calculation formula	Selection examples (With horizontal rotational transfer)																					
(1) Tentatively select a desired reduction gear model.																							
Tentative selection of a reduction gear	Tentatively select a desired reduction gear model.	For example, tentatively select RDR-027C.																					
(2) Verify the maximum torque for startup and stop.																							
Verification of maximum torque for startup and stop	<p>Check the following conditions: The allowable acceleration/deceleration torque $[T_{s1}]^1$ is equal to or greater than the maximum starting torque $[T_1]^2$ and maximum stopping torque $[T_3]^2$ If the tentatively selected reduction gear is outside of the specifications, change the reduction gear model.</p> <p>*1 $[T_{s1}]$: Straight input type: See the rating table on pages 14 and 15. Right angle input type: See the rating table on pages 42 and 43. Pulley input type: See the rating table on page 70. *2 $[T_1]$ and $[T_3]$: Refer to page 125</p>	$[T_{s1}] 662 \text{ (Nm)} \geq [T_1] 497.84 \text{ (Nm)}$ $[T_3] 455.36 \text{ (Nm)}$ According to the above conditions, the tentatively selected model should be no problem.																					
(3) Verify the output speed.																							
N_{m0} Average speed per cycle (rpm)	$N_{m0} = \frac{t_1 \times N_1 + t_2 \times N_2 + t_3 \times N_3}{t_4}$	$N_{m0} = \frac{0.5 \times 7.5 + 1.5 \times 15 + 0.5 \times 7.5}{20}$ $= 1.5 \text{ (rpm)}$																					
Verification of output speed	<p>Check the following condition: The allowable output speed (100% duty ratio) $[N_{s0}]^1$ is equal to or greater than the average speed per cycle $[N_{m0}]$ If the tentatively selected reduction gear is outside of the specifications, change the reduction gear model. Contact us regarding use of the model at a speed outside the allowable output speed (40% duty ratio) $[N_{s1}]^1$.</p> <p>Note: The value of $[N_{s0}]$ is the speed at which the case temperature is balanced at 60°C for 30 minutes. *1 $[N_{s0}]$: Straight input type: See the rating table on pages 14 and 15. Right angle input type: See the rating table on pages 42 and 43. Pulley input type: See the rating table on page 70.</p>	$[N_{s0}] 15 \text{ (rpm)} \geq [N_{m0}] 1.5 \text{ (rpm)}$ According to the above condition, the tentatively selected model should be no problem.																					
(4) Verify the shock torque at the time of an emergency stop.																							
P_{em} Expected number of emergency stop times (times)	Based on the operation conditions.	For example, an emergency stop occurs once a month. $[P_{em}] = 1 \times 12 \times \text{required life (year)} [L_{ex}]$ $= 12 \times 5 = 60 \text{ (times)}$																					
T_{em} Shock torque due to an emergency stop (Nm)		For example, $[T_{em}] = 500 \text{ (Nm)}$																					
N_{em} Speed at the time of an emergency stop (rpm)		For example, $[N_{em}] = 15 \text{ (rpm)}$																					
t_{em} Deceleration time at the time of an emergency stop (s)		For example, $[t_{em}] = 0.05 \text{ (s)}$																					
Z_4 Number of pins for reduction gear		<table border="1"> <thead> <tr> <th>Model</th> <th>Number of pins Z4</th> <th>Model</th> <th>Number of pins Z4</th> </tr> </thead> <tbody> <tr> <td>RD□-6E</td> <td>30</td> <td>RD□-10C</td> <td rowspan="2">52</td> </tr> <tr> <td>RD□-20E</td> <td rowspan="6">40</td> <td>RD□-27C</td> </tr> <tr> <td>RD□-40E</td> <td>RD□-50C</td> <td rowspan="2">56</td> </tr> <tr> <td>RD□-80E</td> <td>RD□-100C</td> </tr> <tr> <td>RD□-160E</td> <td>RD□-200C</td> <td rowspan="2">60</td> </tr> <tr> <td>RD□-320E</td> <td>RD□-320C</td> </tr> </tbody> </table>	Model	Number of pins Z4	Model	Number of pins Z4	RD□-6E	30	RD□-10C	52	RD□-20E	40	RD□-27C	RD□-40E	RD□-50C	56	RD□-80E	RD□-100C	RD□-160E	RD□-200C	60	RD□-320E	RD□-320C
Model	Number of pins Z4	Model	Number of pins Z4																				
RD□-6E	30	RD□-10C	52																				
RD□-20E	40	RD□-27C																					
RD□-40E		RD□-50C	56																				
RD□-80E		RD□-100C																					
RD□-160E		RD□-200C	60																				
RD□-320E		RD□-320C																					
C_{em} Allowable number of shock torque application times		$C_{em} = \frac{775 \times \left(\frac{[T_{s2}]}{[T_{em}]} \right)^{\frac{10}{3}}}{Z_4 \times \frac{[N_{em}]}{60} \times [t_{em}]}$ <p>Note $[T_{s2}]$: Momentary maximum allowable torque Straight input type: See the rating table on pages 14 and 15. Right angle input type: See the rating table on pages 42 and 43. Pulley input type: See the rating table on page 70.</p>	$C_{em} = \frac{775 \times \left(\frac{1,323}{500} \right)^{\frac{10}{3}}}{52 \times \frac{15}{60} \times 0.05} = 30,550 \text{ (times)}$																				
Verification of shock torque due to an emergency stop	<p>Check the following condition: The allowable shock torque application count $[C_{em}]$ is equal to or greater than the expected emergency stop count $[P_{em}]$ If the tentatively selected reduction gear is outside of the specifications, change the reduction gear model.</p>	$[C_{em}] 30,550 \geq [P_{em}] 60$ According to the above condition, the tentatively selected model should be no problem.																					

Reduction gear selection method (2): Tentatively select a reduction gear model and evaluate the service life.

Setting/verification item	Calculation formula	Selection examples (With horizontal rotational transfer)
(5) Verify the thrust load and moment load.		
W_1 ——— Radial load (N) ℓ ——— Distance to the point of radial load application (mm)	 $M = \frac{W_1 \times (\ell + b - a) + W_2 \times \ell_2}{1,000}$ a, b: Refer to the calculation of the tilt angle on page 137.	0 (N) 0 (mm)
W_2 ——— Thrust load (N)		In this example, $W_2 = W_A + W_B = (450 + 100 \times 4) \times 9.8$ $= 8,330 \text{ (N)}$ Note W_A, W_B : Refer to page 123.
ℓ_2 ——— Distance to the point of thrust load application (mm)		0 (mm) (As the workpiece center is located on the rotation axis)
M ——— Moment load (Nm)		RDR-27C As dimension $a = 38 \text{ (mm)}$ and dimension $b = 150 \text{ (mm)}$: $M = \frac{0 \times (0 + 150 - 38) + 8,330 \times 0}{1,000}$ $= 0 \text{ (Nm)}$
Verify the thrust load and moment load		Check that the thrust load and moment load are within the range in the allowable moment diagram on page 131. When radial load W_1 is applied within dimension b , use the reduction gear within the allowable radial load. Wr: Allowable radial load Straight input type: See the rating table on pages 14 and 15. Right angle input type: See the rating table on pages 42 and 43. Pulley input type: See the rating table on page 70. If the tentatively selected reduction gear is outside of the specifications, change the reduction gear model.
(6) Verify the reduction gear service life.		
L_h ——— Life (h)	$L_h = 6,000 \times \frac{N_0}{N_m} \times \left(\frac{T_0}{T_m} \right)^{\frac{10}{3}}$	$L_h = 6,000 \times \frac{15}{12} \times \left(\frac{265}{315.7} \right)^{\frac{10}{3}}$ $= 4,184.4 \text{ (h)}$
Q_{1cy} ——— Number of cycles per day (times)	$Q_{1cy} = \frac{Q_1 \times 60 \times 60}{t_4}$	$Q_{1cy} = \frac{12 \times 60 \times 60}{20} = 2,160 \text{ (times)}$
Q_3 ——— Operating hours per day (h)	$Q_3 = \frac{Q_1 \times (t_1 + t_2 + t_3)}{60 \times 60}$	$Q_3 = \frac{2,160 \times (0.5 + 1.5 + 0.5)}{60 \times 60} = 1.5 \text{ (h)}$
Q_4 ——— Operating hours per year (h)	$Q_4 = Q_3 \times Q_2$	$Q_4 = 1.5 \times 365 = 548 \text{ (h)}$
L_{year} ——— Reduction gear service life (year)	$L_{year} = \frac{L_h}{Q_4}$	$L_{year} = \frac{4,180}{548} = 7.6 \text{ (year)}$
L_{ex} ——— Required life (year)	Based on the operation conditions	5 years
Verification of the service life	Check the following condition: $[L_{ex}]$ is equal to or less than $[L_{year}]$ If the tentatively selected reduction gear is outside of the specifications, change the reduction gear model.	$[L_{ex}] 5 \text{ (year)} \leq [L_{year}] 7.6 \text{ (year)}$ According to the above condition, the tentatively selected model should be no problem.
(7) Verify the input unit specifications (page 130). (Verification is not required when the input type is right angle or straight.)		

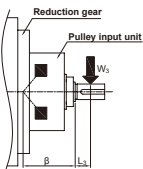


Select the reduction gear model that satisfies all the conditions of the above verification items. The actual reduction ratio is determined based on the motor speed, input torque, and inertia moment. Check with the motor manufacturer.	Based on the above verification result, RDR-27C is selected.
Impose a limitation on the motor torque value according to the momentary maximum allowable torque of the selected reduction gear (see page 130).	

Model code selection examples

Step 5. Verify the input unit specifications (calculation method of pulley input unit specifications)

* Examine only when selecting a pulley input unit.

Setting item	Calculation formula	Selection examples
Calculate the moment load for the input shaft.		
M_1 — Input shaft load moment to be applied during normal operation (Nm)	 $M_1 = W_3 \times \left(\frac{\beta + L_3}{1,000} \right)$ <p>β = Refer to the rating table on Page 70. W_3 = Radial load (N) applied to the input shaft L_3 = Distance to the point of radial load application (mm)</p>	When RDP-027C-100 is selected $W_3 = 150$ (N) $\beta = 58$ (mm) $L_3 = 10$ (mm) $M_1 = 150 \times \left(\frac{58 + 10}{1,000} \right) = 10.2$ (Nm)
M_2 — Input shaft load moment to be applied at startup and stop (Nm)	$M_2 = \frac{\left(\frac{\text{Maximum output torque for startup (Nm)}}{\text{Actual reduction ratio} \times \frac{\text{Efficiency (\%)}}{100}} \right)}{\frac{\text{Pulley pitch diameter (mm)}}{2 \times 10^3}} \times \left(\frac{\beta + L_3}{1,000} \right)$ <p>β = Refer to the rating table on Page 70.</p>	When the maximum torque for startup is 600 Nm at the output stage and the pulley pitch diameter is 50 mm $M_2 = \frac{\left(\frac{600}{99.82 \times 0.75} \right)}{\left(\frac{50}{2 \times 1,000} \right)} \times \left(\frac{58 + 10}{1,000} \right)$ $= 21.8$ (Nm)
Select a pulley input unit based on the moment load of the input shaft.		
Determination of the input shaft	$M_{Oin} \geq M_1$ $M_{Sin} \geq M_2$ * M_{Oin}, M_{Sin} = Refer to the rating table on Page 70. Select an input unit that meets the above conditions.	If RDP-027C-100 is selected, $M_{Oin} = 38$ (Nm) and $M_{Sin} = 40$ (Nm) and there is no problem with the pulley input shaft.

Limitation on the motor torque

A limitation is imposed on the motor torque value so that the shock torque applied to the reduction gear does not exceed the momentary maximum allowable torque.

Setting/verification item	Calculation formula	Selection examples (With horizontal rotational transfer)
T_{M1} — Motor momentary maximum torque (Nm)	Determine based on the motor specifications.	For example, $T_{M1} = 10$ (Nm)
T_{M1OUT} — Maximum torque generated at the output shaft for the reduction gear (Nm) (When an external shock is applied at the time of an emergency stop or motor stop)	$T_{M1out} = T_{M1} \times R \times \frac{100}{\eta}$ <p>R: Speed ratio η: Startup efficiency (%) Straight input type: See the rating table on pages 14 and 15. Right angle input type: See the rating table on pages 42 and 43. Pulley input type: See the rating table on page 70.</p>	For example, calculate the maximum torque generated at the output shaft for the reduction gear based on the specifications when RDS-027C-233.45 was selected. $T_{M1out} = 10 \times 233.45 \times \frac{100}{70}$ $= 3,335$ (Nm)
T_{M2OUT} — Maximum torque generated at the output shaft for the reduction gear (Nm) (When a shock is applied to the output shaft due to hitting by an obstacle)	$T_{M2out} = T_{M1} \times R \times \frac{\eta}{100}$	$T_{M2out} = 10 \times 233.45 \times \frac{70}{100}$ $= 1,634$ (Nm)
Limitation on motor torque value	Check the following condition: The momentary maximum allowable torque $[T_{S2}]^{*1}$ is equal to or greater than the maximum torque generated at the output shaft for the reduction gear $[T_{M1OUT}]$ and $[T_{M2OUT}]$ If the above condition is not satisfied, a limitation is imposed on the maximum torque value of the motor. *1 $[T_{S2}]$: Straight input type: See the rating table on pages 14 and 15. Right angle input type: See the rating table on pages 42 and 43. Pulley input type: See the rating table on page 70.	$[T_{S2}] 1,323$ (Nm) $\leq [T_{M1OUT}] 3,335$ (Nm) and $[T_{M2OUT}] 1,634$ (Nm) According to the above condition, the torque limit is set for the motor.

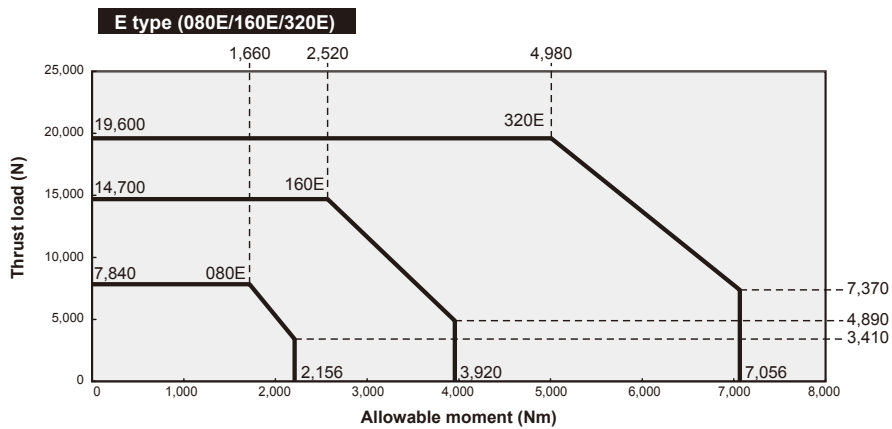
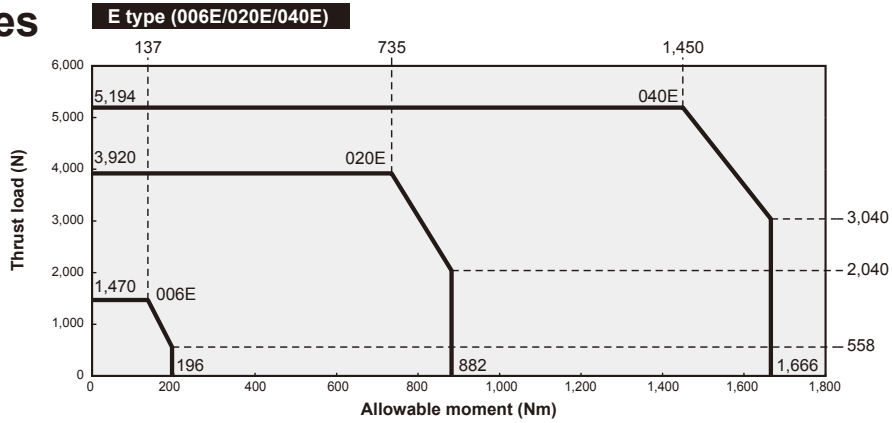
Select a motor flange and bushing.

When the reduction gear selection is completed, select a motor flange and bushing. (Refer to pages 83 to 85.)

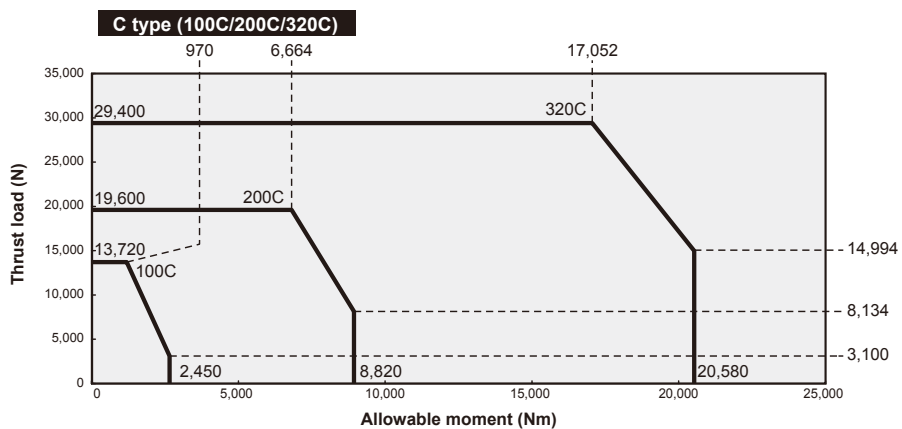
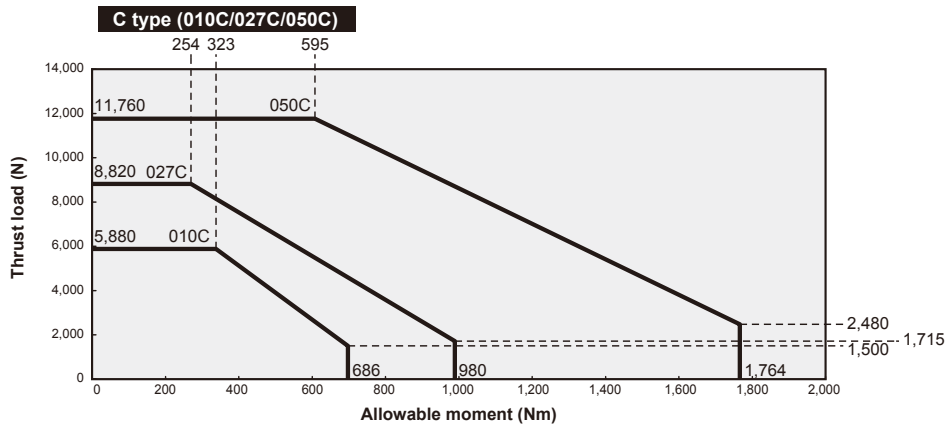
URL : <https://precision.nabtesco.com/>

Allowable moment diagram

Solid series RD□-E



Hollow shaft series RD□-C



Straight input type

Right angle input type

Pulley input type

Motor flange / bushing

Option: Base flange

Technical Information

No-load running torque (straight input type)

Use the following formula to calculate the no-load running torque converted to the motor shaft.

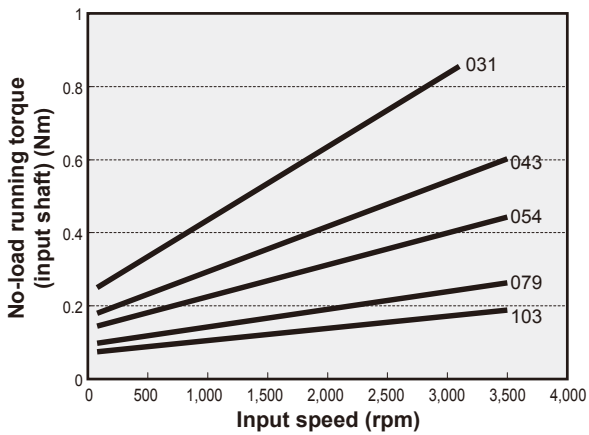
$$\text{No-load running torque converted to the motor shaft (Nm)} = \frac{\text{Torque converted into the output shaft (Nm)}}{R} \quad (R: \text{speed ratio value})$$

[Measurement conditions]
Case temperature: 30 (°C)
Lubricant: Grease (RVGREASE™ LB00)

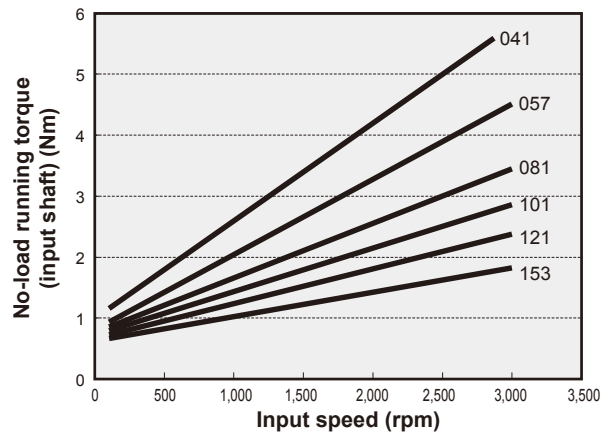
Note: The values in the following graphs are for the reduction gear alone, and indicate the average values after the break-in period.

Solid series

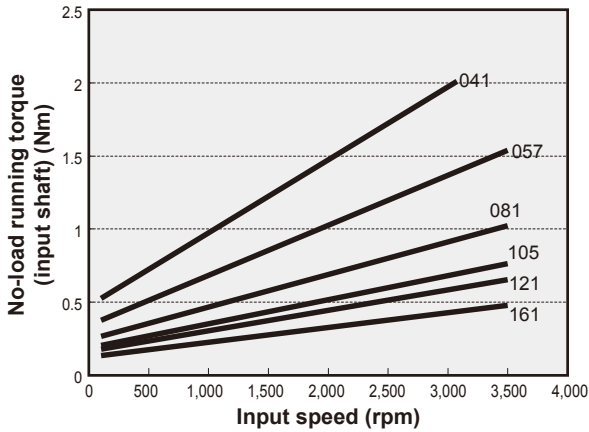
RDS-006E



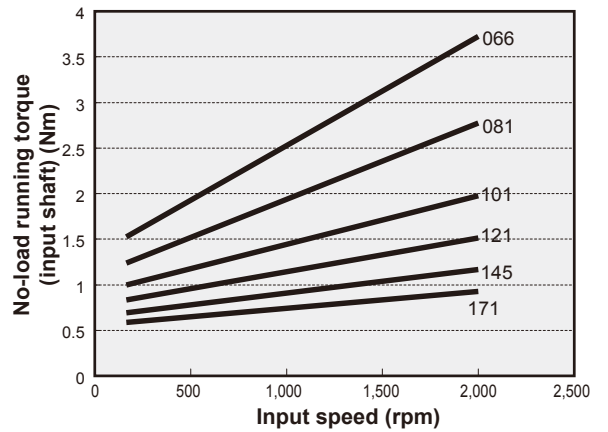
RDS-080E



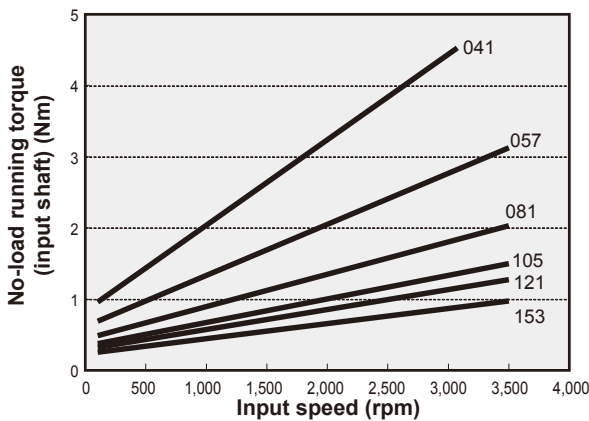
RDS-020E



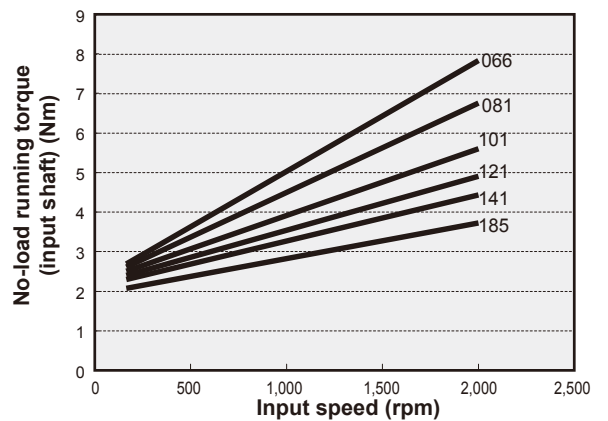
RDS-160E



RDS-040E

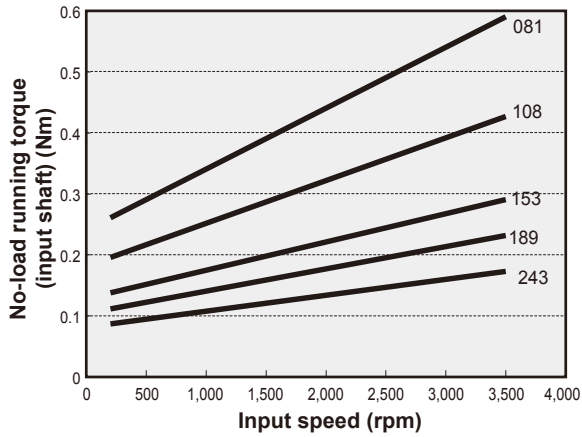


RDS-320E

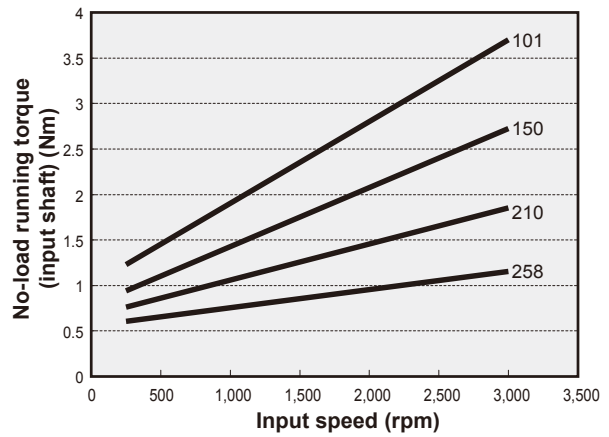


Hollow shaft series

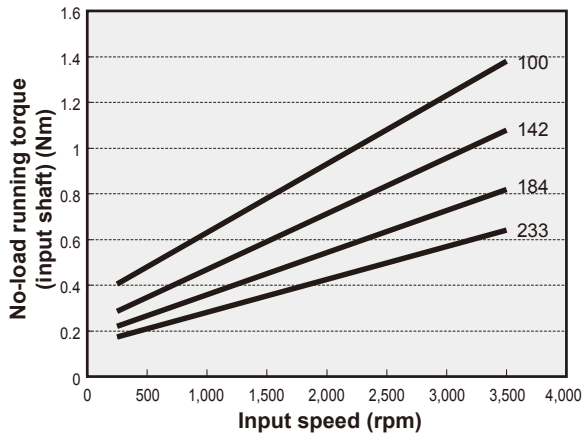
RDS-010C



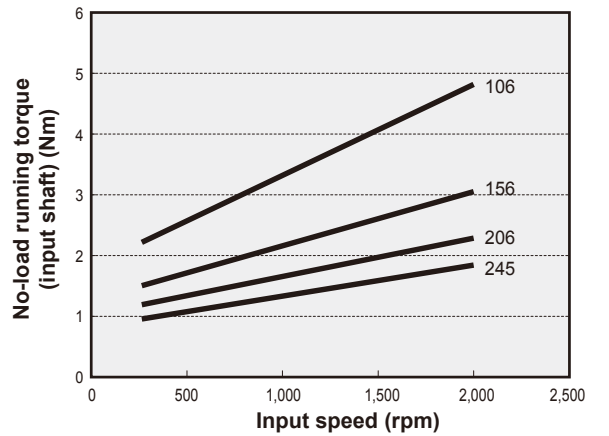
RDS-100C



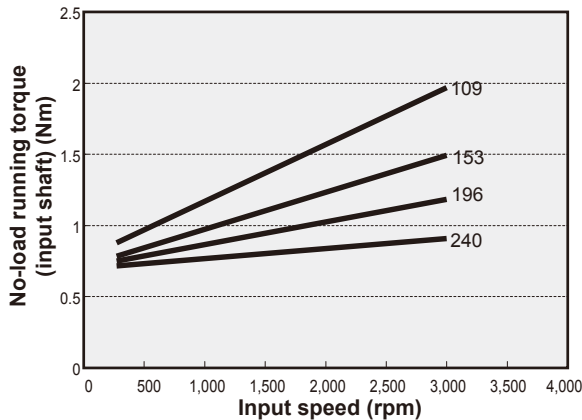
RDS-027C



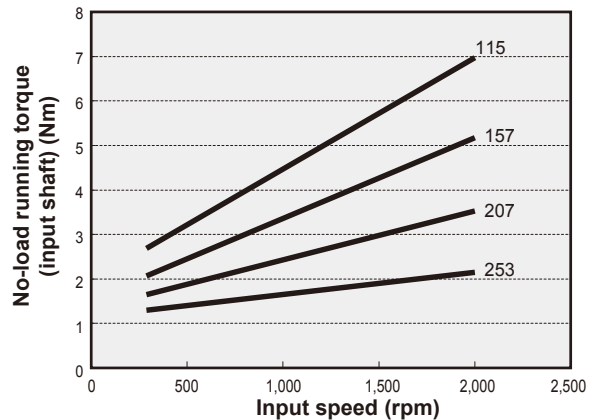
RDS-200C



RDS-050C



RDS-320C



Straight input type

Right angle input type

Pulley input type

Motor flange / bushing

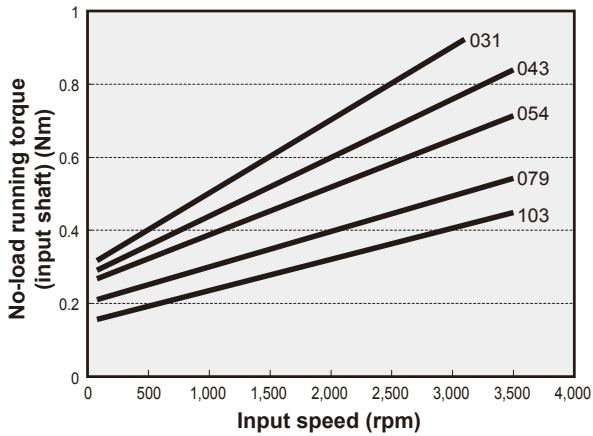
Option: Base flange

Technical Information

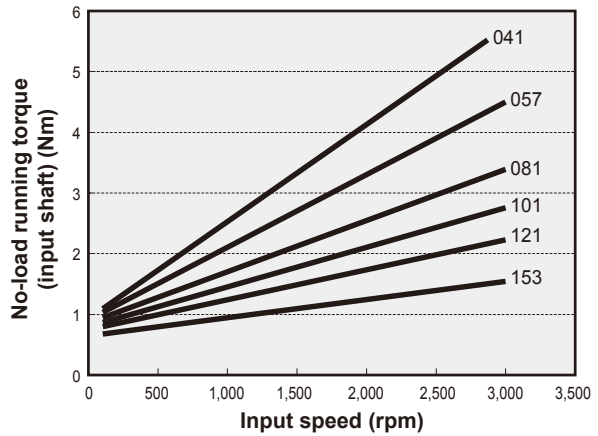
No-load running torque (right angle input type)

Solid series

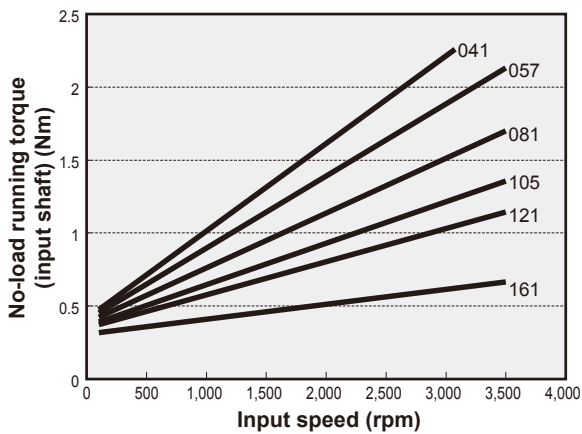
RDR-006E



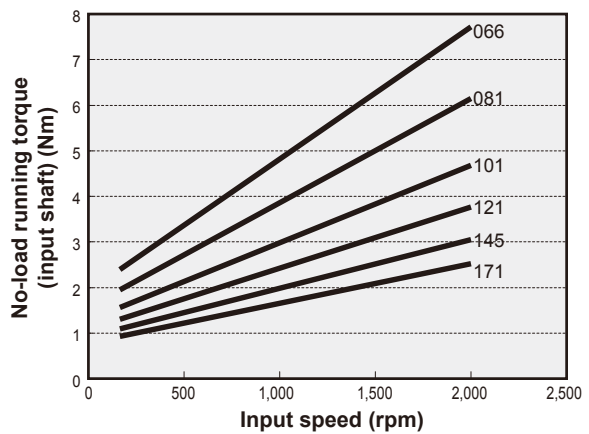
RDR-080E



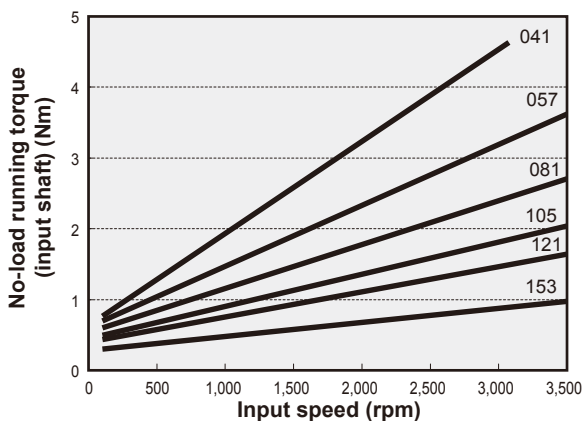
RDR-020E



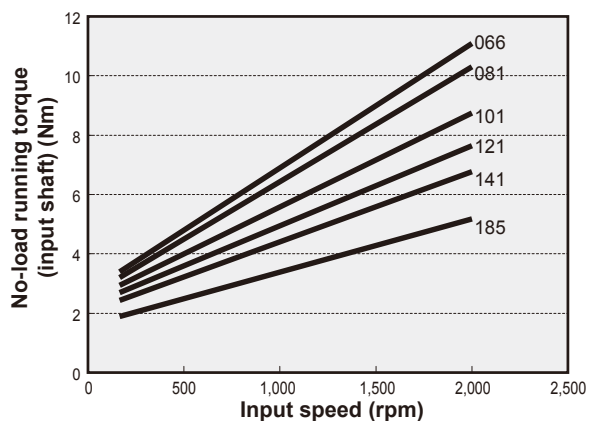
RDR-160E



RDR-040E

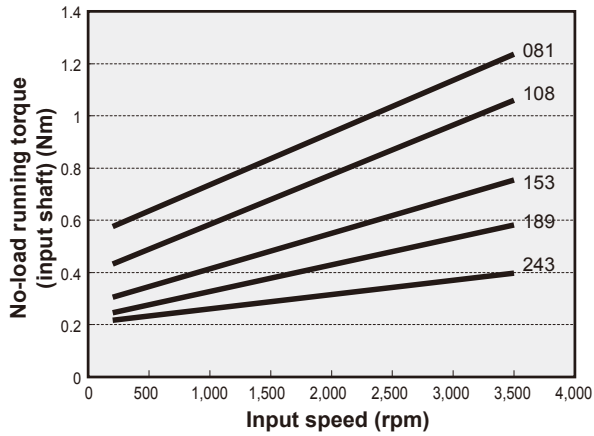


RDR-320E

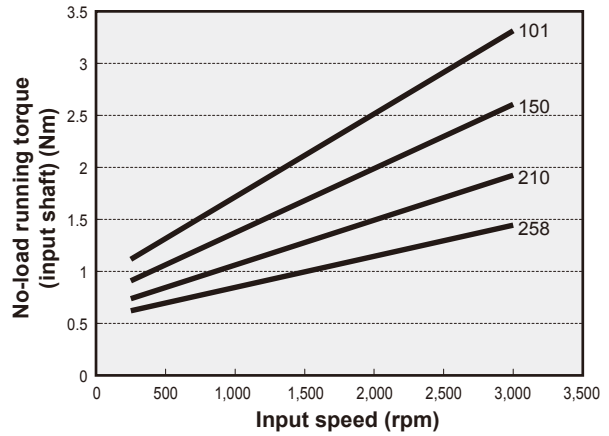


Hollow shaft series

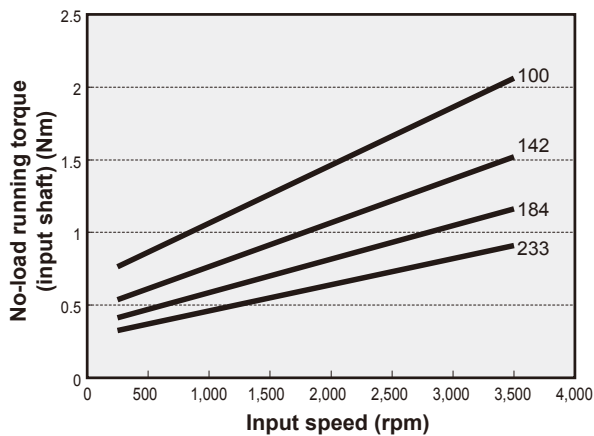
RDR-010C



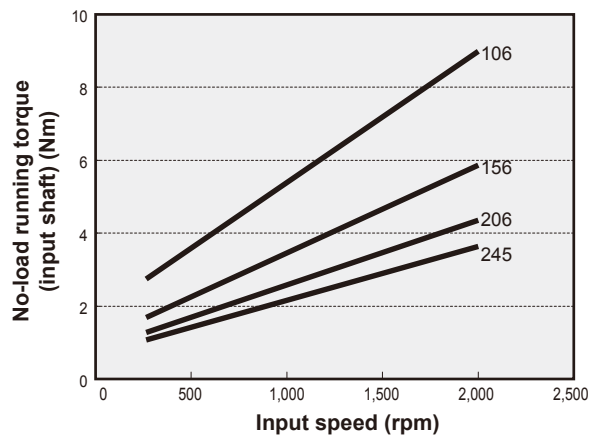
RDR-100C



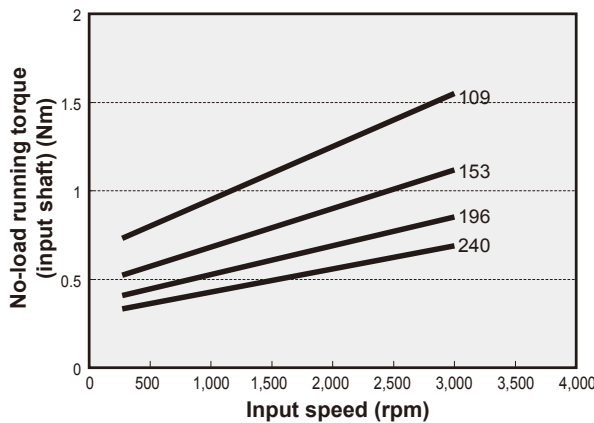
RDR-027C



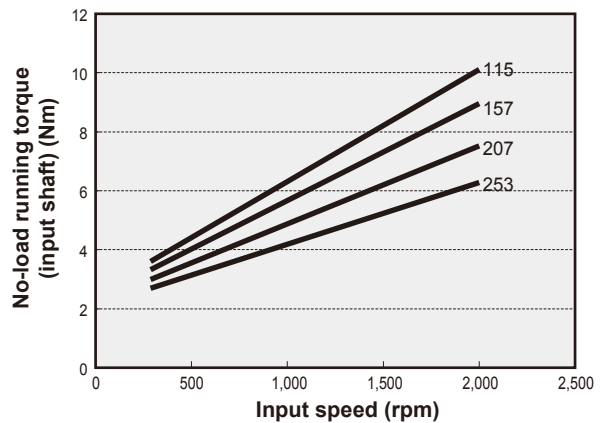
RDR-200C



RDR-050C



RDR-320C



Straight input type

Right angle input type

Pulley input type

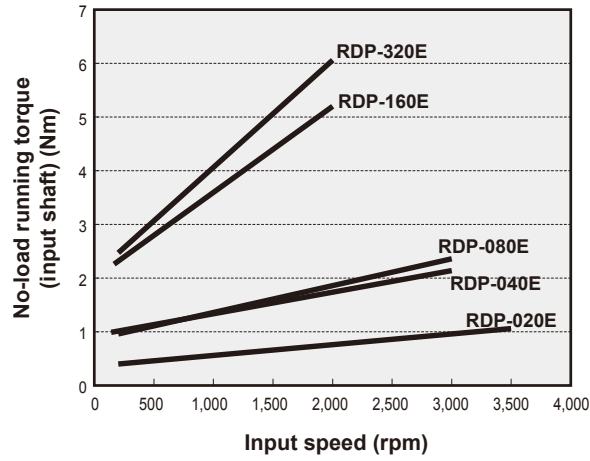
Motor flange / bushing

Option: Base flange

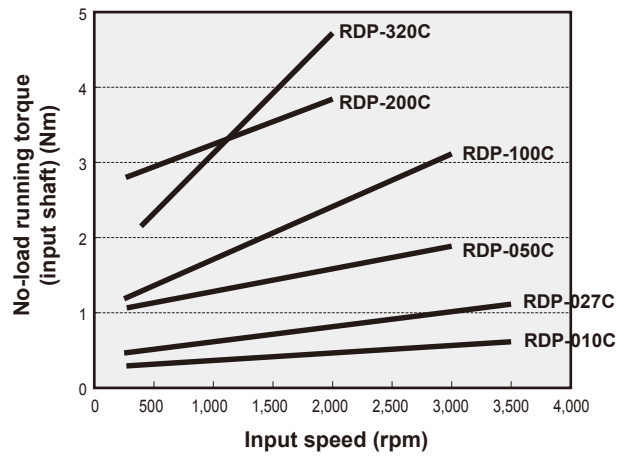
Technical Information

No-load running torque (pulley input type)

Solid series



Hollow shaft series



Calculation of tilt angle and torsion angle

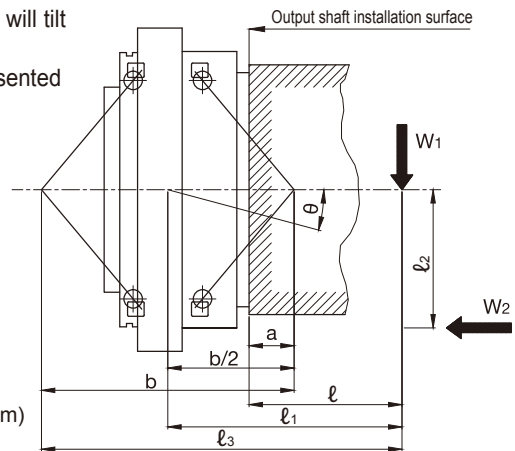
Calculation of tilt angle

When a load moment occurs with an external load applied, the output shaft will tilt in proportion to the load moment (If ℓ_3 is larger than b)

The moment rigidity indicates the rigidity of the main bearing, and it is represented by the load moment value required for tilting the main bearing by 1 arc.min.

$$\theta = \frac{W_1 \ell_1 + W_2 \ell_2}{M_1 \times 10^3}$$

θ : Tilt angle of the output shaft (arc.min.)
 M_1 : Moment rigidity (Nm/arc.min.)
 W_1, W_2 : Load (N)
 ℓ_1, ℓ_2 : Distance to the point of load application (mm)
 ℓ_1 : $\ell + \frac{b}{2} - a$
 ℓ : Distance from the output shaft installation surface to the point of load application (mm)



Model code	Moment rigidity Reference Value (Nm/arc.min.)	Dimensions (mm)	
		a	b
RD□-006E	117	12.5	90.3
RD□-020E	372	20.1	113.3
RD□-040E	931	29.9	144.5
RD□-080E	1,176	27.9	164.0
RD□-160E	2,940	42.7	210.0
RD□-320E	4,900	48.4	251.4

Model code	Moment rigidity Reference Value (Nm/arc.min.)	Dimensions (mm)	
		a	b
RD□-010C	421	28.0	119.2
RD□-027C	1,068	38.0	150.0
RD□-050C	1,960	50.5	187.3
RD□-100C	2,813	58.7	207.6
RD□-200C	9,800	76.0	280.4
RD□-320C	12,740	114.5	360.4

Calculation of torsion angle

Calculate the torsion angle when the torque is applied in a single direction, using an example of RD□-160E.

- When the load torque is 30 Nm.....Torsion angle (ST_1)
 - When the load torque is 3% or less of the rated torque

$$ST_1 = \frac{30}{47} \times \frac{1 \text{ (arc.min.)}}{2} = 0.32 \text{ arc.min. or less}$$

- When the load torque is 1,300 Nm Torsion angle (ST_2)
 - When the load torque is more than 3% of the rated torque

$$ST_2 = \frac{1}{2} + \frac{1,300 - 47.0}{392} = 3.70 \text{ arc.min.}$$

Note: 1. The torsion angles that are calculated above are for a single reduction gear.

Model code	Torsional rigidity Reference Value Nm/arc.min.	Lost motion		Backlash arc.min.
		Lost motion arc.min.	Measured torque Nm	
RD□-006E	20	For RDS 1.5 For RDR 2.0	± 1.76	For RDS 1.5 For RDR 2.0
RD□-020E	49		± 5.00	
RD□-040E	108	For RDS or RDP 1.0	± 12.3	For RDS or RDP 1.0
RD□-080E	196	For RDR 1.5	± 23.5	For RDR 1.5
RD□-160E	392		± 47.0	
RD□-320E	980		± 94.0	

Model code	Torsional rigidity Reference Value Nm/arc.min.	Lost motion		Backlash arc.min.
		Lost motion arc.min.	Measured torque Nm	
RD□-010C	47		± 2.94	
RD□-027C	147	For RDS or RDP 1.0	± 7.94	For RDS or RDP 1.0
RD□-050C	255	For RDR 1.5	± 14.7	For RDR 1.5
RD□-100C	510		± 29.4	
RD□-200C	980		± 58.8	
RD□-320C	1,960		± 94.1	

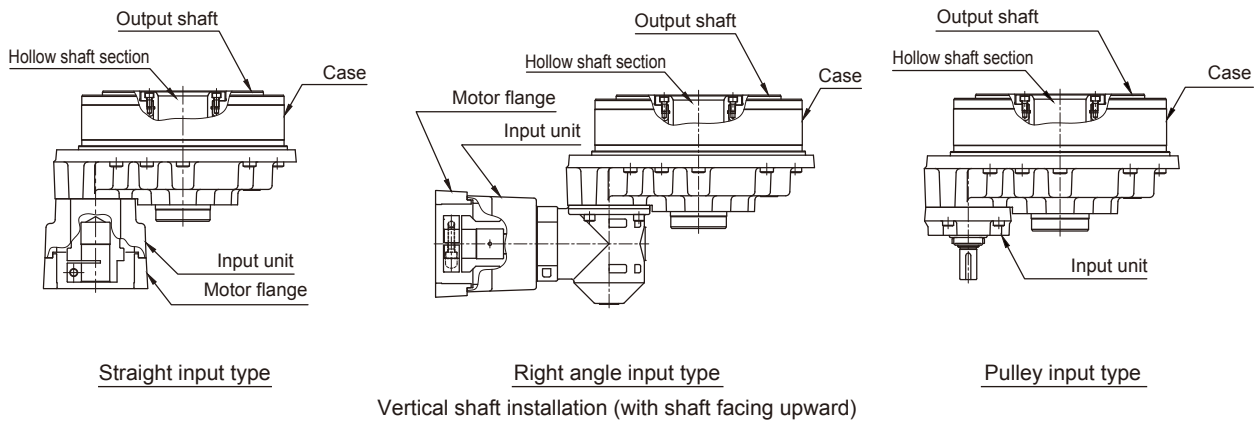
Engineering notes-1

Installation direction of RD2 Series

If you use the hollow shaft types installed vertically with the shaft facing upward (as shown in the figures below), contact our customer representative in advance.

Note1: For the solid type, the installation direction shown in the figures below can be used.

- 2: If you are using the previous RD series and wish to use the RD2 series with the same conditions, the installation direction shown in the figures below can be used.
- 3: If the reduction gear is used under operating conditions where the surface temperature of the reduction gear exceeds 40°C, the installation direction shown in the figures below can be used.



Lubrication

- The standard lubricant for RD2 Series is grease.
RD2 Series are pre-lubricated with our recommended RVGREASE™ LB00 grease when shipped.
When this product is operated while it is filled with an appropriate amount of lubricant, the standard lubricant replacement time due to lubricant degradation is 20,000 hours. However, if RD2 Series are operated under unfavorable conditions (that may deteriorate the lubricant more quickly or that cause gear surface temperatures above 40°C), the state of lubricant degradation should be checked and the lubricant replaced earlier as necessary.

<Nabtesco-specified lubricant>

Brand	RVGREASE™ LB00
Manufacturer	Nabtesco
Ambient temperature	-10 to 40°C

- It is recommended that the running-in operation is performed.

Installation of the reduction gear and mounting it to the output shaft

When installing the reduction gear and mounting it to the output shaft, use hexagonal socket head cap screw and tighten to the torque, as specified below, in order to satisfy the momentary maximum allowable torque, which is noted in the rating table.

Employment of the Belleville spring washer is recommended to prevent the bolt from loosening and protect the bolt seat surface from flaws.

<Bolt tightening torque and tightening force>

Hexagon socket head cap screw nominal size x pitch (mm)	Tightening torque (Nm)	Tightening force F (N)	Bolt specification
M5 × 0.8	9.01 ± 0.49	9,310	Hexagon socket head cap screw JIS B 1176 : 2006 Strength class JIS B 1051 : 2000 12.9 Thread JIS B 0209 : 2001 6 g
M6 × 1.0	15.6 ± 0.78	13,180	
M8 × 1.25	37.2 ± 1.86	23,960	
M10 × 1.5	73.5 ± 3.43	38,080	
M12 × 1.75	129 ± 6.37	55,100	
M16 × 2.0	319 ± 15.9	103,410	
M20 × 0.5	493 ± 24.6	132,170	

Note: 1. The tightening torque values listed are for steel or cast iron material.

2. If softer material, such as aluminum or stainless, is used, limit the tightening torque. Also pay attention to the system requirements of the transmission torque and the allowable moment.

<Calculation of allowable transmission torque of bolts>

$T = F \times \frac{D}{2} \times \mu \times n \times 10^{-3}$	T	Allowable transmission torque by tightening bolt (Nm)
	F	Bolt tightening force (N)
	D	Bolt mounting P.C.D. (mm)
	μ	Friction factor μ=0.15: When lubricant remains on the mating face. μ=0.20: When lubricant is removed from the mating face.
	n	Number of bolts (pcs.)

<Serrated lock washer for hexagonal socket head cap screw>

Name: Belleville spring washer (made by Heiwa Hatsujyo Industry Co., Ltd.)

Corporation symbol: CDW-H

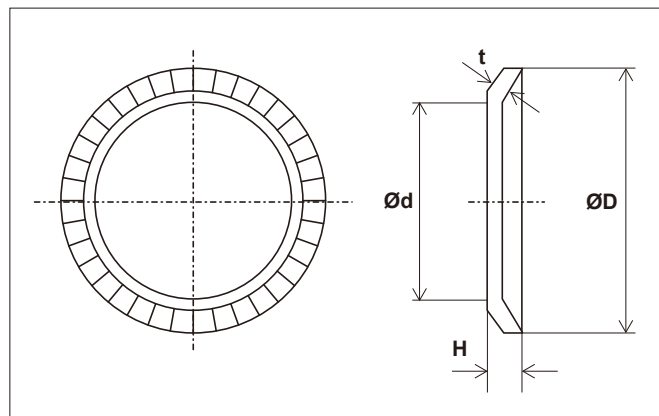
CDW-L (only for M5)

Material: S50C to S70C

Hardness: HRC 40 to 48

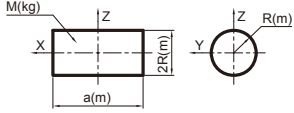
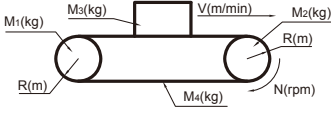
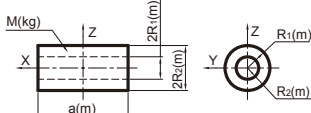
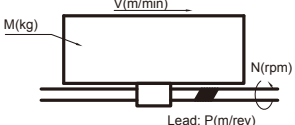
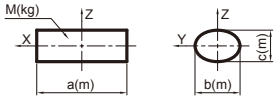
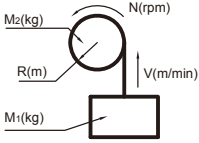
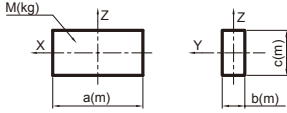
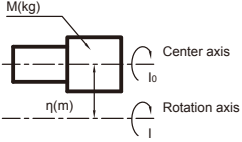
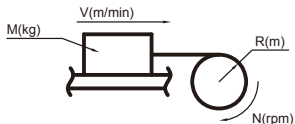
(Unit: mm)

Nominal size	ID and OD of Belleville spring washer		t	H
	Ød	ØD		
5	5.25	8.5	0.6	0.85
6	6.4	10	1.0	1.25
8	8.4	13	1.2	1.55
10	10.6	16	1.5	1.9
12	12.6	18	1.8	2.2
16	16.9	24	2.3	2.8
20	20.9	30	2.8	3.55



Note: When using any equivalent washer, select it with special care given to its outside diameter D.

Inertia moment calculation formula

Shape	I(kg, m ²)	Shape	I(kg, m ²)
<p>1. Cylinder solid</p> 	$I_x = \frac{1}{2} MR^2$ $I_y = \frac{1}{4} M \left(R^2 + \frac{R^2}{3} \right)$ $I_z = I_y$	<p>6. Horizontal movement by conveyor</p> 	$I = \left(\frac{M_1 + M_2}{2} + M_3 + M_4 \right) \times R^2$
<p>2. Cylinder hollow</p> 	$I_x = \frac{1}{2} M (R_1^2 + R_2^2)$ $I_y = \frac{1}{4} M \left\{ (R_1^2 + R_2^2) + \frac{a^2}{3} \right\}$ $I_z = I_y$	<p>7. Horizontal movement by lead screw</p> 	$I = \frac{M}{4} \left(\frac{V}{\pi \times N} \right)^2 = \frac{M}{4} \left(\frac{P}{\pi} \right)^2$
<p>3. Oval cross section</p> 	$I_x = \frac{1}{16} M (b^2 + c^2)$ $I_y = \frac{1}{4} M \left(\frac{c^2}{4} + \frac{a^2}{3} \right)$ $I_z = \frac{1}{4} M \left(\frac{b^2}{4} + \frac{a^2}{3} \right)$	<p>8. Up/down movement by hoist</p> 	$I = M_1 R^2 + \frac{1}{2} M_2 R^2$
<p>4. Rectangle</p> 	$I_x = \frac{1}{12} M (b^2 + c^2)$ $I_y = \frac{1}{12} M (a^2 + c^2)$ $I_z = \frac{1}{12} M (a^2 + b^2)$	<p>9. Parallel axis theorem</p> 	$I = I_0 + M \eta^2$ <p>I_0 : Moment of inertia of any object about an axis through its center of mass</p> <p>I : Moment of inertia about any axis parallel to the axis through its center of mass</p> <p>η : Perpendicular distance between the above two axes</p>
<p>5. General application</p> 	$I = \frac{M}{4} \left(\frac{V}{\pi \times N} \right)^2 = MR^2$		

Troubleshooting checksheet

Check the following items in the case of trouble like abnormal noise, vibration, or malfunctions. When it is not possible to resolve an abnormality even after verifying the corresponding checkpoint, obtain a “Reduction Gear Investigation Request Sheet” from the download menu in our Website, fill in the necessary information, and contact our Customer Support Center.

[URL]: <https://precision.nabtesco.com/>

The trouble started immediately after installation of the reduction gear

Checked	Checkpoint
	Make sure the equipment’s drive section (the motor side or the reduction gear output surface side) is not interfering with another component.
	Make sure the equipment is not under a greater than expected load (torque, moment load, thrust load).
	Make sure the required number of bolts are tightened uniformly with the specified tightening torque.
	Make sure the reduction gear, motor, or your company’s components are not installed at a slant.
	Make sure the specified amount of Nabtesco-specified lubricant has been added.
	Make sure there are no problems with the motor’s parameter settings.
	Make sure there are no components resonating in unity.
	Make sure the input gear is appropriately installed on the motor.
	Make sure there is no damage to the surface of the input gear teeth.
	Make sure the input gear specifications (precision, number of teeth, module, shift coefficient, dimensions of each part) are correct.
	Make sure the flange and other components are designed and manufactured with the correct tolerances.

The trouble started during operation

Checked	Checkpoint
	Make sure the equipment has not been in operation longer than the calculated service life.
	Make sure the surface temperature of the reduction gear is not higher than normal during operation.
	Make sure the operation conditions have not been changed.
	Make sure there are no loose or missing bolts.
	Make sure the equipment is not under a greater than expected load (torque, moment load, thrust load).
	Make sure the equipment’s drive section is not interfering with another component.
	Make sure an oil leak is not causing a drop in the amount of lubricant.
	Make sure there are no external contaminants in the gear, such as moisture or metal powder.
	Make sure no lubricant other than that specified is being used.

Introduction of our website

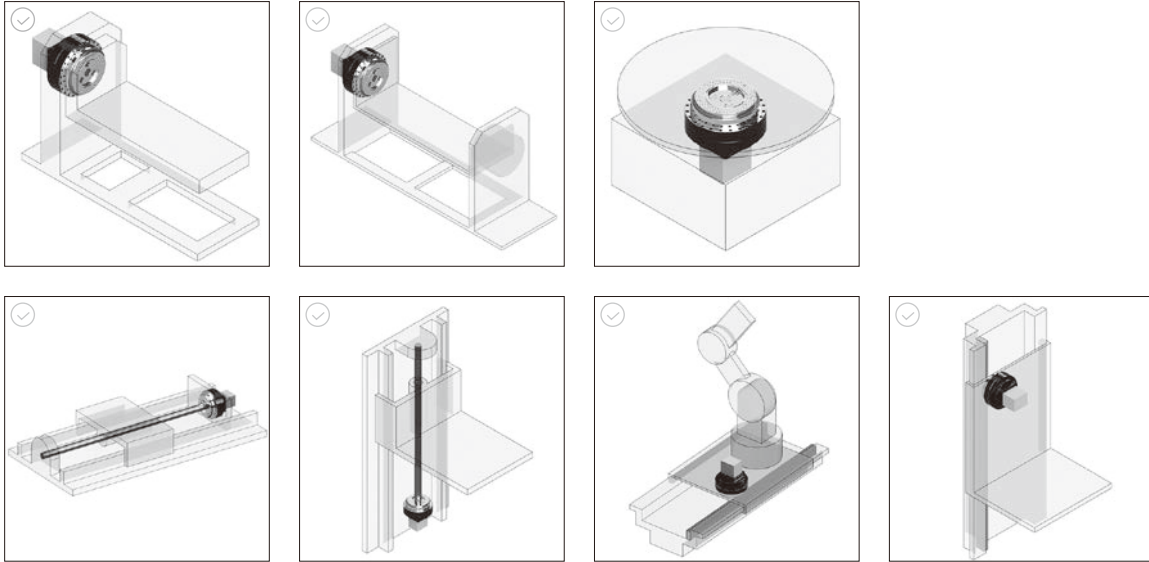
Includes a product selection tool, along with downloadable 2D/3D CAD drawings, product catalogs and operation manuals. (registration required)

URL : <https://precision.nabtesco.com/en/>

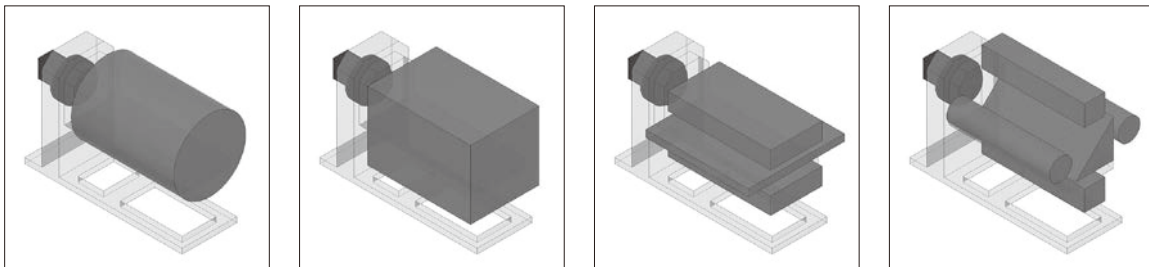
The screenshot displays the Nabtesco RV website interface. At the top left is the Nabtesco RV logo with the tagline "Precision Equipment Company". To the right are links for "Sign in / Sign up" and "Select Region". A horizontal navigation menu includes "Product", "Product Selection", "Download", "Application", "Company", "News", "Event", and "Nabtesco Corporation". The main banner features the text "PRODUCT SEARCH Choose the Best Product" and three images of different gearhead models. Below the banner, a "Download" button is positioned above three categories: "2D/3D CAD Drawings", "Product Catalogs", and "Operation Manuals". Each category is illustrated with representative images: technical drawings and a 3D model for CAD, various catalog covers for different product lines, and several operation manual pages.

Product Selection (Detailed Product Selection)

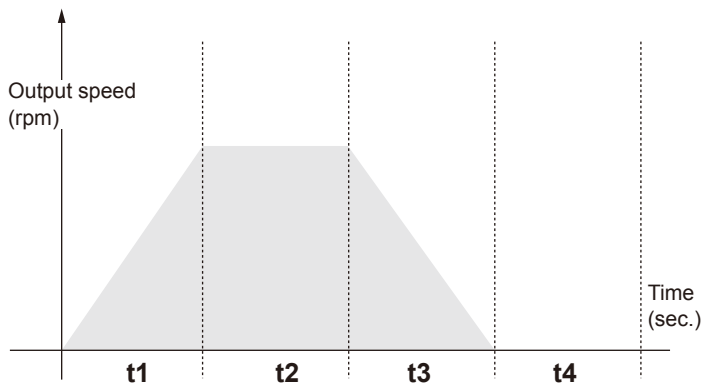
Select your application



Input load conditions (size, weight, center of gravity, etc.)



Input cycle conditions
(Indexing angle, Indexing time, etc.)



Reference Report

A suitable model & its life time for your application

▶ Area In North and South America / In Europe and Africa / In Asia and others
 ▶ FAX USA: / Germany: / Osaka Sales Office:
 1-248-553-3070 / 49-211-364677 / 81-6-6341-7182

Order Information Sheet (Please complete the form below and send it with your order.) Date: _____

Company Name: _____

Dept. Name: _____

Name: _____

E-mail: _____

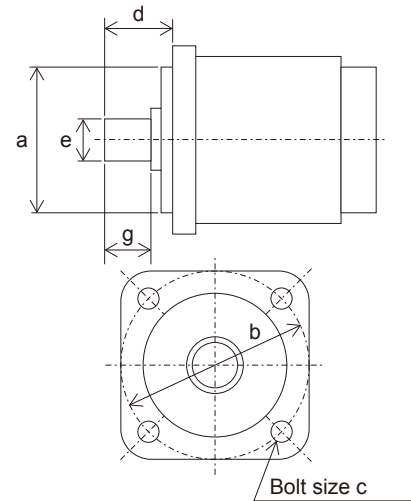
TEL. - - _____

FAX. - - _____

◆ System configuration and selected motor

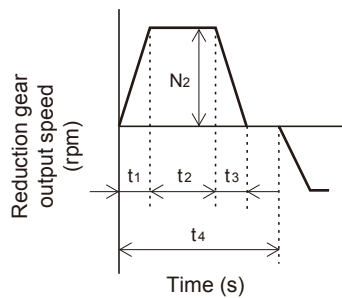
We would appreciate if you could provide your system configuration drawing that helps us to understand the speed, constant torque, and load inertia moment of the output shaft for the reduction gear.

System configuration



Motor model		a	Motor mounting pilot diameter (mm)	
P	Motor rated output (KW)	b	Motor mounting bolt P.C.D (mm)	
T_{M0}	Motor rated torque (Nm)	c	Motor mounting bolt size (mm)	
T_{M1}	Motor momentary maximum torque (Nm)	d	Motor shaft length (mm)	
N_{M0}	Motor rated speed (rpm)	e	Motor shaft diameter (mm)	
		g	Motor shaft effective length (mm)	

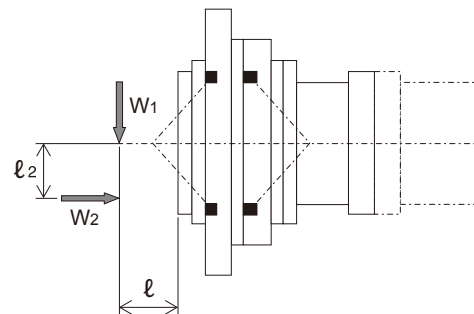
◆ Operation pattern (output shaft for the reduction gear)



t₁	Acceleration time (s)	
t₂	Constant speed operation time (s)	
t₃	Deceleration time (s)	
t₄	One operation cycle time (s)	
Q_{1cy}	Number of operation cycles per day (times)	
Q₂	Number of operating days per year (days)	
N₂	Constant speed (rpm)	
T₁	Max. torque for startup (Nm)	
T₂	Constant torque (Nm)	
T₃	Max. torque for stop (Nm)	

Please inform us of whether a key is attached or not, and when it is attached, also inform us of its dimensions.

◆ External load (output shaft for the reduction gear)



W₁	Radial load (N)	
l	Distance to the point of radial load application (mm)	
W₂	Thrust load (N)	
l₂	Distance to the point of thrust load application (mm)	

Warranty

1. In the case where Nabtesco confirms that a defect of the Product was caused due to Nabtesco's design or manufacture within the Warranty Period of the Product, Nabtesco shall repair or replace such defective Product at its cost. The Warranty Period shall be from the delivery of the Product by Nabtesco or its distributor to you ("Customer") until the end of one (1) year thereafter, or the end of two thousand (2,000) hours from the initial operation of Customer's equipment incorporating the Product at end user's production line, whichever comes earlier.
 2. Unless otherwise expressly agreed between the parties in writing, the warranty obligations for the Product shall be limited to the repair or replacement set forth herein. OTHER THAN AS PROVIDED HEREIN, THERE ARE NO WARRANTIES ON THE PRODUCT, EXPRESS OR IMPLIED, INCLUDING WITHOUT LIMITATION ANY IMPLIED WARRANTY OF MERCHANTABILITY OR FITNESS FOR A PARTICULAR PURPOSE.
 3. The warranty obligation under the Section 1 above shall not apply if:
 - a) the defect was caused due to the use of the Product deviated from the Specifications or the working conditions provided by Nabtesco;
 - b) the defect was caused due to exposure to foreign substances or contamination (dirt, sand etc.)
 - c) lubricant or spare part other than the ones recommended by Nabtesco was used in the Product;
 - d) the Product was used in an unusual environment (such as high temperature, high humidity, a lot of dust, corrosive/volatile/inflammable gas, pressurized/depressurized air, under water/liquid or others except for those expressly stated in the Specifications);
 - e) the Product was disassembled, re-assembled, repaired or modified by anyone other than Nabtesco;
 - f) the defect was caused due to the equipment into which the Product was installed;
 - g) the defect was caused due to an accident such as fire, earthquake, lightning, flood or others; or
 - h) the defect was due to any cause other than the design or manufacturing of the Product.
 4. The warranty period for the repaired/replaced Product/part under the Section 1 above shall be the rest of the initial Warranty Period of the defective Product subjected to such repair/replace.
-

Nabtesco®

Nabtesco Corporation

Europe and Africa

Nabtesco Precision Europe GmbH

Tiefenbroicher Weg 15, 40472 Düsseldorf, Germany
 TEL: +49-211-173790 FAX: +49-211-364677
 E-MAIL: info@nabtesco.de www.nabtesco.de



North and South America

Nabtesco Motion Control Inc.

23976 Freeway Park Drive, Farmington Hills, MI 48335, USA
 TEL: +1-248-553-3020 FAX: +1-248-553-3070
 E-MAIL: engineer@nabtescomotioncontrol.com www.nabtescomotioncontrol.com



China

Shanghai Nabtesco Motion-equipment Co., Ltd.

Room 1706, No. 388 Fu Shan Road, Pudong New Area, Shanghai 200122, China
 TEL: +86-21-3363-2200 FAX: +86-21-3363-2655
 E-MAIL: info@nabtesco-motion.cn www.nabtesco-motion.cn



India

Nabtesco India Private Limited

Site No.485/9, 14th Cross, Peenya Industrial Area, 4th Phase, Bangalore -560 058 Karnataka India
 TEL: +91-80-4123-4901 FAX: +91-80-4123-4903
 E-MAIL: Nti_pn@nabtesco.co.in www.nabtesco.co.in



Asia and others

Nabtesco Corporation

Nagoya Sales Office

9th Fl, Nagoya 2nd Saitama Bldg., 2-28 Meieki 4-chome, Nakamura-ku, Nagoya 450-0002, Japan
 TEL:+81-52-582-2981 FAX:+81-52-582-2987



Customer Support Center

594 Icchoda, Katada-cho, Tsu, Mie 514-8533, Japan
 TEL: +81-59-237-4672 FAX: +81-59-237-4697
 E-MAIL: P_Information@nabtesco.com <https://precision.nabtesco.com/ja/>

- Nabtesco, RV, and RVGREASE are registered trademarks or trademarks of Nabtesco Corporation.
- Specifications are subject to change without notice.
- The PDF data of this catalog can be downloaded from the following website.
<https://precision.nabtesco.com/>
 If any addition or modification is made to the published information, the PDF data may be updated before the printed catalog.
 Due to this, please note that some contents of the PDF data may be changed or revised from those in this catalog.
- Unauthorized reprinting, reproduction, copying, or translation of this catalog in whole or in part is strictly prohibited.
- ©2013 Nabtesco Corporation. All rights reserved.

